

COMPREHENSIVE SERVICES

We offer competitive repair and calibration services, as well as easily accessible documentation and free downloadable resources.

SELL YOUR SURPLUS

We buy new, used, decommissioned, and surplus parts from every NI series. We work out the best solution to suit your individual needs.

 Sell For Cash  Get Credit  Receive a Trade-In Deal

OBSOLETE NI HARDWARE IN STOCK & READY TO SHIP

We stock **New**, **New Surplus**, **Refurbished**, and **Reconditioned** NI Hardware.



Bridging the gap between the manufacturer and your legacy test system.

 1-800-915-6216

 www.apexwaves.com

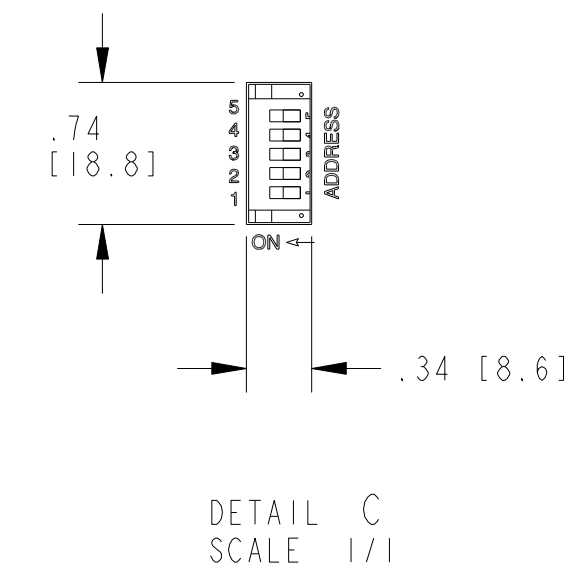
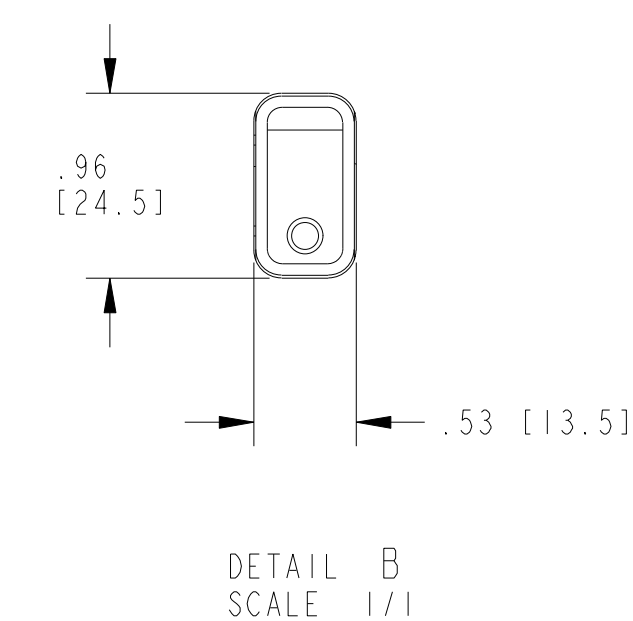
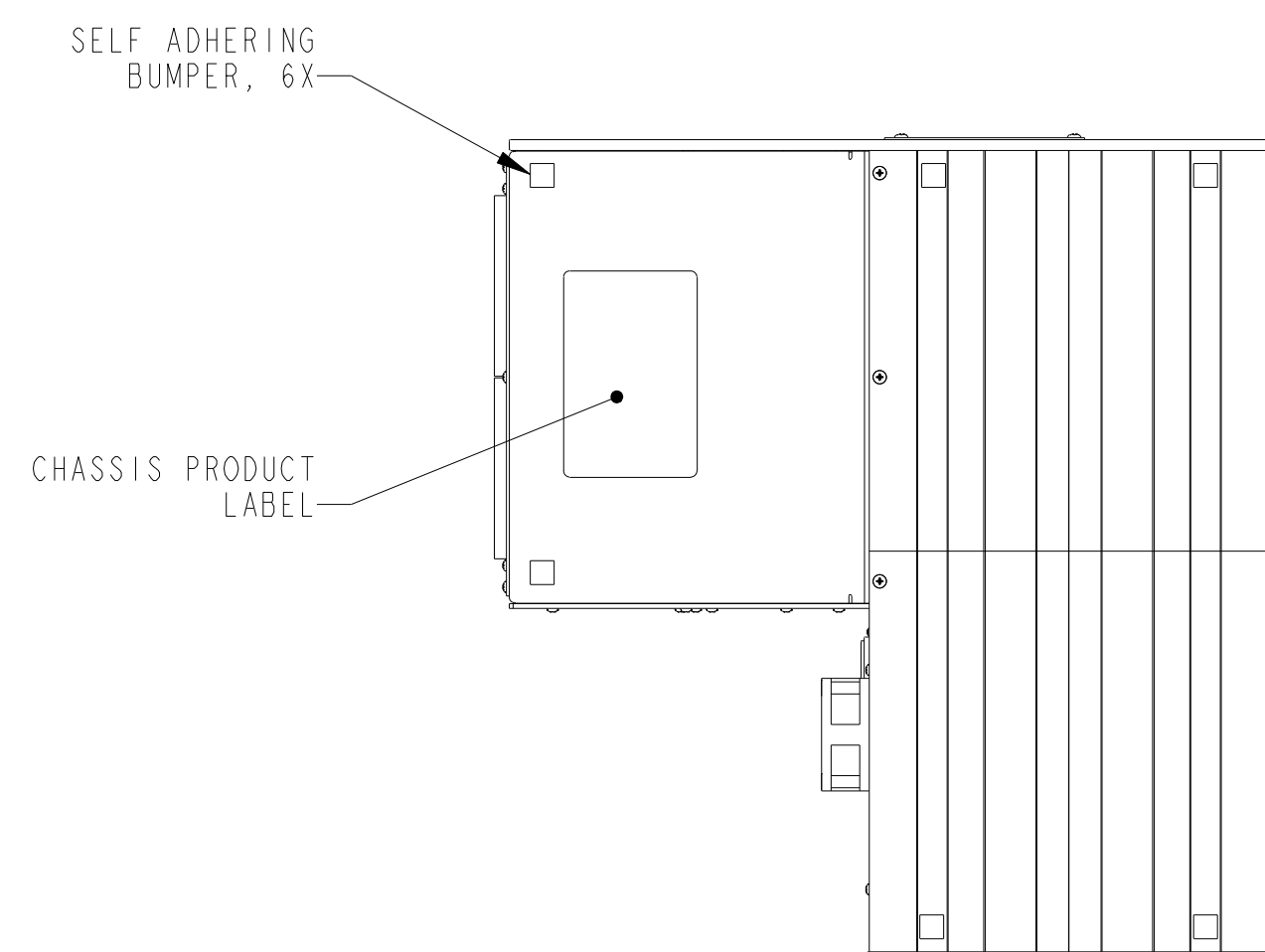
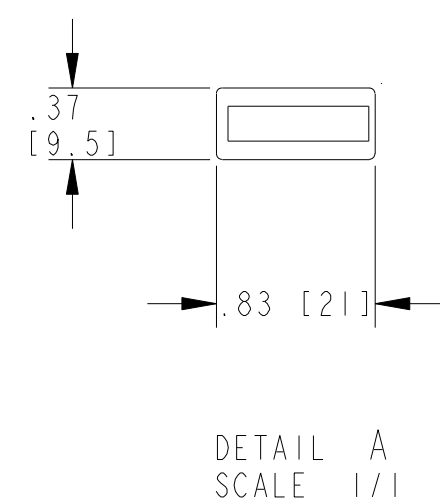
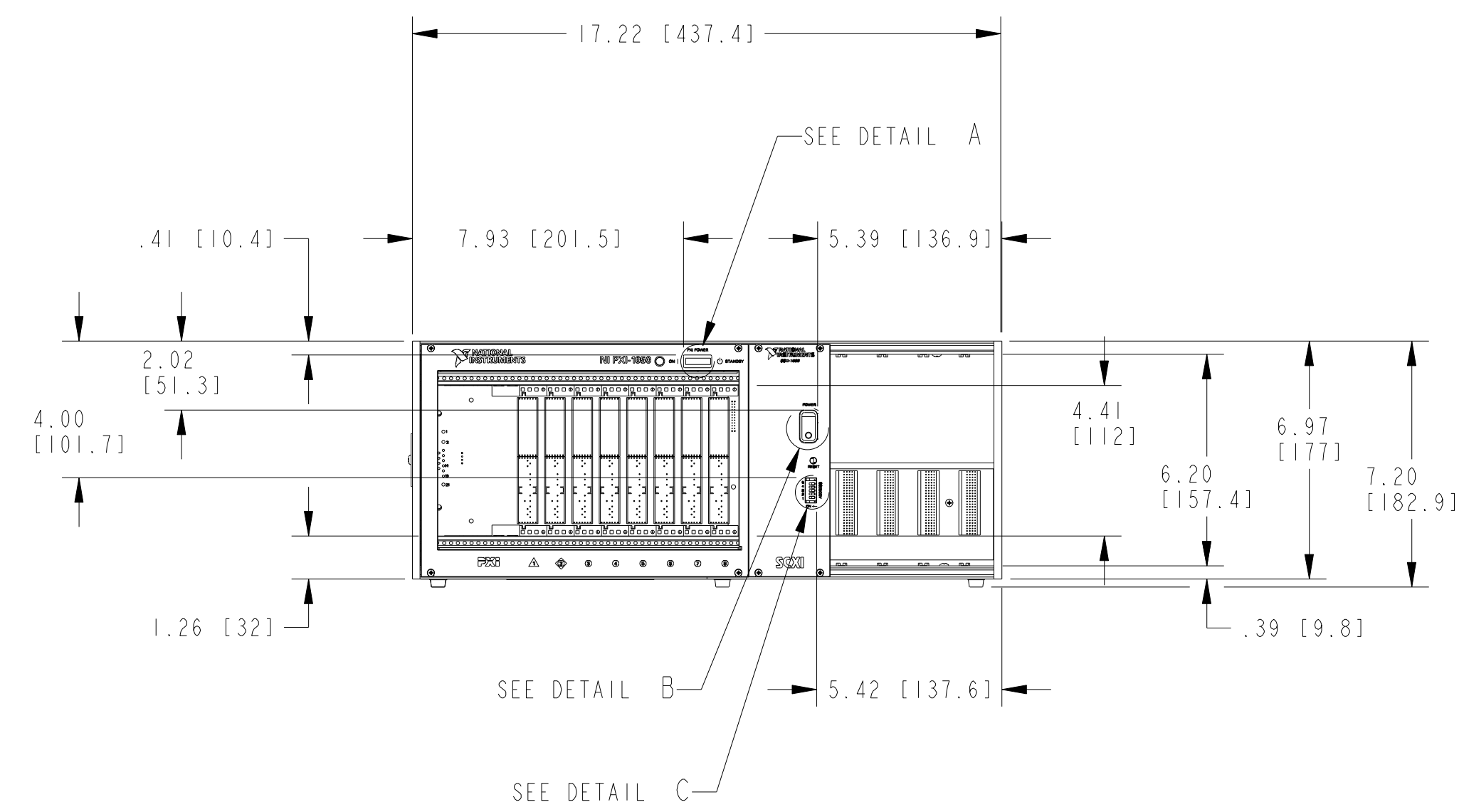
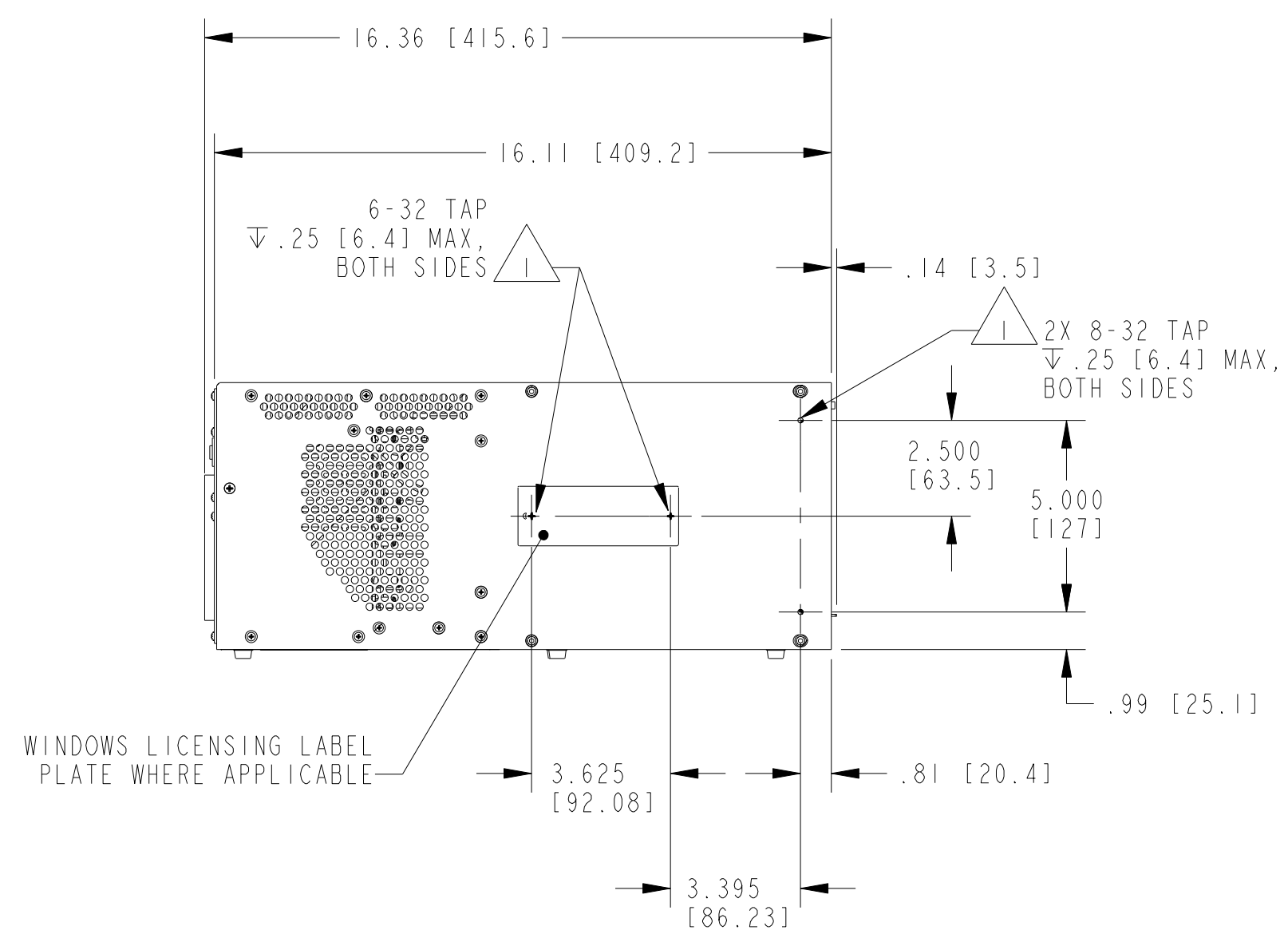
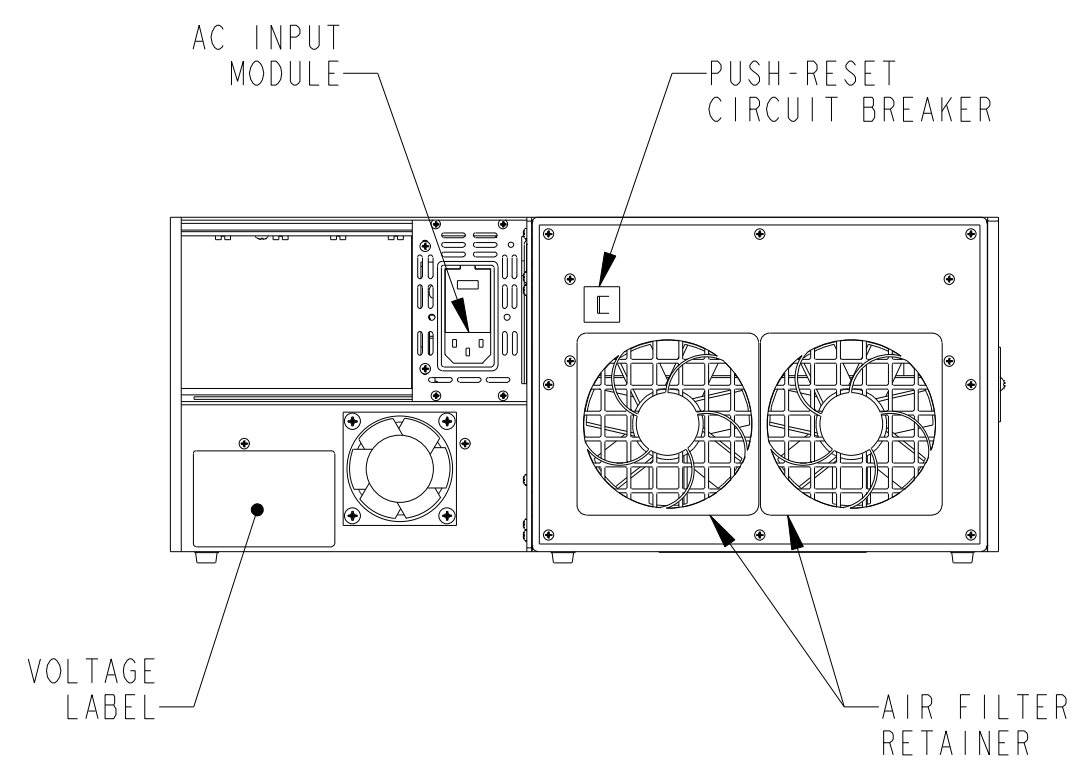
 sales@apexwaves.com

All trademarks, brands, and brand names are the property of their respective owners.

Request a Quote

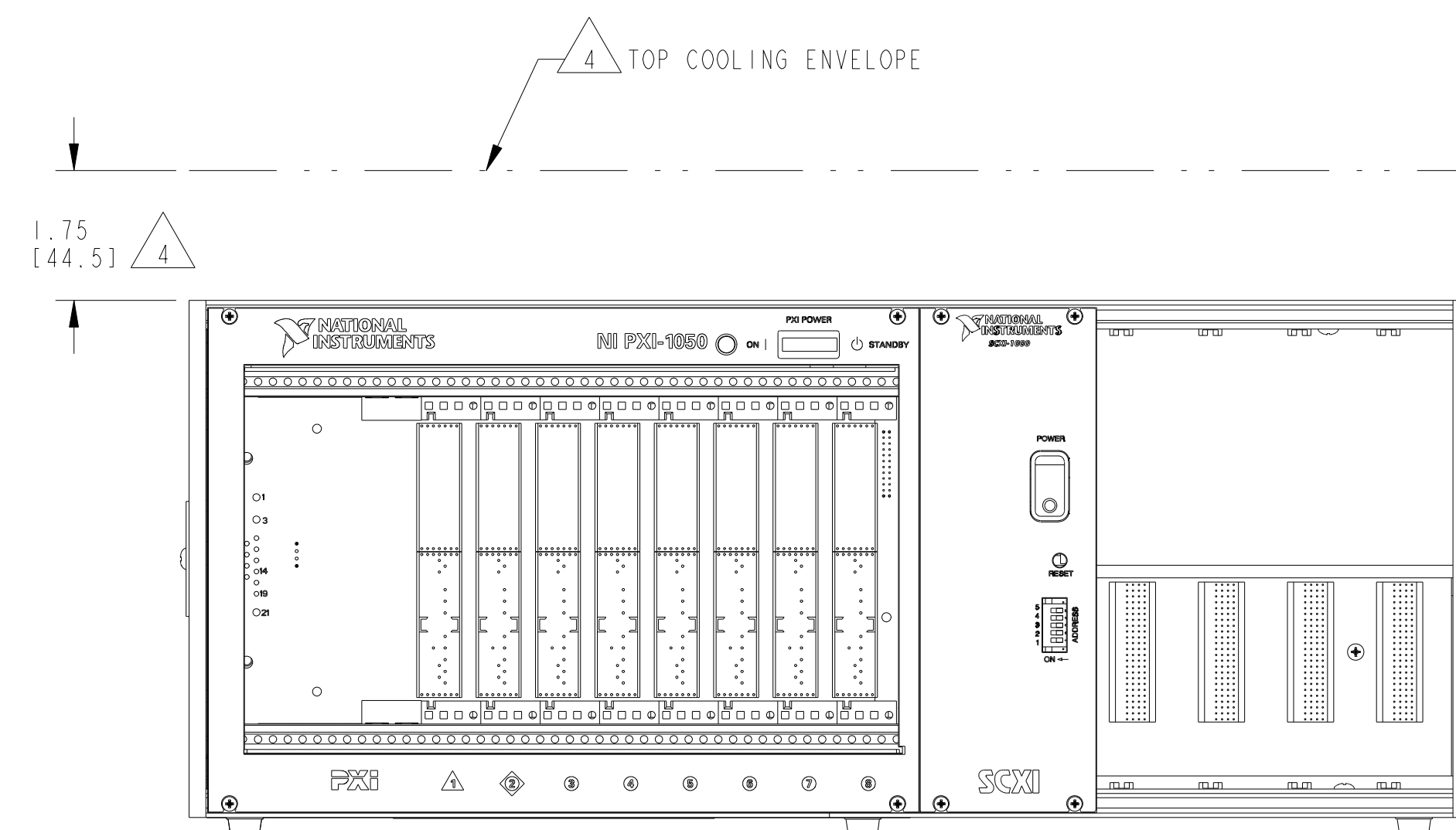
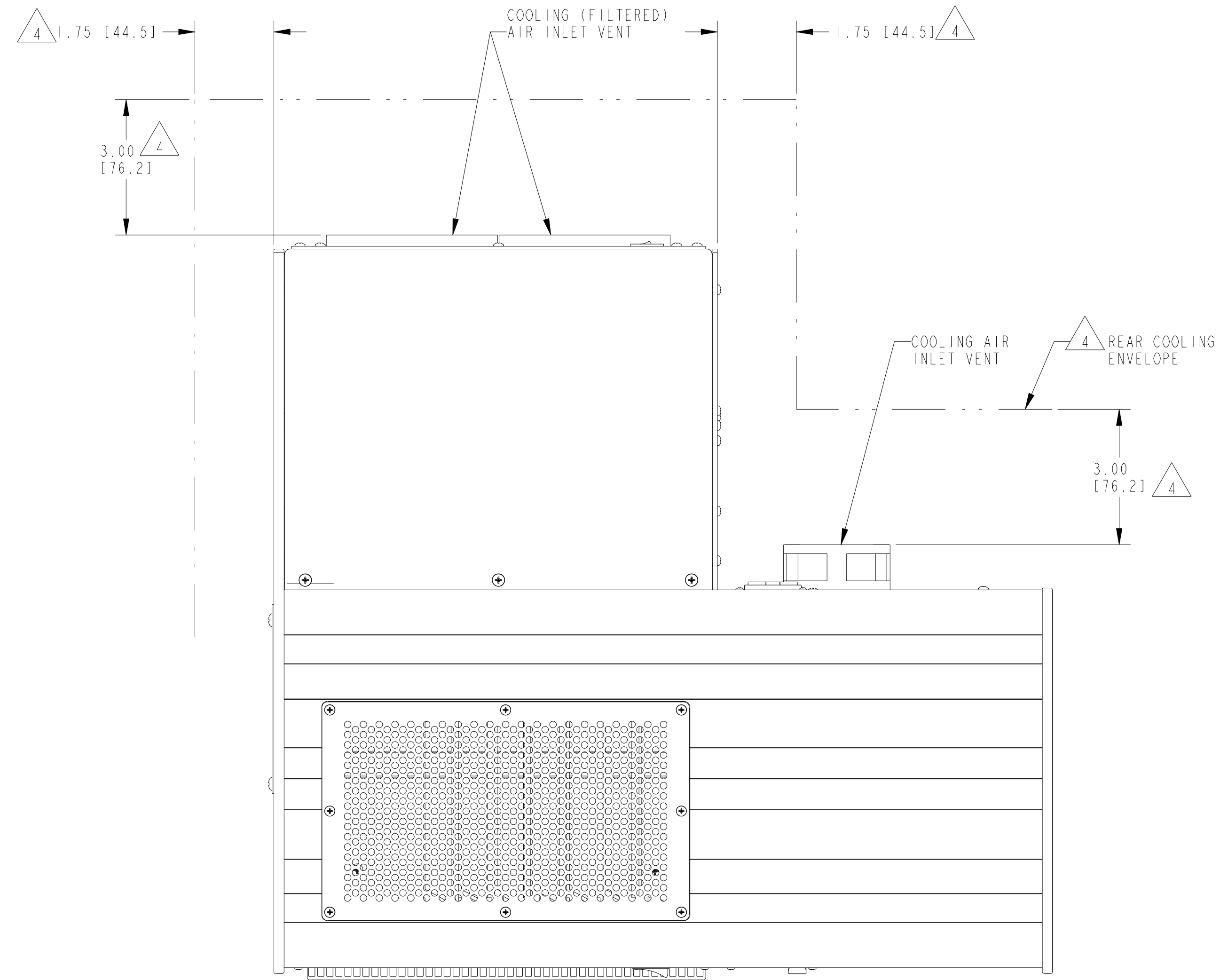
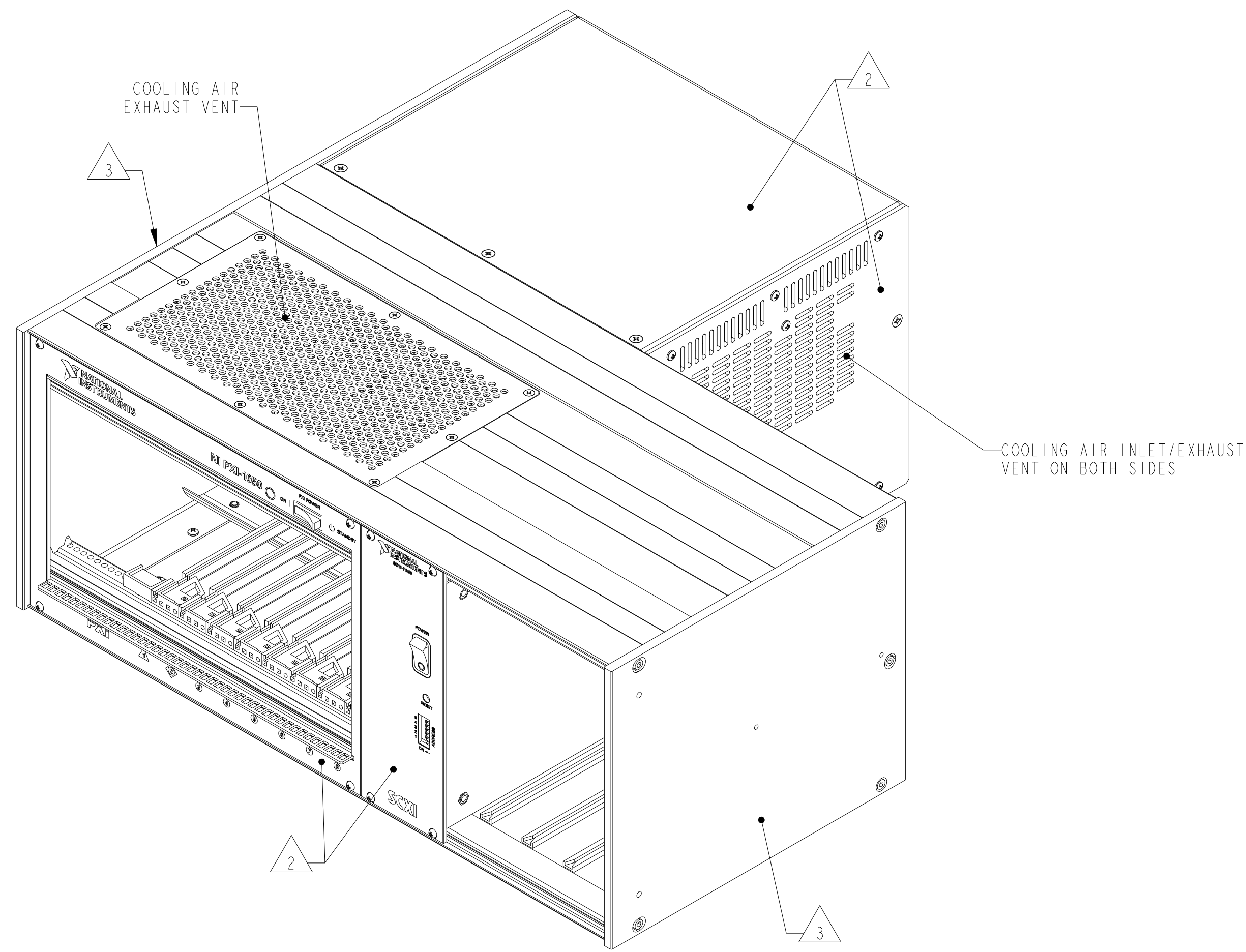
 **CLICK HERE**

PXI-1050



7. REFER TO PRODUCT MANUAL ON NI.COM FOR MORE DETAILS.
4. USER MUST PROVIDE MINIMUM COOLING/VENTING CLEARANCE AS SHOWN. FAILURE TO PROVIDE THIS CLEARANCE MAY RESULT IN CHASSIS OR MODULE THERMAL RELATED FAILURES.
3. NI COMPASS BLUE COLOR.
2. NI COMPASS WHITE COLOR.
1. THERE ARE FOUR HOLES ON EACH SIDE OF CHASSIS FOR MOUNTING PURPOSES.
- NOTES: UNLESS OTHERWISE SPECIFIED.

UNLESS OTHERWISE SPECIFIED, DIMENSIONS ARE IN INCHES AND [MILLIMETERS].	AUSTIN, TEXAS TITLE CUSTOMER DRAWING, CHASSIS ASSEMBLY, PXI-1050
DO NOT SCALE DRAWING THIRD ANGLE PROJECTION	



COOLING INFORMATION

SIZE	CODE	IDENT NO.	MM/DD/YYYY
D	7U296		11/06/2007
SCALE: 1/2		SHEET 2 OF 2	