

## COMPREHENSIVE SERVICES

We offer competitive repair and calibration services, as well as easily accessible documentation and free downloadable resources.

## SELL YOUR SURPLUS

We buy new, used, decommissioned, and surplus parts from every NI series. We work out the best solution to suit your individual needs.

 Sell For Cash    Get Credit    Receive a Trade-In Deal

## OBSOLETE NI HARDWARE IN STOCK & READY TO SHIP

We stock **New**, **New Surplus**, **Refurbished**, and **Reconditioned** NI Hardware.



*Bridging the gap between the manufacturer and your legacy test system.*

 1-800-915-6216

 [www.apexwaves.com](http://www.apexwaves.com)

 [sales@apexwaves.com](mailto:sales@apexwaves.com)

*All trademarks, brands, and brand names are the property of their respective owners.*

**Request a Quote**

 **CLICK HERE**

**PXI-PCI8360**

# MXI™-Express x1

## MXI-Express x1 Series User Manual

*MXI-Express x1 Multisystem eXtension Interface for PCI, PCI Express, CompactPCI/CompactPCI Express, ExpressCard, and PXI/PXI Express Bus Computers*

*NI PCI-8361*

*NI PCI-8366*

*NI PCIe-8361*

*NI PCIe-8362*

*NI PXI-8360*

*NI PXI-8361*

*NI PXI-8364*

*NI PXI-8366*

*NI PXI-8367*

*NI PXIe-8360*

*NI PXIe-8364*

*NI ExpressCard-8360*

## **Worldwide Technical Support and Product Information**

[ni.com](http://ni.com)

## **Worldwide Offices**

Visit [ni.com/niglobal](http://ni.com/niglobal) to access the branch office Web sites, which provide up-to-date contact information, support phone numbers, email addresses, and current events.

## **National Instruments Corporate Headquarters**

11500 North Mopac Expressway Austin, Texas 78759-3504 USA Tel: 512 683 0100

For further support information, refer to the *Technical Support and Professional Services* appendix. To comment on National Instruments documentation, refer to the National Instruments Web site at [ni.com/info](http://ni.com/info) and enter the Info Code `feedback`.

# Important Information

---

## Warranty

The NI PCI-8361/8366, NI PCIe-8361/8362, NI PXI-8360/8361/8364/8366/8367, NI PXIe-8360/8364, and NI ExpressCard-8360 are warranted against defects in materials and workmanship for a period of one year from the date of shipment, as evidenced by receipts or other documentation. National Instruments will, at its option, repair or replace equipment that proves to be defective during the warranty period. This warranty includes parts and labor.

The media on which you receive National Instruments software are warranted not to fail to execute programming instructions, due to defects in materials and workmanship, for a period of 90 days from date of shipment, as evidenced by receipts or other documentation. National Instruments will, at its option, repair or replace software media that do not execute programming instructions if National Instruments receives notice of such defects during the warranty period. National Instruments does not warrant that the operation of the software shall be uninterrupted or error free.

A Return Material Authorization (RMA) number must be obtained from the factory and clearly marked on the outside of the package before any equipment will be accepted for warranty work. National Instruments will pay the shipping costs of returning to the owner parts which are covered by warranty.

National Instruments believes that the information in this document is accurate. The document has been carefully reviewed for technical accuracy. In the event that technical or typographical errors exist, National Instruments reserves the right to make changes to subsequent editions of this document without prior notice to holders of this edition. The reader should consult National Instruments if errors are suspected. In no event shall National Instruments be liable for any damages arising out of or related to this document or the information contained in it.

EXCEPT AS SPECIFIED HEREIN, NATIONAL INSTRUMENTS MAKES NO WARRANTIES, EXPRESS OR IMPLIED, AND SPECIFICALLY DISCLAIMS ANY WARRANTY OF MERCHANTABILITY OR FITNESS FOR A PARTICULAR PURPOSE. CUSTOMER'S RIGHT TO RECOVER DAMAGES CAUSED BY FAULT OR NEGLIGENCE ON THE PART OF NATIONAL INSTRUMENTS SHALL BE LIMITED TO THE AMOUNT THEREOF PAID BY THE CUSTOMER. NATIONAL INSTRUMENTS WILL NOT BE LIABLE FOR DAMAGES RESULTING FROM LOSS OF DATA, PROFITS, USE OF PRODUCTS, OR INCIDENTAL OR CONSEQUENTIAL DAMAGES, EVEN IF ADVISED OF THE POSSIBILITY THEREOF. This limitation of the liability of National Instruments will apply regardless of the form of action, whether in contract or tort, including negligence. Any action against National Instruments must be brought within one year after the cause of action accrues. National Instruments shall not be liable for any delay in performance due to causes beyond its reasonable control. The warranty provided herein does not cover damages, defects, malfunctions, or service failures caused by owner's failure to follow the National Instruments installation, operation, or maintenance instructions; owner's modification of the product; owner's abuse, misuse, or negligent acts; and power failure or surges, fire, flood, accident, actions of third parties, or other events outside reasonable control.

## Copyright

Under the copyright laws, this publication may not be reproduced or transmitted in any form, electronic or mechanical, including photocopying, recording, storing in an information retrieval system, or translating, in whole or in part, without the prior written consent of National Instruments Corporation.

National Instruments respects the intellectual property of others, and we ask our users to do the same. NI software is protected by copyright and other intellectual property laws. Where NI software may be used to reproduce software or other materials belonging to others, you may use NI software only to reproduce materials that you may reproduce in accordance with the terms of any applicable license or other legal restriction.

## Trademarks

LabVIEW, National Instruments, NI, ni.com, the National Instruments corporate logo, and the Eagle logo are trademarks of National Instruments Corporation. Refer to the *Trademark Information* at [ni.com/trademarks](http://ni.com/trademarks) for other National Instruments trademarks.

The ExpressCard™ word mark and logos are owned by PCMCIA and use of such marks by National Instruments is under license. Other product and company names mentioned herein are trademarks or trade names of their respective companies.

Members of the National Instruments Alliance Partner Program are business entities independent from National Instruments and have no agency, partnership, or joint-venture relationship with National Instruments.

## Patents

For patents covering National Instruments products/technology, refer to the appropriate location: **Help»Patents** in your software, the `patents.txt` file on your media, or the *National Instruments Patent Notice* at [ni.com/patents](http://ni.com/patents).

## Export Compliance Information

Refer to the *Export Compliance Information* at [ni.com/legal/export-compliance](http://ni.com/legal/export-compliance) for the National Instruments global trade compliance policy.

## WARNING REGARDING USE OF NATIONAL INSTRUMENTS PRODUCTS

(1) NATIONAL INSTRUMENTS PRODUCTS ARE NOT DESIGNED WITH COMPONENTS AND TESTING FOR A LEVEL OF RELIABILITY SUITABLE FOR USE IN OR IN CONNECTION WITH SURGICAL IMPLANTS OR AS CRITICAL COMPONENTS IN ANY LIFE SUPPORT SYSTEMS WHOSE FAILURE TO PERFORM CAN REASONABLY BE EXPECTED TO CAUSE SIGNIFICANT INJURY TO A HUMAN.

(2) IN ANY APPLICATION, INCLUDING THE ABOVE, RELIABILITY OF OPERATION OF THE SOFTWARE PRODUCTS CAN BE IMPAIRED BY ADVERSE FACTORS, INCLUDING BUT NOT LIMITED TO FLUCTUATIONS IN ELECTRICAL POWER SUPPLY, COMPUTER HARDWARE MALFUNCTIONS, COMPUTER OPERATING SYSTEM SOFTWARE FITNESS, FITNESS OF COMPILERS AND DEVELOPMENT SOFTWARE USED TO DEVELOP AN APPLICATION, INSTALLATION ERRORS, SOFTWARE AND HARDWARE COMPATIBILITY PROBLEMS, MALFUNCTIONS OR FAILURES OF ELECTRONIC MONITORING OR CONTROL DEVICES, TRANSIENT FAILURES OF ELECTRONIC SYSTEMS (HARDWARE AND/OR SOFTWARE), UNANTICIPATED USES OR MISUSES, OR ERRORS ON THE PART OF THE USER OR APPLICATIONS DESIGNER (ADVERSE FACTORS SUCH AS THESE ARE HEREAFTER COLLECTIVELY TERMED "SYSTEM FAILURES"). ANY APPLICATION WHERE A SYSTEM FAILURE WOULD CREATE A RISK OF HARM TO PROPERTY OR PERSONS (INCLUDING THE RISK OF BODILY INJURY AND DEATH) SHOULD NOT BE RELIANT SOLELY UPON ONE FORM OF ELECTRONIC SYSTEM DUE TO THE RISK OF SYSTEM FAILURE. TO AVOID DAMAGE, INJURY, OR DEATH, THE USER OR APPLICATION DESIGNER MUST TAKE REASONABLY PRUDENT STEPS TO PROTECT AGAINST SYSTEM FAILURES,

INCLUDING BUT NOT LIMITED TO BACK-UP OR SHUT DOWN MECHANISMS. BECAUSE EACH END-USER SYSTEM IS CUSTOMIZED AND DIFFERS FROM NATIONAL INSTRUMENTS' TESTING PLATFORMS AND BECAUSE A USER OR APPLICATION DESIGNER MAY USE NATIONAL INSTRUMENTS PRODUCTS IN COMBINATION WITH OTHER PRODUCTS IN A MANNER NOT EVALUATED OR CONTEMPLATED BY NATIONAL INSTRUMENTS, THE USER OR APPLICATION DESIGNER IS ULTIMATELY RESPONSIBLE FOR VERIFYING AND VALIDATING THE SUITABILITY OF NATIONAL INSTRUMENTS PRODUCTS WHENEVER NATIONAL INSTRUMENTS PRODUCTS ARE INCORPORATED IN A SYSTEM OR APPLICATION. INCLUDING, WITHOUT LIMITATION, THE APPROPRIATE DESIGN, PROCESS AND SAFETY LEVEL OF SUCH SYSTEM OR APPLICATION.

# Electromagnetic Compatibility Guidelines

---

This product was tested and complies with the regulatory requirements and limits for electromagnetic compatibility (EMC) as stated in the product specifications. These requirements and limits are designed to provide reasonable protection against harmful interference when the product is operated in its intended operational electromagnetic environment. There is no guarantee that interference will not occur in a particular installation. To minimize the potential for the product to cause interference to radio and television reception or to experience unacceptable performance degradation, install and use this product in strict accordance with the instructions in the product documentation.

The following statements contain important information needed before installing and using this product:



**Caution** This product is intended for use in industrial locations. As a result, this product may cause interference if used in residential areas. Such use must be avoided unless the user takes special measures to reduce electromagnetic emissions to prevent interference to the reception of radio and television broadcasts.



**Caution** To ensure the specified EMC performance, operate this product only with shielded cables and accessories. Products that use fiber optic cables, the NI PCI-8366 and NI PXI-8366/8367, do not require shielded cables.



**Caution** Changes or modifications not expressly approved by National Instruments could void the user's authority to operate the hardware under the local regulatory rules.

# Contents

---

## About This Manual

Products Covered .....	ix
Current Generation MXI-Express x1 Products .....	ix
Previous Generation MXI-Express x1 Products.....	ix
Related Documentation.....	x
Conventions .....	xi

## Chapter 1 Introduction

Description and Features .....	1-1
Functional Overview.....	1-3
Functional Block Diagrams.....	1-5
Basic MXI-Express x1 Systems .....	1-9
Larger MXI-Express x1 Systems .....	1-12

## Chapter 2 Getting Started

Terminology.....	2-1
Connecting a PC or Laptop to an Expansion Chassis.....	2-2
Using a MXI-Express x1 Copper Cable.....	2-2
Equipment Needed.....	2-2
Connecting Additional Expansion Chassis to a System.....	2-4
Using a MXI-Express x1 Copper Cable.....	2-4
Equipment Needed.....	2-4

## Chapter 3 Installation and Configuration

Unpacking.....	3-1
Hardware Installation.....	3-2
Installing an NI PCI-8361 or NI PCIe-8361/8362 Host Card .....	3-2
Installing the Low-Profile Bracket (Optional).....	3-3
Installing an NI ExpressCard-8360 Host Card.....	3-5
Installing an NI PXI-8360/8364 or NI PXIe-8360/8364 Board .....	3-6
Cabling .....	3-8
Powering On the MXI-Express x1 System .....	3-8
Powering Off the MXI-Express x1 System.....	3-9
LED Indicators .....	3-9

Software Installation and Configuration .....	3-12
Installation.....	3-12
Configuring Your System .....	3-12

**Appendix A  
Common Questions**

**Appendix B  
Specifications**

**Appendix C  
Specifications for Legacy Products**

**Appendix D  
NI PCI-8366 Low-Profile Bracket Installation Instructions**

**Appendix E  
Technical Support and Professional Services**

**Glossary**

**Index**



# About This Manual

---

This manual describes the features, functions, and operation of the NI PCI-8361, NI PCI-8366, NI PCIe-8361, NI PCIe-8362, NI PXI-8360/8361/8364/8366/8367, NI PXIe-8360/8364, and NI ExpressCard-8360 MXI-Express x1 series of products.

## Products Covered

---



**Note** The model numbers listed below are followed by their specific NI assembly numbers in parentheses. *x* denotes all letter revisions of the assembly. Ensure the specifications of interest match the NI assembly number that is printed on either the front or back side of the board.

### Current Generation MXI-Express x1 Products

- NI PCI-8361 (199392x-01L)
- NI PCIe-8361 (199042x-01L)
- NI PCIe-8362 (190735x-01L)
- NI PXI-8364 (199991x-02L)
- NI PXI-8360 (191373x-01)
- NI PXIe-8360 (194402x-01L)
- NI PXIe-8364 (193970x-01L)
- NI ExpressCard-8360 (198266x-01L)

### Previous Generation MXI-Express x1 Products

Refer to Appendix C, *Specifications for Legacy Products*, for more information on these products.

- NI PCI-8366 (199392x-02L) <sup>1</sup>
- NI PCIe-8361 (195315x-01L)
- NI PCIe-8361 (191376x-02) <sup>1</sup>
- NI PCIe-8362 (191376x-01) <sup>1</sup>
- NI PXI-8361 (199991x-01L) <sup>1</sup>
- NI PXI-8366 (199991x-03L) <sup>1</sup>
- NI PXI-8367 (199991x-04L) <sup>1</sup>
- NI ExpressCard-8360 (192290x-01) <sup>1</sup>

---

<sup>1</sup> No longer available for purchase.

## Related Documentation

---

The following documents contain information that you might find helpful as you read this manual:

- *Set Up Your MXI-Express x1 System*
- Your computer or chassis documentation
- *PXI-1 PXI Hardware Specification*, Revision 2.1
- *PXI-2 PXI Software Specification*, Revision 2.1
- *PXI-5 Express Hardware Specification*, Revision 1.0
- *PXI-6 PXI Express Software Specification*, Revision 1.0
- *PCI Specification*, Revision 3.0
- *PCI-PCI Bridge Architecture Specification*, Revision 1.2
- *PCI Express Specification*, Revision 1.0a
- *PICMG CompactPCI 2.0 R3.0* specification
- *PICMG EXP.0 CompactPCI Express Specification R1.0*
- *PCMCIA ExpressCard Standard*, Revision 1.0
- *PCI Express Base Specification*, Revision 1.1

# Conventions

---

The following conventions appear in this manual:

»

The » symbol leads you through nested menu items and dialog box options to a final action. The sequence **Options»Settings»General** directs you to pull down the **Options** menu, select the **Settings** item, and select **General** from the last dialog box.



This icon denotes a note, which alerts you to important information.



This icon denotes a caution, which advises you of precautions to take to avoid injury, data loss, or a system crash. When this symbol is marked on a product, refer to the *Safety* section in Appendix B, *Specifications*, for information about precautions to take.

**bold**

Bold text denotes items that you must select or click in the software, such as menu items and dialog box options. Bold text also denotes parameter names.

*italic*

Italic text denotes variables, emphasis, a cross-reference, or an introduction to a key concept. Italic text also denotes text that is a placeholder for a word or value that you must supply.

monospace

Text in this font denotes text or characters that you should enter from the keyboard, sections of code, programming examples, and syntax examples. This font is also used for the proper names of disk drives, paths, directories, programs, subprograms, subroutines, device names, functions, operations, variables, filenames, and extensions.



**Note** In this manual, whenever a PXI or PXI Express chassis is referenced, a CompactPCI or CompactPCI Express chassis could be used instead.

---

# Introduction

## Description and Features

---

MXI-Express x1 functions as a cabled PCI Express x1 link that enables control of devices installed in a PXI, PXI Express, VXI, or CompactRIO chassis through the use of desktop computers, workstations, laptops or any other host controller with a PCI, PCI Express, or ExpressCard slot. With MXI-Express x1, you can do the following:

- Control a PXI/PXI Express/CompactPCI/CompactPCI Express, CompactRIO, or VXI backplane with a PCI, PCI Express, or ExpressCard-based PC or laptop/mobile host adapter.
- Physically separate the measurement or automation system from a host PC or laptop.
- Combine PCI Express, CompactPCI, CompactPCI Express, PXI, PXI Express, and CompactRIO devices into the same system.

Table 1-1 lists the products covered by this manual, and lists their features for comparison.

**Table 1-1.** Feature Comparison of Available MXI-Express x1 Interfaces

Model	Slot Type	Number of Ports	Cable Support
NI PCI-8361	PCI	1	MXI-Express x1 Copper
NI PCIe-8361	PCI Express x1	1	MXI-Express x1 Copper
NI PCIe-8362	PCI Express x1	2	MXI-Express x1 Copper
NI PXI-8364	PXI or PXI Express Hybrid Peripheral	1	MXI-Express x1 Copper
NI PXI-8360	PXI Controller	1	MXI-Express x1 Copper
NI PXIe-8360	PXI Express Controller	1	MXI-Express x1 Copper
NI PXIe-8364	PXI Express Peripheral	1	MXI-Express x1 Copper
NI ExpressCard-8360	ExpressCard/34 and ExpressCard/54	1	MXI-Express x1 Copper



**Note** There are other NI products not listed in Table 1-1 that support MXI-Express x1 connectivity. For installation instructions and other information concerning the NI PXI-1033, NI PXI-1073, NI VXI-8360T, NI 9157, NI 9159, and NI 3100/3110, refer to their respective user manuals.

For information concerning the NI PCI-8366, NI PXI-8361, NI PXI-8366, and NI PXI-8367, refer to AppendixC, *Specifications for Legacy Products*.

# Functional Overview

---

MXI-Express x1 is based on PCI Express technology. A MXI-Express x1 kit may use a combination of PCI Express switches or PCI Express-to-PCI bridges to enable control of a PXI or PXI Express chassis from a PC with an available PCI, PCI Express, or ExpressCard slot. The bridge architecture is transparent to device drivers, so no additional software is needed for CompactPCI level support for PXI or PXI Express devices in connected chassis.



**Note** For full PXI/PXI Express functionality such as chassis and controller identification, trigger routing, and slot detection, install the PXI Platform Services software included with your kit. This software also can be found at [ni.com/updates](http://ni.com/updates) by searching for **PXI Platform Services**.

The link between the PC and the chassis is a x1 cabled PCI Express link. This link is a dual-simplex communication channel comprised of a low-voltage, differentially driven signal pair. The link can transmit at a rate of 2.5 Gbps in each direction simultaneously. This port is not compatible with the cabled PCI Express specification developed by the PCI-SIG.

The BIOS of some host machines may not support the extension of the PCI-Express fabric or PCI bus. Since this is the primary function of MXI-Express x1 products, those systems may not boot or function correctly. To address this issue, certain MXI-Express x1 products have additional functionality intended to hide all PCI or PCI-Express resources that are connected to the host machine, and allow NI MXI-Express BIOS Compatibility Software to handle the enumeration process of these resources instead of the BIOS.

In the cases where this software is required, there may be a dip switch on the board that needs to be toggled as instructed by the documentation for the software. The functional block diagrams in this chapter illustrate the locations and availability of the dip switch package. Only the first dip switch in the package is used for this purpose. The other switches serve no function and should be left in their default position<sup>1</sup>.

---

<sup>1</sup> On certain legacy MXI-Express x1 products that contain the dip switch package, the secondary switches may serve a reserved purpose.

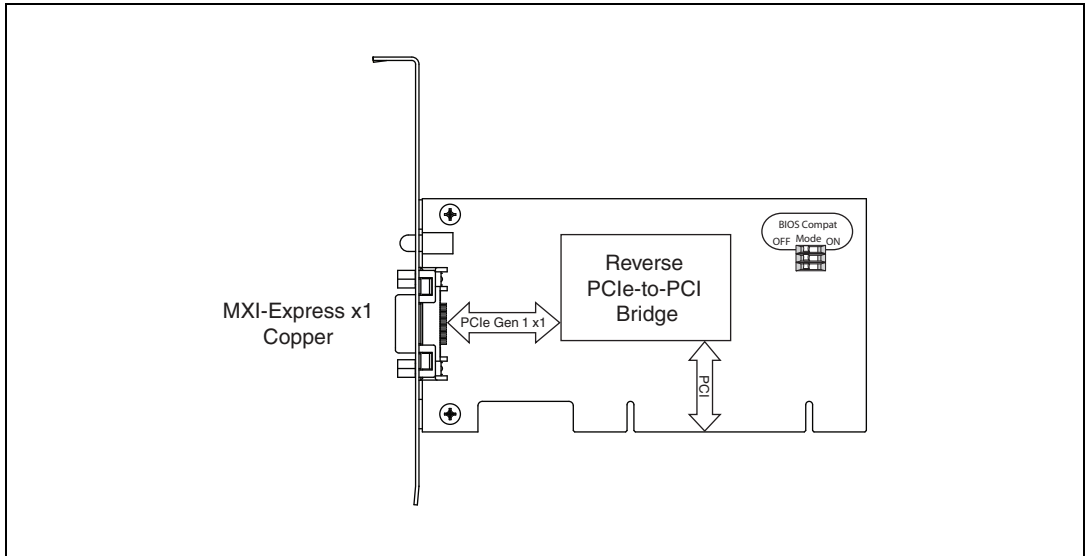


**Note** Unless NI MXI-Express BIOS Compatibility Software is installed on the host machine for use, the BIOS Compat Mode dip switch (switch 1) should remain in the off position. If this mode is enabled on a MXI-Express x1 product in a host machine that does not have the software installed, the connected devices will not be detected by the operating system.

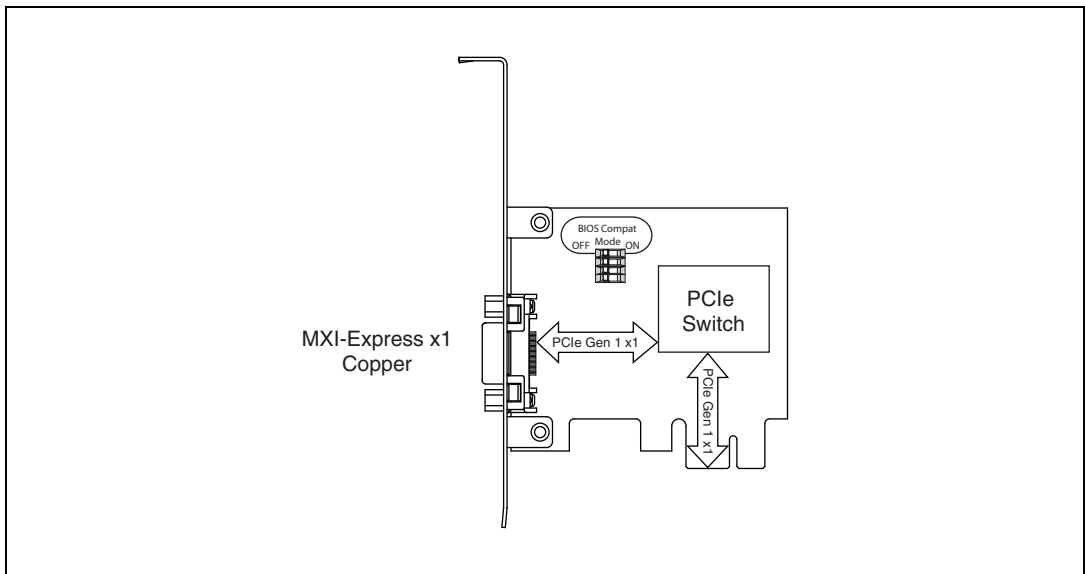
The ExpressCard-8360 (198266x-01L only) also includes support for NI MXI-Express BIOS Compatibility Software, but the support is toggled using the software instead of a physical dip switch. The software is required to check whether the function is enabled.

For more information on host system compatibility with MXI-Express x1 products, refer to the NI Developer Zone document *Tips to Help You Successfully Use MXI-Express Controllers* at [ni.com/zone](http://ni.com/zone).

## Functional Block Diagrams



**Figure 1-1.** NI PCI-8361 (199392x-01L) Block Diagram



**Figure 1-2.** NI PCIe-8361 (199042x-01L) Block Diagram



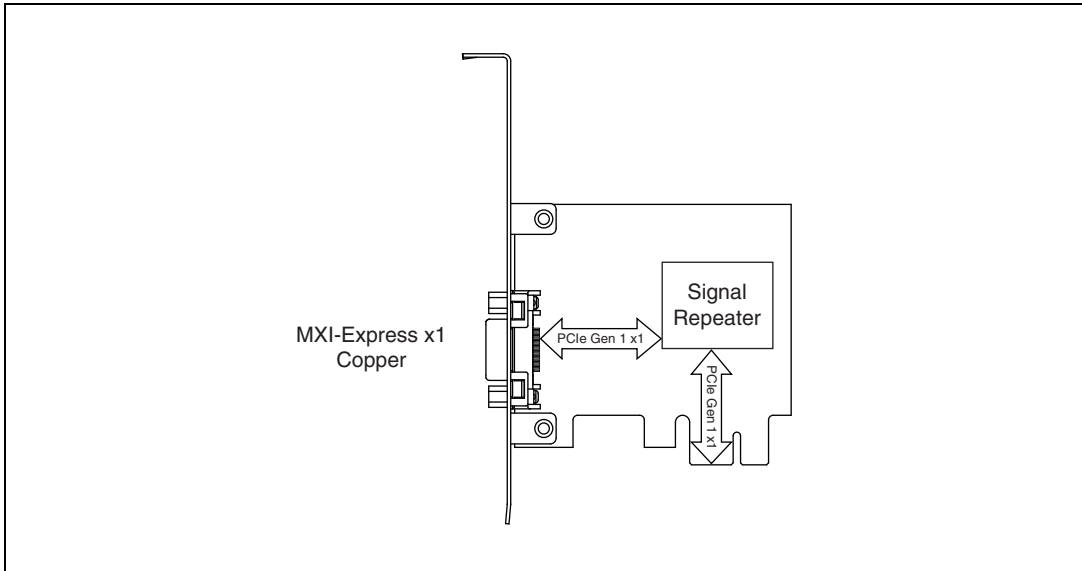


Figure 1-3. NI PCIe-8361 Repeater Version (195315x-01L) Block Diagram

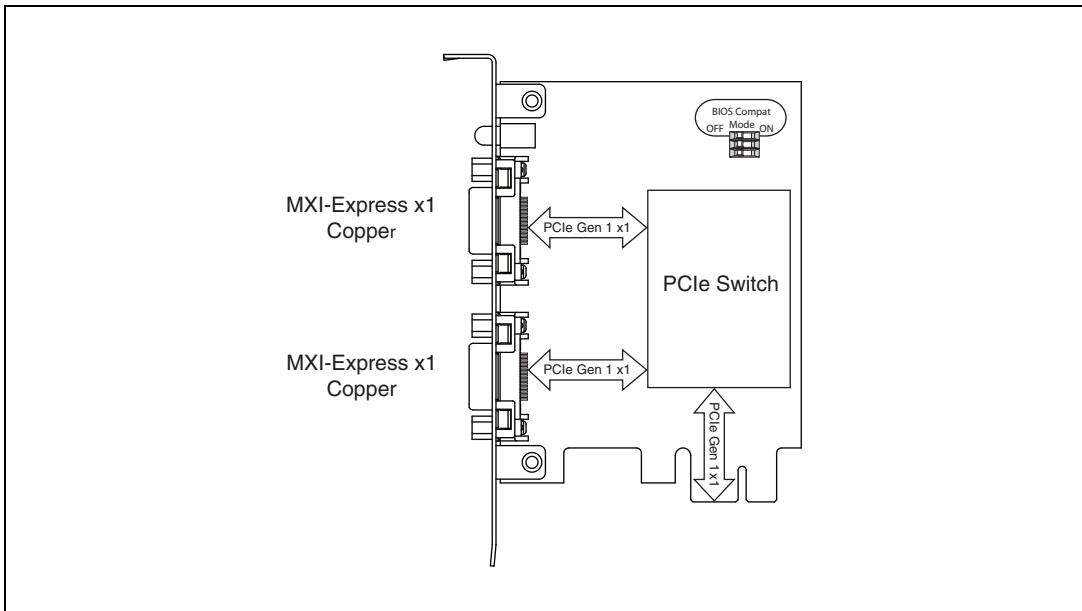
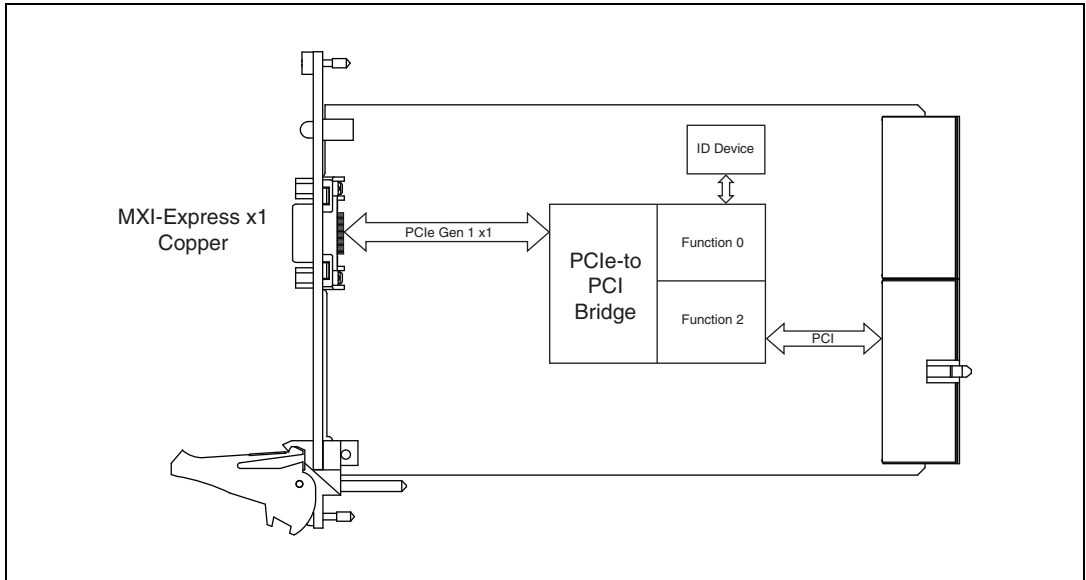
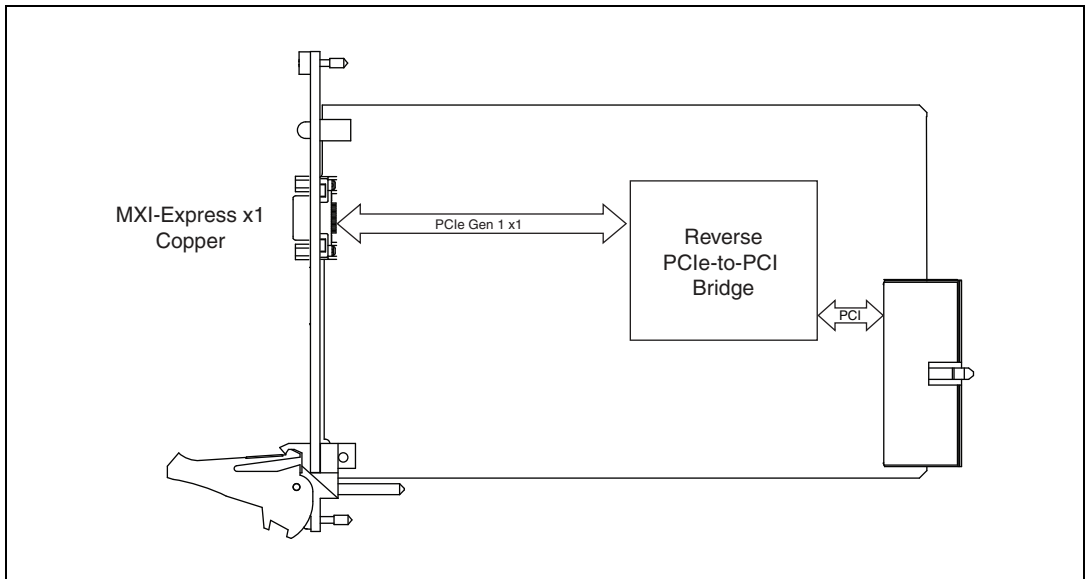


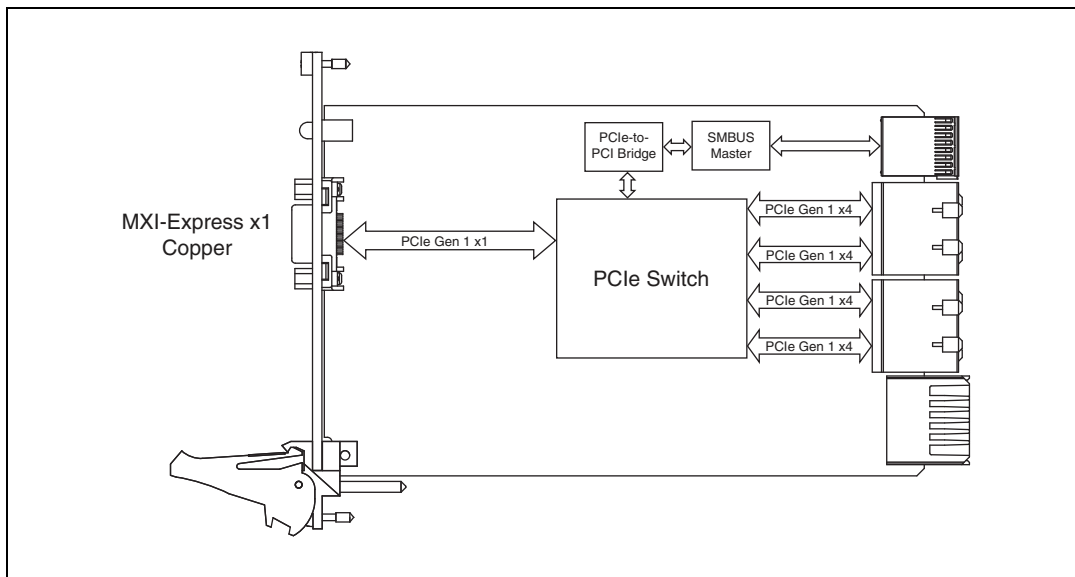
Figure 1-4. NI PCIe-8362 (190735x-01L) Block Diagram



**Figure 1-5.** NI PXI-8360 (191373x-01) Block Diagram



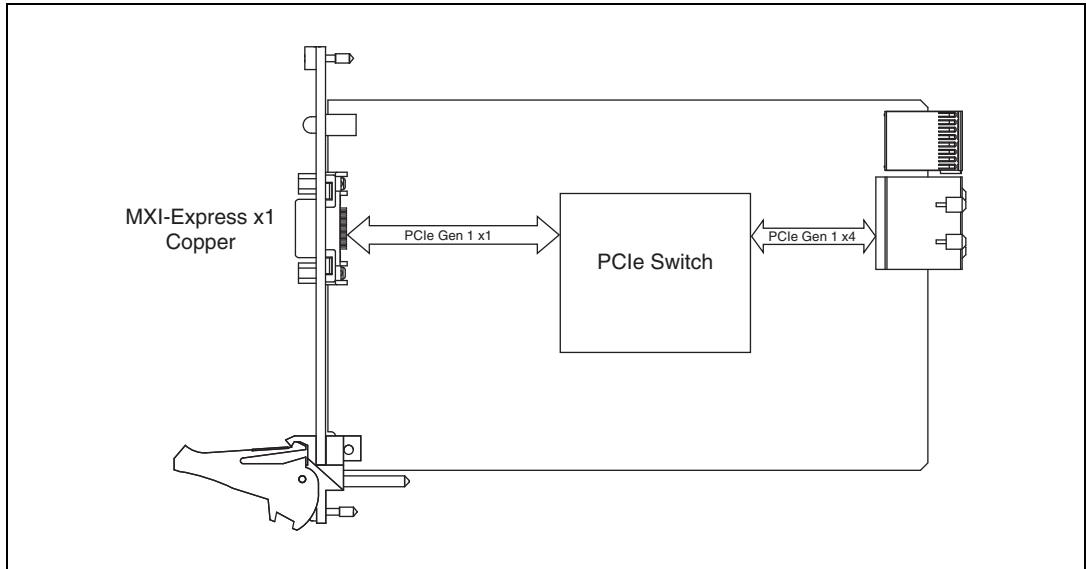
**Figure 1-6.** NI PXI-8364 (199991x-02L) Block Diagram



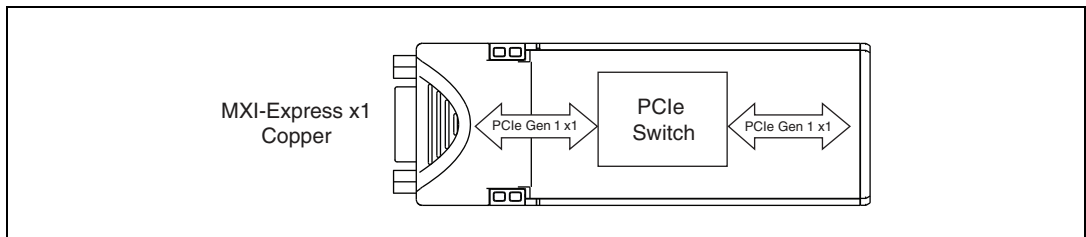
**Figure 1-7.** NI PXIe-8360 (194402x-01L) Block Diagram



**Note** The PCI Express switch on the NI PXIe-8360 also supports dual link mode, which will merge the links to the chassis backplane into two Gen 1 x8 links instead of four Gen 1 x4 links.



**Figure 1-8.** NI PXIe-8364 (193970x-01L) Block Diagram



**Figure 1-9.** NI ExpressCard-8360 (198266x-01L) Block Diagram

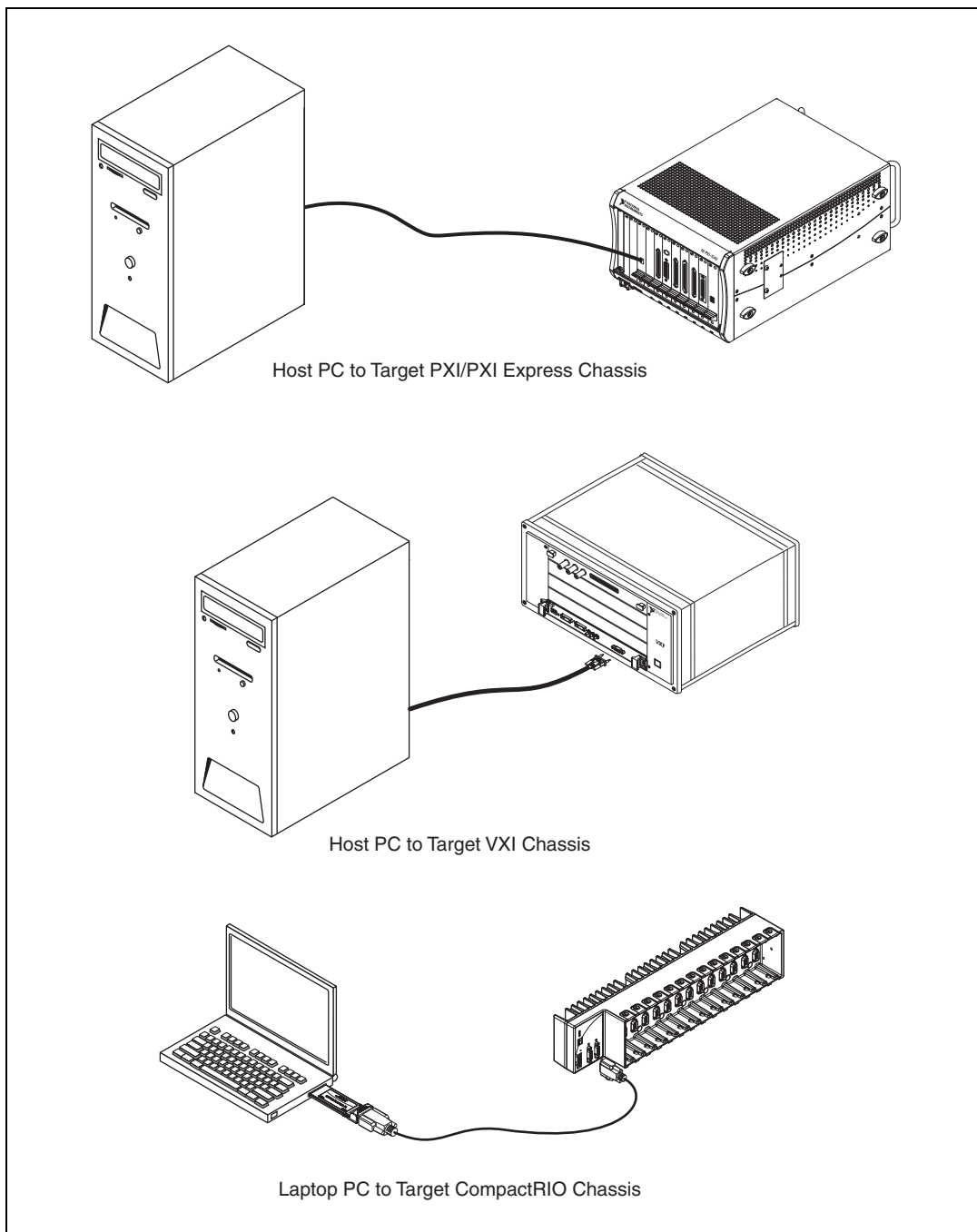


**Note** The NI ExpressCard-8360 (Part Number 192290x-01) has the same architecture as the 198266x-01L version, except that it uses a signal buffer instead of a PCI Express switch.

## Basic MXI-Express x1 Systems

The simplest MXI-Express x1 system can consist of a host board<sup>1</sup> connected to a target board<sup>1</sup> installed in the controller slot of a chassis or integrated port of a chassis. Some example configurations are shown in Figure 1-10, and Table 1-2 lists all connectivity options going from a host PC to a chassis.

<sup>1</sup> For more information refer to the [Terminology](#) section of Chapter 2, [Getting Started](#).



**Figure 1-10.** Examples of Basic MXI-Express x1 Link Topologies



**Note** In this manual, whenever a PXI or PXI Express chassis is referenced, a CompactPCI or CompactPCI Express chassis could be used instead.

Table 1-2 provides information on which host boards can be connected to the corresponding targets.

**Table 1-2.** MXI-Express x1 Connectivity Support From a Host PC or Laptop

From Host		Targets						
Slot Type	Product	PXI Chassis		VXI Chassis	PXI Express Chassis		MXI-Express RIO	
		NI PXI-8360	NI PXI-1033*	NI VXI-8360T	NI PXIe-8360	NI PXIe-1073*	NI 9157*	NI 9159*
PCI	NI PCI-8361	✓	—†	—†	—†	—†	—	—
PCI Express x1	NI PCIe-8361	✓	✓	✓	✓	✓	✓	✓
PCI Express x1	NI PCIe-8362	✓	✓	✓	✓	✓	✓	✓
ExpressCard	NI ExpressCard-8360	✓	✓	✓	✓	✓	✓	✓
Industrial Controller	NI 3100/3110*	✓	✓	✓	✓	✓	✓	✓

\* Product has an integrated MXI-Express x1 port.

† These configurations are not supported, even though the front panel MXI connectors are mechanically compatible. For these configurations the boards will likely report a valid cable link via the front panels LEDs. Since these link scenarios expose a possible data integrity issue that may not be obvious to the user, National Instruments strongly recommends against using these configurations.

**Note:** For installation instructions and other information concerning the NI PXI-1033, NI PXIe-1073, NI VXI-8360T, NI 9157, NI 9159, and the NI 3100/3110, refer to their respective user manuals.

**Note:** PCI Express host slots will give better throughput and latency performance than PCI slots.

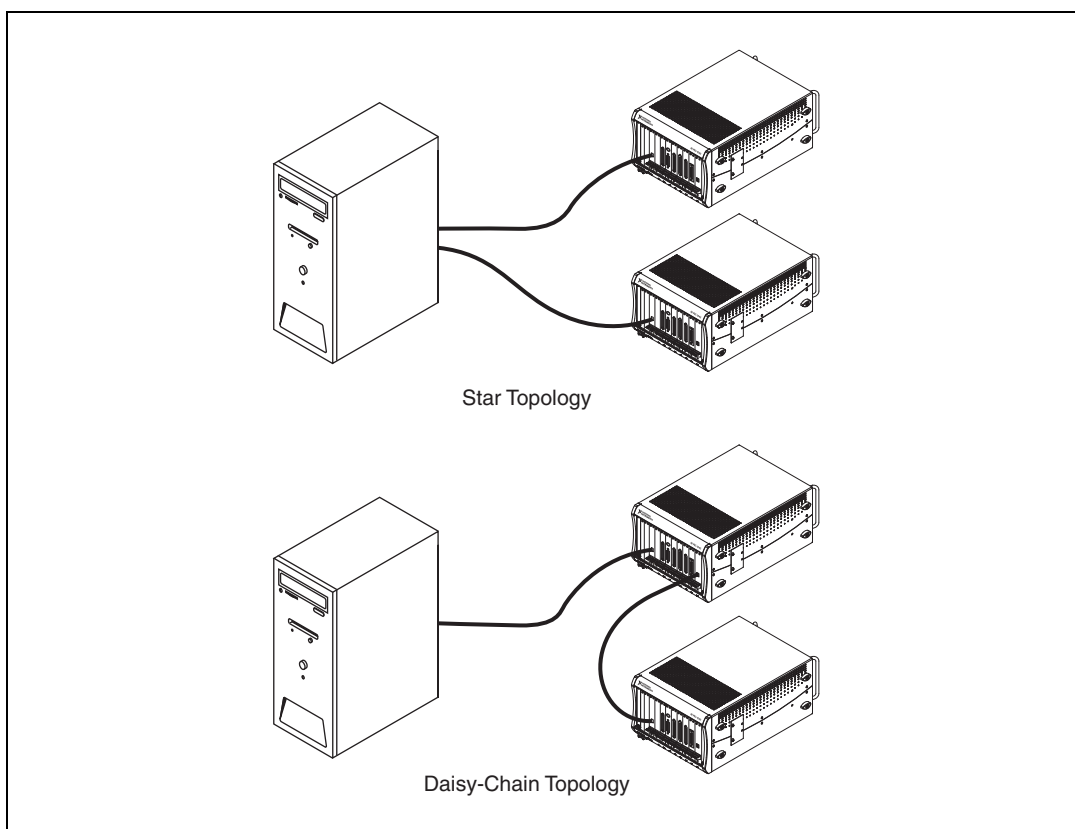
## Larger MXI-Express x1 Systems

By leveraging the PCI Express technology used in MXI-Express x1 products, you can connect more than a single chassis to a host controller.

The NI PCIe-8362, for example, has two MXI-Express x1 ports. This allows for connecting two targets simultaneously, also known as a star configuration or star topology. Also, if multiple PCI or PCI Express slots are available in the host PC, additional PXI or PXI Express chassis can be connected by installing additional NI MXI-Express x1 host boards to achieve the same star topology.

You can also daisy-chain from a chassis that is already controlled by an embedded controller, host PC, or laptop to additional chassis using MXI-Express x1 products. See Table 1-3 for available options.

Figure 1-11 shows how you can use MXI-Express x1 cards to connect multiple expansion chassis to a PC in a star or daisy-chain topology.



**Figure 1-11.** Example MXI-Express x1 System Expansion Topologies

Table 1-3 provides information on which daisy-chaining boards can be connected to corresponding targets.

**Table 1-3.** MXI-Express x1 Daisy-Chain Connectivity Support For Daisy-Chaining

From Chassis		Targets						
Slot Type	Product	PXI Chassis		VXI Chassis	PXI Express Chassis		MXI-Express RIO	
		NI PXI-8360	NI PXI-1033*	NI VXI-8360T	NI PXIe-8360	NI PXIe-1073*	NI 9157*	NI 9159*
PXI or PXIe Hybrid	NI PXI-8364	✓	— <sup>†</sup>	— <sup>†</sup>	— <sup>†</sup>	— <sup>†</sup>	✓ <sup>**</sup>	✓ <sup>**</sup>
PXI Express or PXIe Hybrid	NI PXIe-8364	✓	✓	✓	✓	✓	✓	✓
ExpressCard <sup>‡</sup>	NI ExpressCard-8360	✓	✓	✓	✓	✓	✓	✓

\* Product has an integrated MXI-Express x1 port.

<sup>†</sup> These configurations are not supported, even though the front panel MXI connectors are mechanically compatible. For these configurations the boards will likely report a valid cable link via the front panels LEDs. Since these link scenarios expose a possible data integrity issue that may not be obvious to the user, National Instruments strongly recommends against using these configurations.

\*\* Daisy-chaining from PXI Express or ExpressCard slots will give better throughput and latency performance than PXI or PXI Express hybrid slots.

<sup>‡</sup> ExpressCard slot of an NI embedded controller that is installed in the first chassis.

**Note:** For installation instructions and other information concerning the NI PXI-1033, NI PXIe-1073, NI VXI-8360T, NI 9157, NI 9159, and the NI 3100/3110, refer to their respective user manuals.



---

# Getting Started

This chapter explains what you will need to set up various MXI-Express x1 hardware configurations.

The products covered by this guide are the NI PCI-8361, NI PCIe-8361/8362, NI PXI-8360/8364, NI PXIe-8360/8364, and NI ExpressCard-8360. For the remainder of this manual the term *MXI-Express x1 product* refers to any of these products.

Additional compatible products are included in subsequent tables, but are not covered in this manual.

## Terminology

---

The following terms may be used throughout this document:

- **Host PC**—A host computer with at least one of the following slot types available:
  - PCI Express x1 or wider
  - PCI
- **Laptop**—A portable laptop with the following slot types available:
  - ExpressCard/34 or ExpressCard/54 slot with PCI Express support<sup>1</sup>
- **Expansion Chassis**—An expansion chassis of any of the following types:
  - CompactPCI chassis
  - PXI chassis
  - CompactPCI Express chassis
  - PXI Express chassis
  - VXI mainframe
  - NI CompactRIO backplane

---

<sup>1</sup> Some ExpressCard adapters support USB only.

- **MXI-Express x1 copper cable**—Standard PCI Express specification compliant cable with 18-pin Molex TDP™ connectors.



**Note** Refer to the [Cabling](#) section of Chapter 3, *Installation and Configuration* for details. Most MXI-Express kits include the cable, but not all.

- **Host Board**—The MXI-Express x1 board of a cabled pair of boards that is closer to the CPU.
- **Target Board**—The MXI-Express x1 board of a cabled pair of boards that is farther from the CPU.
- **Cabled Pair**—Two MXI-Express x1 boards that are connected with a single cable.



**Note** Some NI MXI-Express x1 link capable products have integrated ports and do not require a separate host or target board.

## Connecting a PC or Laptop to an Expansion Chassis

---

### Using a MXI-Express x1 Copper Cable

Refer to the [Terminology](#) section for more detail on the items in this list.

#### Equipment Needed

- Host PC or laptop
- Expansion chassis
- MXI-Express x1 copper cable
- A MXI-Express x1 host board and target board that is appropriate for the host system slot and target chassis. Refer to Table 2-1 for more information.

**Table 2-1.** MXI-Express x1 Connectivity Support From a Host PC Using a Copper Cable

From Host		Targets						
Slot Type	Product	PXI Chassis		VXI Chassis	PXI Express Chassis		MXI-Express RIO	
		NI PXI-8360	NI PXI-1033 <sup>†</sup>	NI VXI-8360T	NI PXIe-8360	NI PXIe-1073 <sup>†</sup>	NI 9157 <sup>†</sup>	NI 9159 <sup>†</sup>
PCI	NI PCI-8361	✓	— <sup>†</sup>	— <sup>†</sup>	— <sup>†</sup>	— <sup>†</sup>	—	—
PCI Express x1	NI PCIe-8361	✓	✓	✓	✓	✓	✓	✓
PCI Express x1	NI PCIe-8362	✓	✓	✓	✓	✓	✓	✓
ExpressCard	NI ExpressCard-8360	✓	✓	✓	✓	✓	✓	✓
Industrial Controller	NI 3100/3110 <sup>†</sup>	✓	✓	✓	✓	✓	✓	✓

<sup>†</sup> Product has an integrated MXI-Express x1 port.

<sup>†</sup> These configurations are not supported, even though the front panel MXI connectors are mechanically compatible. For these configurations the boards will likely report a valid cable link via the front panels LEDs. Since these link scenarios expose a possible data integrity issue that may not be obvious to the user, National Instruments strongly recommends against using these configurations.

**Note:** For installation instructions and other information concerning the NI PXI-1033, NI PXIe-1073, NI VXI-8360T, NI 9157, NI 9159, and the NI 3100/3110, refer to their respective user manuals.

**Note:** For full PXI or PXI Express functionality, refer to the *Software Installation and Configuration* section of Chapter 3, *Installation and Configuration*, for more information.

**Note:** PCI Express host slots will give better throughput and latency performance than PCI slots.

# Connecting Additional Expansion Chassis to a System

---

## Using a MXI-Express x1 Copper Cable

Refer to the [Terminology](#) section for more detail on the items in this list.

### Equipment Needed

- Chassis (or embedded controller with ExpressCard slot) to daisy-chain from
- Expansion chassis to daisy-chain to
- MXI-Express x1 copper cable
- A MXI-Express x1 host board and target board that is appropriate for the host system slot and target chassis. Refer to Table 2-2 for more information.

**Table 2-2.** MXI-Express x1 Daisy-Chain Connectivity Support From a Chassis Using a Copper Cable

From Chassis		Targets						
Slot Type	Product	PXI Chassis		VXI Chassis	PXI Express Chassis		MXI-Express RIO	
		NI PXI-8360	NI PXI-1033 <sup>†</sup>	NI VXI-8360T	NI PXIe-8360	NI PXIe-1073 <sup>†</sup>	NI 9157 <sup>†</sup>	NI 9159 <sup>†</sup>
PXI or PXIe Hybrid	NI PXI-8364	✓	— <sup>†</sup>	— <sup>†</sup>	— <sup>†</sup>	— <sup>†</sup>	✓ <sup>**</sup>	✓ <sup>**</sup>
PXI Express or PXIe Hybrid	NI PXIe-8364	✓	✓	✓	✓	✓	✓	✓
ExpressCard <sup>‡</sup>	NI ExpressCard-8360	✓	✓	✓	✓	✓	✓	✓

<sup>\*</sup> Product has an integrated MXI-Express x1 port.

<sup>†</sup> These configurations are not supported, even though the front panel MXI connectors are mechanically compatible. For these configurations the boards will likely report a valid cable link via the front panels LEDs. Since these link scenarios expose a possible data integrity issue that may not be obvious to the user, National Instruments strongly recommends against using these configurations.

<sup>\*\*</sup> Daisy-chaining from PXI Express or ExpressCard slots will give better throughput and latency performance than PXI or PXI Express hybrid slots.

<sup>‡</sup> ExpressCard slot of an embedded controller that is installed in the chassis to be daisy-chained from.

**Note:** For installation instructions and other information concerning the NI PXI-1033, NI PXIe-1073, NI VXI-8360T, NI 9157, and NI 9159 refer to their respective user manuals.

**Note:** For full PXI or PXI Express functionality, refer to the [Software Installation and Configuration](#) section of Chapter 3, [Installation and Configuration](#), for more information.

---

# Installation and Configuration

This chapter explains how to unpack, install, and configure the MXI-Express x1 hardware and software.

## Unpacking

---

Your MXI-Express x1 boards are shipped in antistatic packages to prevent electrostatic damage (ESD) to the devices. ESD can damage several components on the device.



**Caution** *Never* touch the exposed pins of connectors. Doing so may damage the device.

To avoid such damage in handling the device, take the following precautions:

- Ground yourself using a grounding strap or by holding a grounded object.
- Touch the antistatic package to a metal part of the computer chassis before removing the device from the package.

Remove the device from the package and inspect the device for loose components or any sign of damage. Notify NI if the device appears damaged in any way. Do *not* install a damaged device into a computer, laptop, PXI/CompactPCI, PXI Express/CompactPCI Express, CompactRIO, or VXI chassis.

Store the device in the antistatic envelope when not in use.

# Hardware Installation

---

The following are general instructions for installing the MXI-Express x1 cards. Consult your computer user manual or technical reference manual for specific instructions and warnings.

## Installing an NI PCI-8361 or NI PCIe-8361/8362 Host Card

Complete the following steps to install the NI PCI-8361 or NI PCIe-8361/8362 in your computer.

1. Power off your computer.



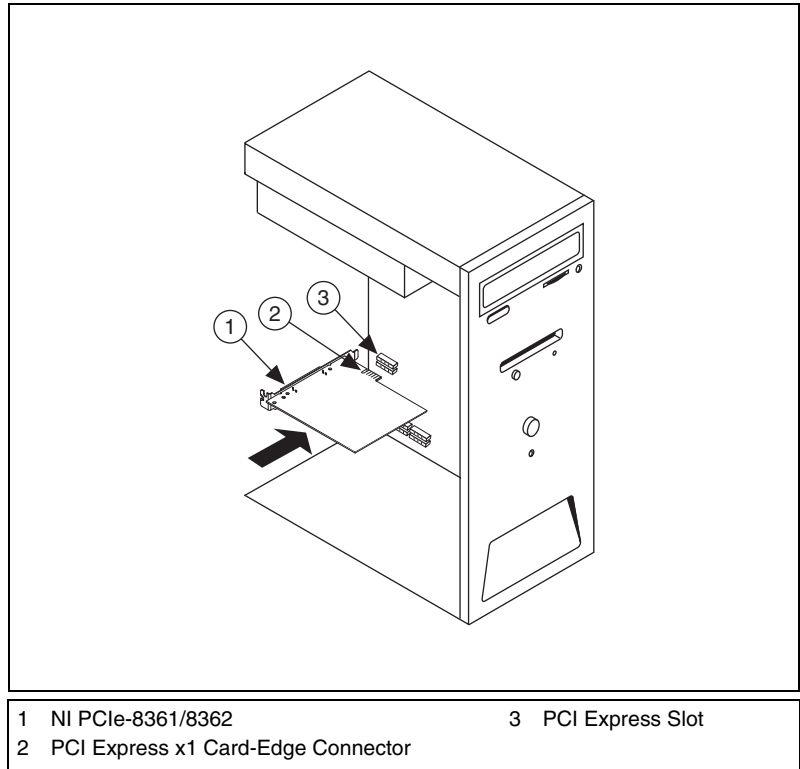
**Caution** To protect both yourself and the computer from electrical hazards, your computer should remain off until you finish installing all hardware as instructed.

2. Remove the top cover or access port to the PCI or PCI Express expansion slots.
3. Touch the metal part of the power supply case inside the computer to discharge any static electricity that might be on your clothes or body.
4. Unplug the computer and wait 30 seconds to allow the energy stored in the computer's power supply to fully dissipate.
5. Select any available PCI slot for the NI PCI-8361 or PCI Express (x1 or wider) expansion slot for the NI PCIe-8361/8362.



**Note** The BIOS or motherboard may not support the NI PCIe-8361/8362 in a slot intended for a graphics card.

6. Locate the metal bracket that covers the cut-out in the back panel of the computer for the slot you have selected. Remove and save the bracket-retaining screw and the bracket cover.
7. Line up the NI PCI-8361 or NI PCIe-8361/8362 with the slot on the back panel, as shown in Figure 3-1. Slowly push down on the top of the NI PCI-8361 or NI PCIe-8361/8362 until its card-edge connector is resting on the expansion slot receptacle. Using slow, evenly distributed pressure, press the NI PCI-8361 or NI PCIe-8361/8362 straight down until it seats in the expansion slot.
8. Reinstall the bracket-retaining screw to secure the NI PCI-8361 or NI PCIe-8361/8362 to the back panel rail.
9. Replace the computer cover.
10. Plug the computer back in.



**Figure 3-1.** NI PCIe-8361/8362 Card Installation Example



**Note** Figure 3-1 shows a PCI Express based card installation. The same procedure applies for a PCI card and slot.

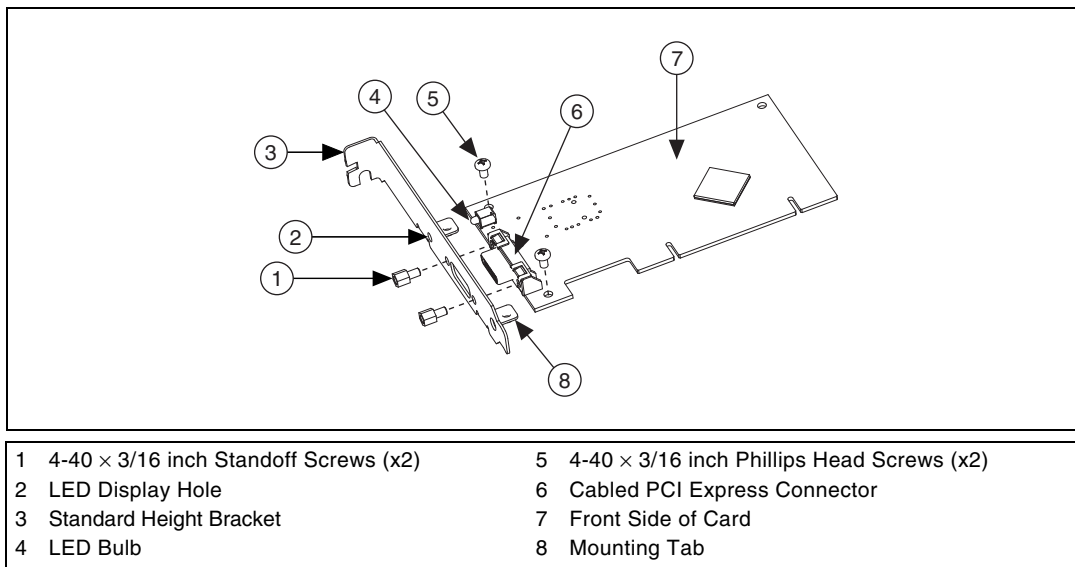
## Installing the Low-Profile Bracket (Optional)

To install the NI PCI-8361 or NI PCIe-8361 in a host computer that requires a low-profile height card, the front bracket must be replaced with the low-profile bracket included with your kit. Complete the following steps to replace the bracket.



## NI PCI-8361 or NI PCIe-8361

1. Remove the standard height front bracket already installed on your NI PCI-8361 or NI PCIe-8361 card by removing the two 4-40 × 3/16 inch Phillips head screws and the two 4-40 × 3/16 inch standoff screws that attach the bracket to the card, as shown in Figure 3-2. Set the screws aside to re-use when installing the low-profile bracket.



**Figure 3-2.** Removing the Standard Height Bracket from an NI PCI-8361



**Note** The NI PCI-8361 standard height bracket mounting tabs rest against the back side of the card. The NI PCIe-8361 standard height bracket mounting tabs rest against the front side of the card, which is the side upon which the cabled PCI Express connector rests.

2. Fit the low-profile bracket onto the NI PCI-8361 or NI PCIe-8361. Ensure the two mounting tabs on the low-profile bracket rest against the back side of the card and that the LED bulb is situated in the bracket's LED display hole correctly, where applicable.
3. Align the mounting holes on the card with the threaded holes on the mounting tabs of the bracket. Insert the two 4-40 × 3/16 inch Phillips head screws from the front side of the card to attach the bracket.
4. Install the two 4-40 × 3/16 inch standoff screws to the front connector holes.
5. Tighten all screws to a maximum torque of 3.6 lb · in. (0.407 N · m).

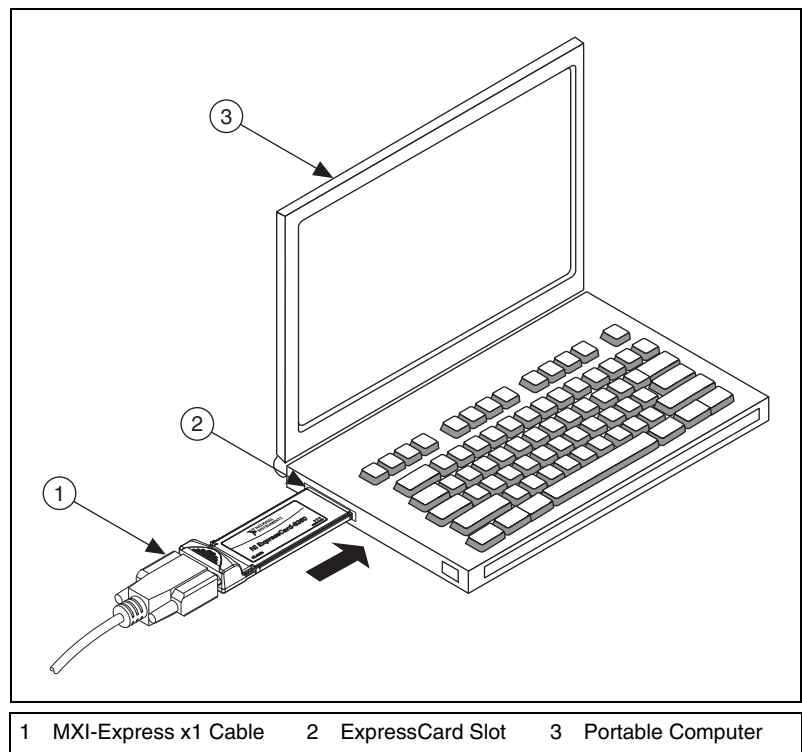
## Installing an NI ExpressCard-8360 Host Card

Because a laptop is not grounded, follow this procedure to safely connect it to your PXI system:

1. Install the NI PXI-8360, NI PXI-8361, or NI PXIe-8360 as directed in the *Installing an NI PXI-8360/8364 or NI PXIe-8360/8364 Board* section where applicable.
2. Touch the NI ExpressCard-8360 and a metal part of the PXI chassis simultaneously. Do not install it into the laptop or embedded controller yet.
3. Connect the cable to the NI ExpressCard-8360 and target chassis.
4. Plug the NI ExpressCard-8360 into an available ExpressCard slot.

If your computer is already running (or hibernating, etc.) when you install an NI ExpressCard-8360, you must reboot to detect the PXI system. Otherwise, the PXI system is detected when you start your computer.

Figure 3-3 shows how to insert the NI ExpressCard-8360 into a laptop and connect the cable.



**Figure 3-3.** Installing the NI ExpressCard-8360 Into a Laptop

## Installing an NI PXI-8360/8364 or NI PXIe-8360/8364 Board

Table 3-1 provides information on which PXI or PXI Express MXI-Express x1 boards are compatible with which chassis slot types.

**Table 3-1.** NI MXI-Express x1 PXI/PXI Express Board Slot Type Compatibility

	PXI Chassis		PXI Express Chassis		
	Controller	Peripheral	Controller	Peripheral	Hybrid
<b>NI PXI Board</b>	△	○	▲	●	● <sup>H</sup>
NI PXI-8360	✓	—	—	—	—
NI PXI-8364	—	✓	—	—	✓
NI PXIe-8360	—	—	✓	—	—
NI PXIe-8364	—	—	—	✓	✓



**Note** For this section, all of the above products will be referred to as an “NI PXI board”.

Complete the following steps to install the NI PXI board into your PXI or PXI Express chassis.

1. Power off your PXI or PXI Express chassis, and leave it plugged in. The power cord grounds the chassis and protects it from ESD.

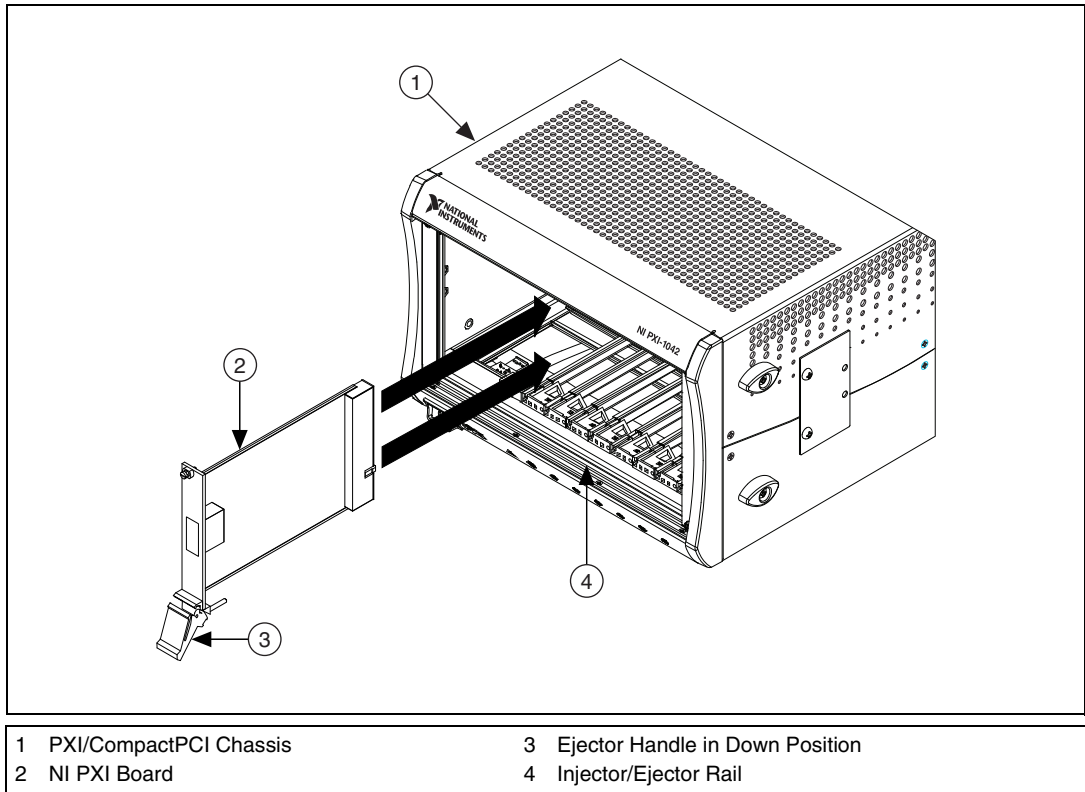


**Caution** To protect both yourself and the chassis from electrical hazards, leave the chassis off until you finish installing the NI PXI board.

2. Remove or open any doors or covers blocking access to the slot in which you intend to install the NI PXI board.
3. Touch a metal part of the chassis to discharge any static electricity that might be on your clothes or body.
4. Make sure the injector/ejector handle is in its downward position. Be sure to remove all connector packaging and protective caps from retaining screws on the module. Align the NI PXI board with the card guides on the top and bottom of the chassis slot.



**Caution** Do *not* raise the injector/ejector handle as you insert the NI PXI board. It will not insert properly unless the handle is in its downward position so that it does not interfere with the injector/ejector rail on the chassis, as shown in Figure 3-4.



**Figure 3-4.** Example NI PXI Board Installation into a PXI Chassis

5. Hold the handle as you slowly slide the module into the chassis until the handle catches on the injector/ejector rail.
6. Raise the injector/ejector handle until the module firmly seats into the backplane receptacle connectors. The front panel of the NI PXI board should be even with the front panel of the chassis.
7. Tighten the bracket-retaining screws on the top and bottom of the front panel to secure the NI PXI board to the chassis.
8. Replace or close any doors or covers to the chassis.



**Note** Figure 3-4 shows an NI PXI board and chassis installation. The same procedure applies for a PXI Express board and chassis.

## Cabling

MXI-Express x1 products support two types of cable of various lengths. Table 3-2 shows the MXI-Express x1 copper cables<sup>1</sup> available from National Instruments.

**Table 3-2.** National Instruments MXI-Express x1 Copper Cables

Cable Length (Meters)	Description	Part Number
1 m	MXI-Express x1 copper cable	779500-01
3 m	MXI-Express x1 copper cable	779500-03
7 m	MXI-Express x1 copper cable	779500-07

## Powering On the MXI-Express x1 System

1. Power on all of the expansion chassis in any order you choose.
2. Power on the host.



**Note** There are no requirements on the order that connected expansion chassis are powered up relative to each other, as long as they are all on before the computer is powered on.

3. Observe the LED status on the NI PCI-8361, NI PCIe-8361/8362, NI PXI-8360/8364, and NI PXIe-8360/8364 where applicable. A properly connected and powered up system should display a valid link and power status on *all* of these boards once the host PC is powered on. Refer to the [LED Indicators](#) section for more information.

Typical PCI-PCI bridges are used to add PCI devices to a PCI hierarchy in which all the bridges and devices are contained within a single chassis. Because of this, BIOSes and operating systems make the assumption that all PCI devices in the entire hierarchy will be available as soon as code execution begins at power-up time. This assumption means that all of the expansion chassis must be turned on before the host PC for the BIOS and OS to correctly configure a MXI-Express system.

<sup>1</sup> For more information, refer to the [Terminology](#) section of Chapter 2, [Getting Started](#).



**Note** In some cases where there is an invalid MXI-Express x1 connection, some boards may report a valid link while others do not. It is important to observe a valid link status across *all* connected MXI-Express x1 boards when the host is powered on to ensure a valid configuration.

## Powering Off the MXI-Express x1 System

Because operating systems and drivers commonly make the assumption that PCI devices will be present in the system from power-up to power-down, it is important not to power off the expansion chassis until after the host PC is powered off. Powering off the expansion chassis while the host is still on can cause crashes or hangs. However, once the host PC is powered off, the order that the expansion chassis are powered off is not important.

## LED Indicators

The LEDs on MXI-Express x1 cards provide status information about power supplies and link state. The NI PCI-8361, NI PXI-8364, and NI PXIe-8364 all have one tri-color LED on the panel, indicating power and link status. The NI PCIe-8362 has two tri-color LEDs on the panel, indicating power and link status for each port. The NI PXI-8360 and NI PXIe-8360 have two LEDs, one for power supply status and one for link state.



**Note** In some cases where there is an invalid MXI-Express x1 connection, some boards may report a valid link while others do not. It is important to observe a valid link status across *all* connected MXI-Express x1 boards when the host is powered on to ensure a valid configuration.

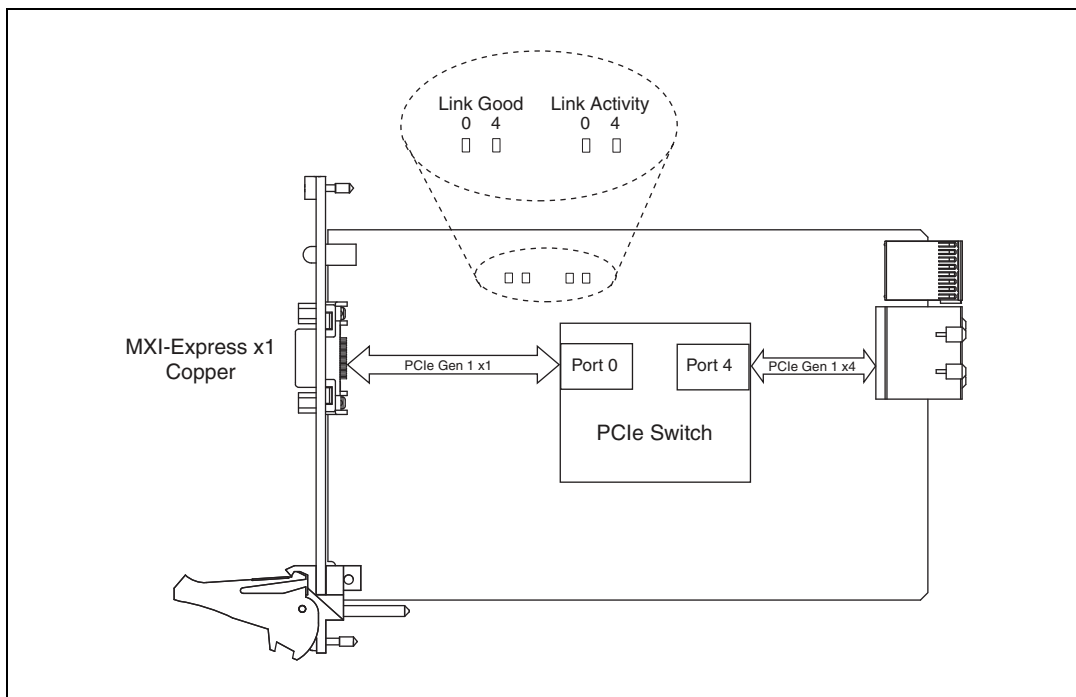
**Table 3-3.** LED Status Descriptions of MXI-Express x1 Products

Board	LED	Color	Meaning
NI PCI-8361 (199392x-01L)	PWR/LINK	Off	Power is off
NI PCIe-8362 (190735x-01L)		Blinking Red	Power is out of spec
NI PXI-8364 (199991x-02L)		Solid Amber	Power is within spec; no link to chassis
NI PXIe-8364 (193970x-01L)		Solid Green	Power is within spec; link established

**Table 3-3.** LED Status Descriptions of MXI-Express x1 Products (Continued)

Board	LED	Color	Meaning
NI PXI-8360 (191373x-01) NI PXIe-8360 (194402x-01L)	PWR	Off	No power
		Solid Red	Power is out of spec
		Solid Green	Power is within spec
	LINK	Off	Link not established
		Solid Green	Link established

Refer to Figure 3-5 for onboard LED locations.

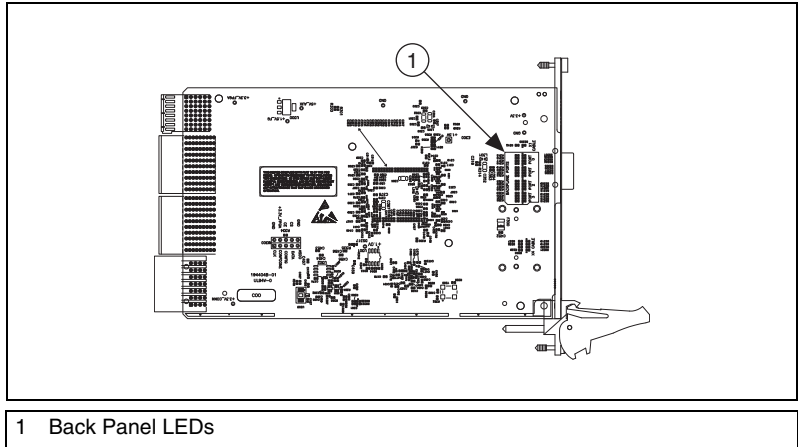


**Figure 3-5.** NI PXIe-8364 (193970x-01L) Onboard LED Locations

**Link Good LEDs**—LEDs that indicate a successful cable link (LED 0) and backplane link (LED 4).

**Link Activity LEDs**—LEDs that indicate link activity on the cable link (LED 0) and the backplane link (LED 4).

The NI PXIe-8360 also has a vertical column of 16 LEDs on the back side of the card near the front connector, as shown in Figure 3-6. These LEDs provide additional information about the link status of the PCI Express lanes on the module to the backplane. Each group of four LEDs corresponds to one of the four PCI Express links to the backplane.



**Figure 3-6.** NI PXIe-8360 Back Side LED Locations



**Notes** If you are using a chassis (such as the NI PXIe-1062) that directly links the PXI Express board, the LEDs to that slot will not illuminate until you have a PXI Express board installed and linked.

If you are using the NI PXIe-1062 chassis, you will notice that the last group of LEDs has an LED (PORT 3) illuminated even if no boards are populated in the slots. Since the NI PXIe-1062 uses the last link for a PCI Express to PCI bridge for PXI communication, this link should always be active. Different chassis topologies will give different default behaviors. Contact your chassis' manufacturer for more information on your chassis' topology.



# Software Installation and Configuration

---

## Installation

MXI-Express x1 is based on PCI Express technology, using PCI Express switches and/or bridges to enable control of a PXI or PXI Express chassis from a PC or laptop with an available PCI, PCI Express, or ExpressCard slot. This technology will be recognized as a collection of PCI-to-PCI bridges to the operating system, and should automatically have CompactPCI support without any additional software.



**Note** For full PXI/PXI Express functionality such as chassis and controller identification, trigger routing, and slot detection, install the PXI Platform Services software included with your kit. This software also can be found at [ni.com/updates](http://ni.com/updates) by searching for **PXI Platform Services**.

For operating system support, refer to the KnowledgeBase **53399AQ7**, *PXI Platform Services Operating System Support*, at [ni.com/kb](http://ni.com/kb).

## Configuring Your System



**Note** The following requires the PXI Platform Services software and Measurement & Automation Explorer (MAX), included on your *PXI Platform Services* CD or your driver CD.

For information on configuring your system in MAX, open MAX and navigate to **Help»Help Topics»PXI**.

---

# Common Questions

This appendix lists common questions related to the use of NI MXI-Express x1 products.

## General Hardware

---

### **Does NI offer a chassis with the MXI-Express x1 controller integrated?**

Yes. Refer to Table 2-1, *MXI-Express x1 Connectivity Support From a Host PC Using a Copper Cable*, for more information.

### **What connectors does the MXI-Express x1 copper cable use?**

The MXI-Express x1 copper cables use Molex TDP™ connectors. For more information about these connectors, visit Molex at [www.molex.com](http://www.molex.com) and search for **TDP**.

### **Will my PC or laptop model work with MXI-Express x1 products?**

It will depend on the robustness of the BIOS in your PC or laptop. In most cases, the BIOS should be able to enumerate the bridge resources that the MXI products require for operation, especially for smaller MXI system configurations. For more information, refer to the NI Developer Zone article, *Tips to Help You Successfully Use NI MXI-Express Controllers*, at [ni.com/zone](http://ni.com/zone).

## MXI-3 and MXI-4 to MXI-Express x1 Upgrade Questions

---

### **What are some of the improvements from MXI-3 and MXI-4 to MXI-Express x1?**

MXI-Express x1 incorporates the latest technology to include:

- Support for PCI, PCI Express, and ExpressCard slots.
- Laptop or desktop control of PXI, PXI Express, VXI, and CompactRIO chassis.
- Improved error correction and handling for noisy or harsh environments.
- Improved mechanical connectivity.
- Improved performance.
- Support for two chassis from a single card in the host PC.
- Lower cost.

### **Can I connect a MXI-3 or MXI-4 board to a MXI-Express x1 board?**

No. MXI-3, MXI-4, and MXI-Express x1 boards use different cable connectors and protocols in most cases and cannot be mixed. This is because the board-to-board communication protocols differ.

For example, an NI PCI-8336, which is a MXI-4 product, will not work with an NI PXI-8366 even though the connectors are the same. Refer to Table 1-2 in Chapter 1, *Introduction*, for more information on connectivity support.

**Can I use a MXI-3, MXI-4, and MXI-Express x1 kit in the same multichassis PXI system?**

Yes. Different MXI kits can be intermixed to connect multiple chassis together. A kit is defined as a host and target board that both support the same link type like MXI-3, MXI-4, or MXI-Express x1. As mentioned previously, an individual MXI-3 or MXI-4 board will not link correctly to a MXI-Express x1 board.

**MXI-3 and MXI-4 systems required the use of a specific boot ordering. Is this a requirement with MXI-Express x1?**

Yes. The requirements of the PCI bus still mandate that you must power on secondary PXI chassis before powering on the host PC when using MXI-Express x1.

With MXI-3 and several chassis connected in series (daisy-chain configuration), you were required to power on the chassis in order starting with the chassis at the end of the chain and move towards the host controller. Now with MXI-Express x1, multiple chassis are connected in parallel and can be powered on in any order, except that you need to ensure that the last component powered on is the host PC.

For more details, refer to the [Powering On the MXI-Express x1 System](#) section of Chapter 3, [Installation and Configuration](#).

**MXI-3 required optimization software. Does MXI-Express x1 require the same?**

No. The necessary optimization is now done automatically by the MXI-Express x1 hardware.

## Can I use MXI-Express x1 products in place of MXI-4?

Yes. There are products that offer the same PCI slot-to-PXI chassis connectivity as MXI-4 with a few differences, as shown in Table A-1.

**Table A-1.** Feature Comparison Between MXI-4 and Comparable MXI-Express x1 Products

Features	MXI-4 Copper (PCI/PXI-8331)	MXI-Express x1 Copper (PCI/PXI-8360, PXI-8364)
Maximum Cable Length	10 m	7 m
PXI Modules Interchangeable Between PXI Controller or Peripheral Slots	Yes	No*
PXI Hybrid Slot Compatibility <sup>†</sup>	No	Yes
PCI Slot Voltage Compatibility	Universal	Universal
PXI Slot Voltage Compatibility	5 V <sup>‡</sup>	Universal
Sustained Throughput (MB/s)	Up to 78**	Up to 100**
Cable Connector Type	4-pin serial D-Sub	18-pin PCI Express x1 D-Sub
LEDs for Power/Link	2/2	1/2/1
LEDs for Activity	2/2	0/0/0
PCI Express Slot to PXI Link Capability***	No	Yes
ExpressCard Slot to PXI Link Capability***	No	Yes
Low-Profile Height for PCI Board	No	Yes
<p>* Unlike MXI-4, the MXI-Express-based PXI controller modules are different from the PXI peripheral modules used to daisy-chain to subsequent chassis.</p> <p><sup>†</sup> With hybrid slot support, you can connect an expansion chassis to a PXI Express chassis that contains PXI hybrid slots.</p> <p>** Actual throughput performance varies depending on the system setup and composition.</p> <p><sup>‡</sup> Universal options for copper and fiber-optic MXI-4 products are available upon request.</p> <p>*** With the copper MXI-Express PXI modules, you can control a PXI chassis from a PCI Express or ExpressCard slot in your host computer using the NI PCIe-8361, NI PCIe-8362, or NI ExpressCard-8360.</p>		



**Note** In addition to these differences, there is one additional PCI bridge across the host and target link compared to a MXI-4 link which will be visible to the operating system (OS). If you replace any MXI-4 compatible products with MXI-Express x1 products, the additional bridge will cause the OS to rediscover all devices that were part of the existing MXI system. This causes the OS to change the reference names used by driver software.

The result is that all device resource names that are part of the MXI system will change, such as the names used in Measurement & Automation Explorer (MAX) and VISA.

## General Software

---

### **Under which operating systems will MXI-Express x1 products work?**

MXI-Express x1 will be recognized as a collection of PCI-to-PCI bridges to the majority of operating systems. It should automatically have CompactPCI Express support with most systems like Windows, Macintosh OS X, Linux, and Solaris. For full PXI Express functionality, PXI Platform Services software is required. Refer to the [Software Installation and Configuration](#) section of Chapter 3, [Installation and Configuration](#), for more information.

### **What software is required to use my MXI-Express x1 kit?**

For Windows and LabVIEW RT, the required software is included as part of the latest version of NI PXI Platform Services included with your kit. The software for your MXI-Express x1 controller enhances the product, allowing you to view information about the organization of your PXI system, gain access to the trigger routing capabilities of the PXI or PXI Express chassis, and programmatically retrieve data about the chassis and modules you have installed.

Please refer to the following KnowledgeBase for the current supported operating systems for NI PXI Platform Services:

*KB 53399AQ7: PXI Platform Services Operating System Support*

If your operating system is not supported by PXI Platform Services, you can still use MXI-Express x1 as a PCI Express expansion solution. However, access to features such as chassis and controller identification, trigger routing, and slot detection will be lost.

---

# Specifications

This appendix lists the system specifications for the following products only:

- [NI PCI-8361 \(199392x-01L\)](#)
- [NI PCIe-8361 \(199042x-01L\)](#)
- [NI PCIe-8362 \(190735x-01L\)](#)
- [NI PXI-8360 \(191373x-01\)](#)
- [NI PXI-8364 \(199991x-02L\)](#)
- [NI PXIe-8360 \(194402x-01L\)](#)
- [NI PXIe-8364 \(193970x-01L\)](#)
- [NI ExpressCard-8360 \(198266x-01L\)](#)



**Note** The model numbers listed below are followed by their specific NI assembly numbers in parentheses. *x* denotes all letter revisions of the assembly. Ensure the specifications of interest match the NI assembly number that is printed on either the front or back side of the board.

For specifications on previous generations of products, refer to Appendix C, [Specifications for Legacy Products](#).

# NI PCI-8361 (199392x-01L)



**Note** These specifications are typical at 25 °C, unless otherwise stated, and are subject to change without notice.

## Physical

Dimensions .....6.3 × 12.1 cm (2.48 × 4.76 in.)

Maximum cable length .....7 m

Slot requirements .....One PCI slot (standard height or low profile)

Compatibility .....Fully compatible with the  
*PCI Specification, Revision 3.0*

Weight .....0.05 kg (0.11 lb) typical

## Power Requirements

Power Rail	Typical Current	Maximum Current
+3.3 V	155 mA	250 mA
+5 V	155 mA	250 mA
V <sub>IO</sub>	0 A	1 mA

## Environment

Maximum altitude.....2,000 m

Pollution Degree .....2

Indoor use only.

## Operating Environment

Ambient temperature range .....0 to 55 °C  
(Tested in accordance with  
IEC-60068-2-1 and  
IEC-60068-2-2.)



Operating relative humidity ..... 10 to 90%, noncondensing  
(Tested in accordance with  
IEC-60068-2-56.)

## Storage Environment

Ambient temperature range..... –20 to 70 °C  
(Tested in accordance with  
IEC-60068-2-1 and  
IEC-60068-2-2.)

Relative humidity range ..... 5 to 95%, noncondensing  
(Tested in accordance with  
IEC-60068-2-56.)

## Safety

This product is designed to meet the requirements of the following standards of safety for electrical equipment for measurement, control, and laboratory use:

- IEC 61010-1, EN 61010-1
- UL 61010-1, CSA 61010-1



**Note** For UL and other safety certifications, refer to the product label or the [Online Product Certification](#) section.

## Electromagnetic Compatibility

This product is designed to meet the requirements of the following standards of EMC for electrical equipment for measurement, control, and laboratory use:

- EN 61326-1 (IEC 61326-1): Class A emissions; Basic immunity
- EN 55011 (CISPR 11): Group 1, Class A emissions
- AS/NZS CISPR 11: Group 1, Class A emissions
- FCC 47 CFR Part 15B: Class A emissions
- ICES-001: Class A emissions



**Note** For EMC declarations and certifications, refer to the [Online Product Certification](#) section.

## CE Compliance

This product meets the essential requirements of applicable European Directives as follows:

- 2006/95/EC; Low-Voltage Directive (safety)
- 2004/108/EC; Electromagnetic Compatibility Directive (EMC)

## Online Product Certification

To obtain product certifications and the Declaration of Conformity (DoC) for this product, visit [ni.com/certification](http://ni.com/certification), search by model number or product line, and click the appropriate link in the Certification column.

## Environmental Management

National Instruments is committed to designing and manufacturing products in an environmentally responsible manner. NI recognizes that eliminating certain hazardous substances from our products is beneficial to the environment and to NI customers.

For additional environmental information, refer to the *NI and the Environment* Web page at [ni.com/environment](http://ni.com/environment). This page contains the environmental regulations and directives with which NI complies, as well as other environmental information not included in this document.

## Waste Electrical and Electronic Equipment (WEEE)



**EU Customers** At the end of the product life cycle, all products *must* be sent to a WEEE recycling center. For more information about WEEE recycling centers, National Instruments WEEE initiatives, and compliance with WEEE Directive 2002/96/EC on Waste and Electronic Equipment, visit [ni.com/environment/weee](http://ni.com/environment/weee).

## 电子信息产品污染控制管理办法（中国 RoHS）



**中国客户** National Instruments 符合中国电子信息产品中限制使用某些有害物质指令 (RoHS)。关于 National Instruments 中国 RoHS 合规性信息, 请登录 [ni.com/environment/rohs\\_china](http://ni.com/environment/rohs_china)。(For information about China RoHS compliance, go to [ni.com/environment/rohs\\_china](http://ni.com/environment/rohs_china).)

## Cleaning

If you need to clean the module, use a soft, nonmetallic brush. Make sure that the module is completely dry and free from contaminants before returning it to service.

# NI PCIe-8361 (199042x-01L)



**Note** These specifications are typical at 25 °C, unless otherwise stated, and are subject to change without notice.

## Physical

Dimensions.....	6.7 × 7.1 cm (2.6 × 2.8 in.)
Maximum cable length.....	7 m
Slot requirements .....	One slot (PCI Express, standard height or low profile)
Compatibility .....	Fully compatible with the <i>PCI Express Specification,</i> Revision 1.0a
Weight.....	0.04 kg (0.08 lb) typical

## Power Requirements

Power Rail	Typical Current	Maximum Current
+3.3 V	360 mA	450 mA
+3.3 V <sub>Aux</sub>	1 mA	10 mA
+12 V	0 A	0 A

## Environment

Maximum altitude .....	2,000 m
Pollution Degree .....	2
Indoor use only.	

## Operating Environment

Ambient temperature range.....	0 to 55 °C (Tested in accordance with IEC-60068-2-1 and IEC-60068-2-2.)
--------------------------------	--

Relative humidity range.....10 to 90%, noncondensing  
(Tested in accordance with  
IEC-60068-2-56.)

## Storage Environment

Ambient temperature range .....-20 to 70 °C  
(Tested in accordance with  
IEC-60068-2-1 and  
IEC-60068-2-2.)

Relative humidity range.....5 to 95%, noncondensing  
(Tested in accordance with  
IEC-60068-2-56.)

## Safety

This product is designed to meet the requirements of the following standards of safety for electrical equipment for measurement, control, and laboratory use:

- IEC 61010-1, EN 61010-1
- UL 61010-1, CSA 61010-1



**Note** For UL and other safety certifications, refer to the product label or the [Online Product Certification](#) section.

## Electromagnetic Compatibility

This product is designed to meet the requirements of the following standards of EMC for electrical equipment for measurement, control, and laboratory use:

- EN 61326-1 (IEC 61326-1): Class A emissions; Basic immunity
- EN 55011 (CISPR 11): Group 1, Class A emissions
- AS/NZS CISPR 11: Group 1, Class A emissions
- FCC 47 CFR Part 15B: Class A emissions
- ICES-001: Class A emissions



**Note** For EMC declarations and certifications, refer to the [Online Product Certification](#) section.

## CE Compliance

This product meets the essential requirements of applicable European Directives as follows:

- 2006/95/EC; Low-Voltage Directive (safety)
- 2004/108/EC; Electromagnetic Compatibility Directive (EMC)

## Online Product Certification

To obtain product certifications and the Declaration of Conformity (DoC) for this product, visit [ni.com/certification](http://ni.com/certification), search by model number or product line, and click the appropriate link in the Certification column.

## Environmental Management

National Instruments is committed to designing and manufacturing products in an environmentally responsible manner. NI recognizes that eliminating certain hazardous substances from our products is beneficial to the environment and to NI customers.

For additional environmental information, refer to the *NI and the Environment* Web page at [ni.com/environment](http://ni.com/environment). This page contains the environmental regulations and directives with which NI complies, as well as other environmental information not included in this document.

## Waste Electrical and Electronic Equipment (WEEE)



**EU Customers** At the end of the product life cycle, all products *must* be sent to a WEEE recycling center. For more information about WEEE recycling centers, National Instruments WEEE initiatives, and compliance with WEEE Directive 2002/96/EC on Waste and Electronic Equipment, visit [ni.com/environment/weee](http://ni.com/environment/weee).

## 电子信息产品污染控制管理办法（中国 RoHS）



**中国客户** National Instruments 符合中国电子信息产品中限制使用某些有害物质指令 (RoHS)。关于 National Instruments 中国 RoHS 合规性信息，请登录 [ni.com/environment/rohs\\_china](http://ni.com/environment/rohs_china)。(For information about China RoHS compliance, go to [ni.com/environment/rohs\\_china](http://ni.com/environment/rohs_china).)

## Cleaning

If you need to clean the module, use a soft, nonmetallic brush. Make sure that the module is completely dry and free from contaminants before returning it to service.

# NI PCIe-8362 (190735x-01L)



**Note** These specifications are typical at 25 °C, unless otherwise stated, and are subject to change without notice.

## Physical

- Dimensions .....9.93 × 7.11 cm (3.91 × 2.8 in.)
- Maximum cable length .....7 m
- Slot requirements .....One slot (PCI Express, standard height)
- Compatibility .....Fully compatible with the *PCI Express Specification, Revision 1.0a*
- Weight .....0.05 kg (0.12 lb) typical

## Power Requirements

Power Rail	Typical Current	Maximum Current
+3.3 V	580 mA	1.040 A
+3.3 V <sub>Aux</sub>	10 mA	50 mA
+12 V	0 A	0 A

## Environment

- Maximum altitude.....2,000 m
- Pollution Degree .....2
- Indoor use only.

## Operating Environment

- Ambient temperature range .....0 to 55 °C  
(Tested in accordance with IEC-60068-2-1 and IEC-60068-2-2.)

Operating relative humidity ..... 10 to 90%, noncondensing  
(Tested in accordance with  
IEC-60068-2-56.)

## Storage Environment

Ambient temperature range..... –40 to 70 °C  
(Tested in accordance with  
IEC-60068-2-1 and  
IEC-60068-2-2.)

Storage relative humidity ..... 5 to 95%, noncondensing  
(Tested in accordance with  
IEC-60068-2-56.)

## Safety

This product is designed to meet the requirements of the following standards of safety for electrical equipment for measurement, control, and laboratory use:

- IEC 61010-1, EN 61010-1
- UL 61010-1, CSA 61010-1



**Note** For UL and other safety certifications, refer to the product label or the [Online Product Certification](#) section.

## Electromagnetic Compatibility

This product is designed to meet the requirements of the following standards of EMC for electrical equipment for measurement, control, and laboratory use:

- EN 61326-1 (IEC 61326-1): Class A emissions; Basic immunity
- EN 55011 (CISPR 11): Group 1, Class A emissions
- AS/NZS CISPR 11: Group 1, Class A emissions
- FCC 47 CFR Part 15B: Class A emissions
- ICES-001: Class A emissions



**Note** For EMC declarations and certifications, refer to the [Online Product Certification](#) section.

## CE Compliance

This product meets the essential requirements of applicable European Directives as follows:

- 2006/95/EC; Low-Voltage Directive (safety)
- 2004/108/EC; Electromagnetic Compatibility Directive (EMC)

## Online Product Certification

To obtain product certifications and the Declaration of Conformity (DoC) for this product, visit [ni.com/certification](http://ni.com/certification), search by model number or product line, and click the appropriate link in the Certification column.

## Environmental Management

National Instruments is committed to designing and manufacturing products in an environmentally responsible manner. NI recognizes that eliminating certain hazardous substances from our products is beneficial to the environment and to NI customers.

For additional environmental information, refer to the *NI and the Environment* Web page at [ni.com/environment](http://ni.com/environment). This page contains the environmental regulations and directives with which NI complies, as well as other environmental information not included in this document.

## Waste Electrical and Electronic Equipment (WEEE)



**EU Customers** At the end of the product life cycle, all products *must* be sent to a WEEE recycling center. For more information about WEEE recycling centers, National Instruments WEEE initiatives, and compliance with WEEE Directive 2002/96/EC on Waste and Electronic Equipment, visit [ni.com/environment/weee](http://ni.com/environment/weee).

## 电子信息产品污染控制管理办法（中国 RoHS）



**中国客户** National Instruments 符合中国电子信息产品中限制使用某些有害物质指令 (RoHS)。关于 National Instruments 中国 RoHS 合规性信息, 请登录 [ni.com/environment/rohs\\_china](http://ni.com/environment/rohs_china)。(For information about China RoHS compliance, go to [ni.com/environment/rohs\\_china](http://ni.com/environment/rohs_china).)

## Cleaning

If you need to clean the module, use a soft, nonmetallic brush. Make sure that the module is completely dry and free from contaminants before returning it to service.



# NI PXI-8360 (191373x-01)



**Note** These specifications are typical at 25 °C, unless otherwise stated, and are subject to change without notice.

## Physical

Dimensions.....	10.0 × 16.0 cm (3.9 × 6.3 in.)
Maximum cable length.....	7 m
Slot requirements .....	One PXI controller slot
Compatibility .....	Fully compatible with the <i>PXI Hardware Specification</i> , Revision 1.0
Weight.....	0.25 kg (0.55 lb) typical

## Power Requirements

Power Rail	Typical Current	Maximum Current
+3.3 V	1.500 A	1.750 A
+5 V	5 mA	20 mA
+12 V	5 mA	20 mA
-12 V	0 mA	0 mA

## Environment

Maximum altitude .....	2,000 m
Pollution Degree .....	2
Indoor use only.	

## Operating Environment

Ambient temperature range.....	0 to 55 °C (Tested in accordance with IEC-60068-2-1 and IEC-60068-2-2.)
--------------------------------	--

Operating relative humidity .....10 to 90%, noncondensing  
(Tested in accordance with IEC-60068-2-56.)

## Storage Environment

Ambient temperature range .....-40 to 70 °C  
(Tested in accordance with IEC-60068-2-1 and IEC-60068-2-2.)

Storage relative humidity .....5 to 95%, noncondensing  
(Tested in accordance with IEC-60068-2-56.)

## Shock and Vibration

Operational shock .....30 g peak, half-sine, 11 ms pulse  
(Tested in accordance with IEC-60068-2-27. Test profile developed in accordance with MIL-PRF-28800F.)

## Random Vibration

Operating .....5 to 500 Hz, 0.3 g<sub>rms</sub>

Nonoperating .....5 to 500 Hz, 2.4 g<sub>rms</sub>  
(Tested in accordance with IEC-60068-2-64. Nonoperating test profile exceeds the requirements of MIL-PRF-28800F, Class 3.)

## Safety

This product is designed to meet the requirements of the following standards of safety for electrical equipment for measurement, control, and laboratory use:

- IEC 61010-1, EN 61010-1
- UL 61010-1, CSA 61010-1



**Note** For UL and other safety certifications, refer to the product label or the *Online Product Certification* section.

## Electromagnetic Compatibility

This product is designed to meet the requirements of the following standards of EMC for electrical equipment for measurement, control, and laboratory use:

- EN 61326-1 (IEC 61326-1): Class A emissions; Basic immunity
- EN 55011 (CISPR 11): Group 1, Class A emissions
- AS/NZS CISPR 11: Group 1, Class A emissions
- FCC 47 CFR Part 15B: Class A emissions
- ICES-001: Class A emissions



**Note** For EMC declarations and certifications, refer to the *Online Product Certification* section.

## CE Compliance

This product meets the essential requirements of applicable European Directives as follows:

- 2006/95/EC; Low-Voltage Directive (safety)
- 2004/108/EC; Electromagnetic Compatibility Directive (EMC)

## Online Product Certification

To obtain product certifications and the Declaration of Conformity (DoC) for this product, visit [ni.com/certification](http://ni.com/certification), search by model number or product line, and click the appropriate link in the Certification column.

## Environmental Management

National Instruments is committed to designing and manufacturing products in an environmentally responsible manner. NI recognizes that eliminating certain hazardous substances from our products is beneficial to the environment and to NI customers.

For additional environmental information, refer to the *NI and the Environment* Web page at [ni.com/environment](http://ni.com/environment). This page contains the environmental regulations and directives with which NI complies, as well as other environmental information not included in this document.

## Waste Electrical and Electronic Equipment (WEEE)



**EU Customers** At the end of the product life cycle, all products *must* be sent to a WEEE recycling center. For more information about WEEE recycling centers, National Instruments WEEE initiatives, and compliance with WEEE Directive 2002/96/EC on Waste and Electronic Equipment, visit [ni.com/environment/weee](http://ni.com/environment/weee).

## 电子信息产品污染控制管理办法（中国 RoHS）



**中国客户** National Instruments 符合中国电子信息产品中限制使用某些有害物质指令 (RoHS)。关于 National Instruments 中国 RoHS 合规性信息，请登录 [ni.com/environment/rohs\\_china](http://ni.com/environment/rohs_china)。(For information about China RoHS compliance, go to [ni.com/environment/rohs\\_china](http://ni.com/environment/rohs_china).)

## Cleaning

If you need to clean the module, use a soft, nonmetallic brush. Make sure that the module is completely dry and free from contaminants before returning it to service.

# NI PXI-8364 (199991x-02L)



**Note** These specifications are typical at 25 °C, unless otherwise stated, and are subject to change without notice.

## Physical

Dimensions.....	10.0 × 16.0 cm (3.9 × 6.3 in.)
Maximum cable length.....	7 m
Slot requirements .....	One PXI or PXI hybrid peripheral slot
Compatibility .....	Fully compatible with the <i>PXI Hardware Specification</i> , Revision 2.1
Weight.....	0.13 kg (0.28 lb) typical

## Power Requirements

Power Rail	Typical Current	Maximum Current
+3.3 V	420 mA	650 mA
+5 V	13 mA	15 mA
+12 V	10 mA	12 mA
-12 V	0 A	0 A
V <sub>IO</sub>	0 A	1 mA

## Environment

Maximum altitude .....	2,000 m
Pollution Degree .....	2
Indoor use only.	

## Operating Environment

- Ambient temperature range .....0 to 55 °C  
(Tested in accordance with IEC-60068-2-1 and IEC-60068-2-2.)
- Operating relative humidity .....10 to 90%, noncondensing  
(Tested in accordance with IEC-60068-2-56.)

## Storage Environment

- Ambient temperature range .....-40 to 70 °C  
(Tested in accordance with IEC-60068-2-1 and IEC-60068-2-2.)
- Relative humidity range.....5 to 95%, noncondensing  
(Tested in accordance with IEC-60068-2-56.)

## Shock and Vibration

- Operational shock .....30 g peak, half-sine, 11 ms pulse  
(Tested in accordance with IEC-60068-2-27. Test profile developed in accordance with MIL-PRF-28800F.)
- Nonoperating shock .....50 g peak, half-sine, 11 ms pulse  
(Tested in accordance with IEC-60068-2-27.)

## Random Vibration

- Operating .....5 to 500 Hz, 0.3 g<sub>rms</sub>
- Nonoperating .....5 to 500 Hz, 2.4 g<sub>rms</sub>  
(Tested in accordance with IEC-60068-2-64. Nonoperating test profile exceeds the requirements of MIL-PRF-28800F, Class 3.)

## Safety

This product is designed to meet the requirements of the following standards of safety for electrical equipment for measurement, control, and laboratory use:

- IEC 61010-1, EN 61010-1
- UL 61010-1, CSA 61010-1



**Note** For UL and other safety certifications, refer to the product label or the *Online Product Certification* section.

## Electromagnetic Compatibility

This product is designed to meet the requirements of the following standards of EMC for electrical equipment for measurement, control, and laboratory use:

- EN 61326-1 (IEC 61326-1): Class A emissions; Basic immunity
- EN 55011 (CISPR 11): Group 1, Class A emissions
- AS/NZS CISPR 11: Group 1, Class A emissions
- FCC 47 CFR Part 15B: Class A emissions
- ICES-001: Class A emissions



**Note** For EMC declarations and certifications, refer to the *Online Product Certification* section.

## CE Compliance

This product meets the essential requirements of applicable European Directives as follows:

- 2006/95/EC; Low-Voltage Directive (safety)
- 2004/108/EC; Electromagnetic Compatibility Directive (EMC)

## Online Product Certification

To obtain product certifications and the Declaration of Conformity (DoC) for this product, visit [ni.com/certification](http://ni.com/certification), search by model number or product line, and click the appropriate link in the Certification column.

## Environmental Management

National Instruments is committed to designing and manufacturing products in an environmentally responsible manner. NI recognizes that eliminating certain hazardous substances from our products is beneficial to the environment and to NI customers.

For additional environmental information, refer to the *NI and the Environment* Web page at [ni.com/environment](http://ni.com/environment). This page contains the environmental regulations and directives with which NI complies, as well as other environmental information not included in this document.

## Waste Electrical and Electronic Equipment (WEEE)



**EU Customers** At the end of the product life cycle, all products *must* be sent to a WEEE recycling center. For more information about WEEE recycling centers, National Instruments WEEE initiatives, and compliance with WEEE Directive 2002/96/EC on Waste and Electronic Equipment, visit [ni.com/environment/weee](http://ni.com/environment/weee).

## 电子信息产品污染控制管理办法（中国 RoHS）



**中国客户** National Instruments 符合中国电子信息产品中限制使用某些有害物质指令 (RoHS)。关于 National Instruments 中国 RoHS 合规性信息，请登录 [ni.com/environment/rohs\\_china](http://ni.com/environment/rohs_china)。(For information about China RoHS compliance, go to [ni.com/environment/rohs\\_china](http://ni.com/environment/rohs_china).)

## Cleaning

If you need to clean the module, use a soft, nonmetallic brush. Make sure that the module is completely dry and free from contaminants before returning it to service.



# NI PXIe-8360 (194402x-01L)



**Note** These specifications are typical at 25 °C, unless otherwise stated, and are subject to change without notice.

## Physical

Dimensions.....	10.0 × 16.0 cm (3.9 × 6.3 in.)
Maximum cable length.....	7 m
Slot requirements .....	One PXI Express system slot
Compatibility .....	Fully compatible with the <i>PXI-5 Express Hardware Specification, Revision 1.0</i>
Weight.....	0.17 kg (0.37 lb) typical

## Power Requirements

Power Rail	Typical Current	Maximum Current
+3.3 V	2.5 A	3 A
+5 V	10 μA	3 mA
+12 V	750 μA	1 mA
+5 V <sub>Aux</sub>	0.3 A	0.4 A
-12 V	0 A	0 A

## Environment

Maximum altitude .....	2,000 m
Pollution Degree .....	2
Indoor use only.	

## Operating Environment

- Ambient temperature range .....0 to 55 °C  
(Tested in accordance with IEC-60068-2-1 and IEC-60068-2-2. Meets MIL-PRF-28800F Class 3 low temperature limit and MIL-PRF-28800F Class 2 high temperature limit.)
- Operating relative humidity .....10 to 90%, noncondensing  
(Tested in accordance with IEC-60068-2-56.)

## Storage Environment

- Ambient temperature range .....-40 to 71 °C  
(Tested in accordance with IEC-60068-2-1 and IEC-60068-2-2. Meets MIL-PRF-28800F Class 3 limits.)
- Relative humidity range.....5 to 95%, noncondensing  
(Tested in accordance with IEC-60068-2-56)

## Shock and Vibration

- Operational shock .....30 g peak, half-sine, 11 ms pulse  
(Tested in accordance with IEC-60068-2-27. Test profile developed in accordance with MIL-PRF-28800F.)

## Random Vibration

- Operating .....5 to 500 Hz, 0.3 g<sub>rms</sub>
- Nonoperating .....5 to 500 Hz, 2.4 g<sub>rms</sub>  
(Tested in accordance with IEC-60068-2-64. Nonoperating test profile exceeds the requirements of MIL-PRF-28800F, Class 3.)

## Safety

This product is designed to meet the requirements of the following standards of safety for electrical equipment for measurement, control, and laboratory use:

- IEC 61010-1, EN 61010-1
- UL 61010-1, CSA 61010-1



**Note** For UL and other safety certifications, refer to the product label or the *Online Product Certification* section.

## Electromagnetic Compatibility

This product is designed to meet the requirements of the following standards of EMC for electrical equipment for measurement, control, and laboratory use:

- EN 61326-1 (IEC 61326-1): Class A emissions; Basic immunity
- EN 55011 (CISPR 11): Group 1, Class A emissions
- AS/NZS CISPR 11: Group 1, Class A emissions
- FCC 47 CFR Part 15B: Class A emissions
- ICES-001: Class A emissions



**Note** For EMC declarations and certifications, refer to the *Online Product Certification* section.

## CE Compliance

This product meets the essential requirements of applicable European Directives as follows:

- 2006/95/EC; Low-Voltage Directive (safety)
- 2004/108/EC; Electromagnetic Compatibility Directive (EMC)

## Online Product Certification

To obtain product certifications and the Declaration of Conformity (DoC) for this product, visit [ni.com/certification](http://ni.com/certification), search by model number or product line, and click the appropriate link in the Certification column.

## Environmental Management

National Instruments is committed to designing and manufacturing products in an environmentally responsible manner. NI recognizes that eliminating certain hazardous substances from our products is beneficial to the environment and to NI customers.

For additional environmental information, refer to the *NI and the Environment* Web page at [ni.com/environment](http://ni.com/environment). This page contains the environmental regulations and directives with which NI complies, as well as other environmental information not included in this document.

## Waste Electrical and Electronic Equipment (WEEE)



**EU Customers** At the end of the product life cycle, all products *must* be sent to a WEEE recycling center. For more information about WEEE recycling centers, National Instruments WEEE initiatives, and compliance with WEEE Directive 2002/96/EC on Waste and Electronic Equipment, visit [ni.com/environment/weee](http://ni.com/environment/weee).

## 电子信息产品污染控制管理办法（中国 RoHS）



**中国客户** National Instruments 符合中国电子信息产品中限制使用某些有害物质指令 (RoHS)。关于 National Instruments 中国 RoHS 合规性信息，请登录 [ni.com/environment/rohs\\_china](http://ni.com/environment/rohs_china)。(For information about China RoHS compliance, go to [ni.com/environment/rohs\\_china](http://ni.com/environment/rohs_china).)

## Cleaning

If you need to clean the module, use a soft, nonmetallic brush. Make sure that the module is completely dry and free from contaminants before returning it to service.

# NI PXIe-8364 (193970x-01L)



**Note** These specifications are typical at 25 °C, unless otherwise stated, and are subject to change without notice.

## Physical

Dimensions.....	10.0 × 16.0 cm (3.9 × 6.3 in.)
Maximum cable length.....	7 m
Slot requirements .....	One peripheral slot (PXI Express or CompactPCI Express)
Compatibility .....	Fully compatible with the <i>PXI Express Hardware Specification, Revision 1.0</i> and the <i>PICMG CompactPCI Express EXP.0 R1.0 Specification</i>
Weight.....	0.15 kg (0.33 lb) typical

## Power Requirements

Power Rail	Typical Current	Maximum Current
+3.3 V	480 mA	700 mA
+12 V	430 mA	750 mA
+5 V <sub>Aux</sub>	5 mA	20 mA

## Environment

Maximum altitude .....	2,000 m
Pollution Degree .....	2
Indoor use only.	

## Operating Environment

- Ambient temperature range .....0 to 55 °C  
(Tested in accordance with IEC-60068-2-1 and IEC-60068-2-2. Meets MIL-PRF-28800F Class 3 low temperature limit and MIL-PRF-28800F Class 2 high temperature limit.)
- Operating relative humidity .....10 to 90%, noncondensing  
(Tested in accordance with IEC-60068-2-56.)

## Storage Environment

- Ambient temperature range .....-40 to 71 °C  
(Tested in accordance with IEC-60068-2-1 and IEC-60068-2-2. Meets MIL-PRF-28800F Class 3 limits.)
- Relative humidity range.....5 to 95%, noncondensing  
(Tested in accordance with IEC-60068-2-56)

## Shock and Vibration

- Operational shock .....30 g peak, half-sine, 11 ms pulse  
(Tested in accordance with IEC-60068-2-27. Meets MIL-PRF-28800F Class 2 limits.)

## Random Vibration

- Operating .....5 to 500 Hz, 0.3 g<sub>rms</sub>
- Nonoperating .....5 to 500 Hz, 2.4 g<sub>rms</sub>  
(Tested in accordance with IEC-60068-2-64. Nonoperating test profile exceeds the requirements of MIL-PRF-28800F, Class 3.)



**Caution** Clean the NI PXIe-8364 with a soft nonmetallic brush. Make sure that the device is completely dry and free from contaminants before returning it to service.



**Note** For full EMC compliance, operate this device with shielded cabling. In addition, all covers and filler panels must be installed. To obtain the DoC for this product, visit [ni.com/certification](http://ni.com/certification), search by model number or product line, and click the appropriate link in the Certification column.

## Safety

This product is designed to meet the requirements of the following standards of safety for electrical equipment for measurement, control, and laboratory use:

- IEC 61010-1, EN 61010-1
- UL 61010-1, CSA 61010-1



**Note** For UL and other safety certifications, refer to the product label or the [Online Product Certification](#) section.

## Electromagnetic Compatibility

This product is designed to meet the requirements of the following standards of EMC for electrical equipment for measurement, control, and laboratory use:

- EN 61326-1 (IEC 61326-1): Class A emissions; Basic immunity
- EN 55011 (CISPR 11): Group 1, Class A emissions
- AS/NZS CISPR 11: Group 1, Class A emissions
- FCC 47 CFR Part 15B: Class A emissions
- ICES-001: Class A emissions

## CE Compliance

This product meets the essential requirements of applicable European Directives, as amended for CE marking, as follows:

- 73/23/EEC; Low-Voltage Directive (safety)
- 89/336/EEC; Electromagnetic Compatibility Directive (EMC)

## Online Product Certification

To obtain product certifications and the Declaration of Conformity (DoC) for this product, visit [ni.com/certification](http://ni.com/certification), search by model number or product line, and click the appropriate link in the Certification column.

## Environmental Management

National Instruments is committed to designing and manufacturing products in an environmentally responsible manner. NI recognizes that eliminating certain hazardous substances from our products is beneficial to the environment and to NI customers.

For additional environmental information, refer to the *NI and the Environment* Web page at [ni.com/environment](http://ni.com/environment). This page contains the environmental regulations and directives with which NI complies, as well as other environmental information not included in this document.

## Waste Electrical and Electronic Equipment (WEEE)



**EU Customers** At the end of the product life cycle, all products *must* be sent to a WEEE recycling center. For more information about WEEE recycling centers, National Instruments WEEE initiatives, and compliance with WEEE Directive 2002/96/EC on Waste and Electronic Equipment, visit [ni.com/environment/weee](http://ni.com/environment/weee).

## 电子信息产品污染控制管理办法（中国 RoHS）



**中国客户** National Instruments 符合中国电子信息产品中限制使用某些有害物质指令 (RoHS)。关于 National Instruments 中国 RoHS 合规性信息，请登录 [ni.com/environment/rohs\\_china](http://ni.com/environment/rohs_china)。(For information about China RoHS compliance, go to [ni.com/environment/rohs\\_china](http://ni.com/environment/rohs_china).)

## Cleaning

If you need to clean the module, use a soft, nonmetallic brush. Make sure that the module is completely dry and free from contaminants before returning it to service.



# NI ExpressCard-8360 (198266x-01L)



**Note** These specifications are typical at 25 °C, unless otherwise stated, and are subject to change without notice.

## Physical

Dimensions.....	10.2 × 3.4 cm (4.0 × 1.3 in.)
Maximum cable length.....	7 m
Slot requirements .....	One 34 mm or 54 mm slot (ExpressCard)
Compatibility .....	<i>PCMCIA ExpressCard Standard,</i> Revision 1.0
Weight.....	0.29 kg (0.64 lb) typical

## Power Requirements

Power Rail	Typical Current	Maximum Current
+3.3 V	360 mA	450 mA
+3.3 V <sub>Aux</sub>	1 mA	10 mA
+1.5 V	0 A	0 A

## Environment

Maximum altitude .....	2,000 m
Pollution Degree .....	2
Indoor use only.	

## Operating Environment

- Ambient temperature range .....0 to 65 °C  
(Tested in accordance with IEC-60068-2-1 and IEC-60068-2-2.)
- Operating relative humidity .....5 to 95%, noncondensing  
(Tested in accordance with IEC-60068-2-56.)

## Storage Environment

- Ambient temperature range .....-20 to 65 °C  
(Tested in accordance with IEC-60068-2-1 and IEC-60068-2-2.)
- Nonoperating thermal shock.....-20 to 65 °C, 5 shocks

## Shock and Vibration

- Nonoperating shock .....50 g, 11 ms  
(Tested in accordance with IEC-60068-2-27.) Test profile developed in accordance with MIL-PRF-28800F.
- Nonoperating vibration sinusoidal .....15 g 100 to 2000 Hz  
(Tested in accordance with IEC-60068-2-6.) Nonoperating test profile exceeds the requirements of MIL-PRF-28800F, Class 3.)
- Nonoperating drop test .....2 drops in 3 mutually exclusive axes from 75 cm onto no-cushioning vinyl tile surface

## Safety

This product is designed to meet the requirements of the following standards of safety for electrical equipment for measurement, control, and laboratory use:

- IEC 61010-1, EN 61010-1
- UL 61010-1, CSA 61010-1



**Note** For UL and other safety certifications, refer to the product label or the *Online Product Certification* section.

## Electromagnetic Compatibility

This product is designed to meet the requirements of the following standards of EMC for electrical equipment for measurement, control, and laboratory use:

- EN 61326-1 (IEC 61326-1): Class A emissions; Basic immunity
- EN 55011 (CISPR 11): Group 1, Class A emissions
- AS/NZS CISPR 11: Group 1, Class A emissions
- FCC 47 CFR Part 15B: Class A emissions
- ICES-001: Class A emissions



**Note** For EMC declarations and certifications, refer to the *Online Product Certification* section.

## CE Compliance

This product meets the essential requirements of applicable European Directives as follows:

- 2006/95/EC; Low-Voltage Directive (safety)
- 2004/108/EC; Electromagnetic Compatibility Directive (EMC)

## Online Product Certification

To obtain product certifications and the Declaration of Conformity (DoC) for this product, visit [ni.com/certification](http://ni.com/certification), search by model number or product line, and click the appropriate link in the Certification column.

## Environmental Management

National Instruments is committed to designing and manufacturing products in an environmentally responsible manner. NI recognizes that eliminating certain hazardous substances from our products is beneficial to the environment and to NI customers.

For additional environmental information, refer to the *NI and the Environment* Web page at [ni.com/environment](http://ni.com/environment). This page contains the environmental regulations and directives with which NI complies, as well as other environmental information not included in this document.

## Waste Electrical and Electronic Equipment (WEEE)



**EU Customers** At the end of the product life cycle, all products *must* be sent to a WEEE recycling center. For more information about WEEE recycling centers, National Instruments WEEE initiatives, and compliance with WEEE Directive 2002/96/EC on Waste and Electronic Equipment, visit [ni.com/environment/weee](http://ni.com/environment/weee).

## 电子信息产品污染控制管理办法（中国 RoHS）



**中国客户** National Instruments 符合中国电子信息产品中限制使用某些有害物质指令 (RoHS)。关于 National Instruments 中国 RoHS 合规性信息，请登录 [ni.com/environment/rohs\\_china](http://ni.com/environment/rohs_china)。(For information about China RoHS compliance, go to [ni.com/environment/rohs\\_china](http://ni.com/environment/rohs_china).)

## Cleaning

If you need to clean the module, use a soft, nonmetallic brush. Make sure that the module is completely dry and free from contaminants before returning it to service.



---

# Specifications for Legacy Products

This appendix lists the system specifications for the following products only:

- NI PCI-8366 (199392x-02L)<sup>1</sup>
- NI PCIe-8361 (195315x-01L)
- NI PCIe-8361 (191376x-02)<sup>1</sup>
- NI PCIe-8362 (191376x-01)<sup>1</sup>
- NI PXI-8361 (199991x-01L)<sup>1</sup>
- NI PXI-8366 (199991x-03L)<sup>1</sup>
- NI PXI-8367 (199991x-04L)<sup>1</sup>
- NI ExpressCard-8360 (192290x-01)<sup>1</sup>



**Note** The model numbers listed below are followed by their specific NI assembly numbers in parentheses. *x* denotes all letter revisions of the assembly. Ensure the specifications of interest match the NI assembly number that is printed on either the front or back side of the board.

For specifications on current generation products, refer to Appendix B, *Specifications*.

---

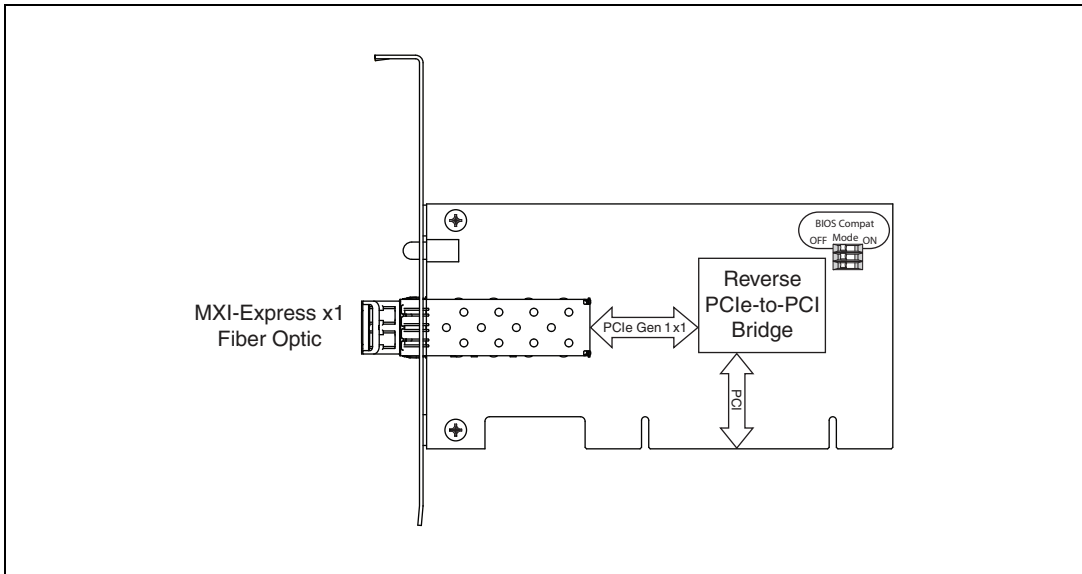
<sup>1</sup> No longer available for purchase.

# NI PCI-8366 (199392x-02L)



**Note** These specifications are typical at 25 °C, unless otherwise stated, and are subject to change without notice.

## Functional Block Diagram



**Figure C-1.** NI PCI-8366 (199392x-02L) Block Diagram



**Note** For instructions to install the low-profile bracket, refer to Appendix D, [NI PCI-8366 Low-Profile Bracket Installation Instructions](#).

## Connectivity Support

From Host		Targets	
Slot Type	Product	PXI Chassis	
		NI PXI-8366	NI PXI-8336*
PCI	NI PCI-8366	✓	—
PCI	NI PCI-8336*	—	✓*

\* The NI PCI-8336 and PXI-8336 are part of the MXI-4 family of products and have the same cable connectors as the NI PCI-8366, NI PXI-8366, and NI PXI-8367, but will only function when connected in the valid case as shown.

## Physical

Dimensions.....	6.3 × 12.1 cm (2.48 × 4.76 in.)
Maximum cable length.....	200 m (Fiber-Optic)
Slot requirements .....	One PCI slot (standard height or low profile)
Compatibility .....	Fully compatible with the <i>PCI Specification, Revision 3.0</i>
Weight.....	0.07 kg (0.15 lb) typical

## LED Status Descriptions

LED	Color	Meaning
PWR/LINK	Off	Power is off
	Blinking Red	Power is out of spec
	Solid Amber	Power is within spec; no link to chassis
	Solid Green	Power is within spec; link established

## Power Requirements

Power Rail	Typical Current	Maximum Current
+3.3 V	155 mA	250 mA
+5 V	265 mA	400 mA
V <sub>IO</sub>	0 A	1 mA

## Environment

Maximum altitude.....2,000 m

Pollution Degree .....2

Indoor use only.

### Operating Environment

Ambient temperature range .....0 to 55 °C  
 (Tested in accordance with  
 IEC-60068-2-1 and  
 IEC-60068-2-2.)

Operating relative humidity .....10 to 90%, noncondensing  
 (Tested in accordance with  
 IEC-60068-2-56.)

### Storage Environment

Ambient temperature range .....-20 to 70 °C  
 (Tested in accordance with  
 IEC-60068-2-1 and  
 IEC-60068-2-2.)

Relative humidity range.....5 to 95%, noncondensing  
 (Tested in accordance with  
 IEC-60068-2-56.)



## Safety

This product is designed to meet the requirements of the following standards of safety for electrical equipment for measurement, control, and laboratory use:

- IEC 61010-1, EN 61010-1
- UL 61010-1, CSA 61010-1



**Note** For UL and other safety certifications, refer to the product label or the *Online Product Certification* section.

## Electromagnetic Compatibility

This product is designed to meet the requirements of the following standards of EMC for electrical equipment for measurement, control, and laboratory use:

- EN 61326-1 (IEC 61326-1): Class A emissions; Basic immunity
- EN 55011 (CISPR 11): Group 1, Class A emissions
- AS/NZS CISPR 11: Group 1, Class A emissions
- FCC 47 CFR Part 15B: Class A emissions
- ICES-001: Class A emissions



**Note** For EMC declarations and certifications, refer to the *Online Product Certification* section.

## CE Compliance

This product meets the essential requirements of applicable European Directives as follows:

- 2006/95/EC; Low-Voltage Directive (safety)
- 2004/108/EC; Electromagnetic Compatibility Directive (EMC)

## Online Product Certification

To obtain product certifications and the Declaration of Conformity (DoC) for this product, visit [ni.com/certification](http://ni.com/certification), search by model number or product line, and click the appropriate link in the Certification column.

## Environmental Management

National Instruments is committed to designing and manufacturing products in an environmentally responsible manner. NI recognizes that eliminating certain hazardous substances from our products is beneficial to the environment and to NI customers.

For additional environmental information, refer to the *NI and the Environment* Web page at [ni.com/environment](http://ni.com/environment). This page contains the environmental regulations and directives with which NI complies, as well as other environmental information not included in this document.

### Waste Electrical and Electronic Equipment (WEEE)



**EU Customers** At the end of the product life cycle, all products *must* be sent to a WEEE recycling center. For more information about WEEE recycling centers, National Instruments WEEE initiatives, and compliance with WEEE Directive 2002/96/EC on Waste and Electronic Equipment, visit [ni.com/environment/weee](http://ni.com/environment/weee).

### 电子信息产品污染控制管理办法（中国 RoHS）



**中国客户** National Instruments 符合中国电子信息产品中限制使用某些有害物质指令 (RoHS)。关于 National Instruments 中国 RoHS 合规性信息，请登录 [ni.com/environment/rohs\\_china](http://ni.com/environment/rohs_china)。(For information about China RoHS compliance, go to [ni.com/environment/rohs\\_china](http://ni.com/environment/rohs_china).)

## Cleaning

If you need to clean the module, use a soft, nonmetallic brush. Make sure that the module is completely dry and free from contaminants before returning it to service.

# NI PCIe-8361 (195315x-01L)



**Note** These specifications are typical at 25 °C, unless otherwise stated, and are subject to change without notice.

## Physical

Dimensions.....	6.9 × 8.9 cm (2.7 × 3.5 in.)
Maximum cable length.....	7 m
Slot requirements .....	One slot (PCI Express, standard height or low profile)
Compatibility .....	Fully compatible with the <i>PCI Express Specification,</i> Revision 1.0a
Weight.....	0.04 kg (0.08 lb) typical

## Power Requirements

Power Rail	Typical Current	Maximum Current
+3.3 V	200 mA	400 mA
+3.3 V <sub>Aux</sub>	10 mA	50 mA
+12 V	0 A	0 A

## Environment

Maximum altitude .....	2,000 m
Pollution Degree .....	2
Indoor use only	

## Operating Environment

Ambient temperature range .....0 to 55 °C  
(Tested in accordance with  
IEC-60068-2-1 and  
IEC-60068-2-2.)

Relative humidity range.....10 to 90%, noncondensing  
(Tested in accordance with  
IEC-60068-2-56.)

## Storage Environment

Ambient temperature range .....-20 to 70 °C  
(Tested in accordance with  
IEC-60068-2-1 and  
IEC-60068-2-2.)

Relative humidity range.....5 to 95%, noncondensing  
(Tested in accordance with  
IEC-60068-2-56.)

## Safety

This product is designed to meet the requirements of the following standards of safety for electrical equipment for measurement, control, and laboratory use:

- IEC 61010-1, EN 61010-1
- UL 61010-1, CSA 61010-1



**Note** For UL and other safety certifications, refer to the product label or the [Online Product Certification](#) section.

## Electromagnetic Compatibility

This product is designed to meet the requirements of the following standards of EMC for electrical equipment for measurement, control, and laboratory use:

- EN 61326-1 (IEC 61326-1): Class A emissions; Basic immunity
- EN 55011 (CISPR 11): Group 1, Class A emissions
- AS/NZS CISPR 11: Group 1, Class A emissions
- FCC 47 CFR Part 15B: Class A emissions
- ICES-001: Class A emissions



**Note** For EMC declarations and certifications, refer to the *Online Product Certification* section.

## CE Compliance (€)

This product meets the essential requirements of applicable European Directives as follows:

- 2006/95/EC; Low-Voltage Directive (safety)
- 2004/108/EC; Electromagnetic Compatibility Directive (EMC)

## Online Product Certification

To obtain product certifications and the Declaration of Conformity (DoC) for this product, visit [ni.com/certification](http://ni.com/certification), search by model number or product line, and click the appropriate link in the Certification column.

## Environmental Management

National Instruments is committed to designing and manufacturing products in an environmentally responsible manner. NI recognizes that eliminating certain hazardous substances from our products is beneficial to the environment and to NI customers.

For additional environmental information, refer to the *NI and the Environment* Web page at [ni.com/environment](http://ni.com/environment). This page contains the environmental regulations and directives with which NI complies, as well as other environmental information not included in this document.

## Waste Electrical and Electronic Equipment (WEEE)



**EU Customers** At the end of the product life cycle, all products *must* be sent to a WEEE recycling center. For more information about WEEE recycling centers, National Instruments WEEE initiatives, and compliance with WEEE Directive 2002/96/EC on Waste and Electronic Equipment, visit [ni.com/environment/weee](http://ni.com/environment/weee).

## 电子信息产品污染控制管理办法（中国 RoHS）



**中国客户** National Instruments 符合中国电子信息产品中限制使用某些有害物质指令 (RoHS)。关于 National Instruments 中国 RoHS 合规性信息，请登录 [ni.com/environment/rohs\\_china](http://ni.com/environment/rohs_china)。(For information about China RoHS compliance, go to [ni.com/environment/rohs\\_china](http://ni.com/environment/rohs_china).)

## Cleaning

If you need to clean the module, use a soft, nonmetallic brush. Make sure that the module is completely dry and free from contaminants before returning it to service.

# NI PCIe-8361 (191376x-02)



**Note** These specifications are typical at 25 °C, unless otherwise stated, and are subject to change without notice.

## Physical

Dimensions.....	10.7 × 17.5 cm (4.4 × 6.9 in.)
Maximum cable length.....	7 m
Slot requirements .....	One slot (PCI Express, standard height)
Compatibility .....	Fully compatible with the <i>PCI Express Specification,</i> Revision 1.0a
Weight.....	0.13 kg (0.30 lb) typical

## Power Requirements

Power Rail	Typical Current	Maximum Current
+3.3 V	1.8 A	2.0 A
+3.3 V <sub>Aux</sub>	0 A	0 A
+12 V	0 A	0 A

## Environment

Maximum altitude .....	2,000 m
Pollution Degree .....	2
Indoor use only	

## Operating Environment

Ambient temperature range .....0 to 55 °C  
(Tested in accordance with  
IEC-60068-2-1 and  
IEC-60068-2-2.)

Relative humidity range.....10 to 90%, noncondensing  
(Tested in accordance with  
IEC-60068-2-56.)

## Storage Environment

Ambient temperature range .....-40 to 70 °C  
(Tested in accordance with  
IEC-60068-2-1 and  
IEC-60068-2-2.)

Relative humidity range.....5 to 95%, noncondensing  
(Tested in accordance with  
IEC-60068-2-56.)

## Safety

This product is designed to meet the requirements of the following standards of safety for electrical equipment for measurement, control, and laboratory use:

- IEC 61010-1, EN 61010-1
- UL 61010-1, CSA 61010-1



**Note** For UL and other safety certifications, refer to the product label or the [Online Product Certification](#) section.



## Electromagnetic Compatibility

This product is designed to meet the requirements of the following standards of EMC for electrical equipment for measurement, control, and laboratory use:

- EN 61326-1 (IEC 61326-1): Class A emissions; Basic immunity
- EN 55011 (CISPR 11): Group 1, Class A emissions
- AS/NZS CISPR 11: Group 1, Class A emissions
- FCC 47 CFR Part 15B: Class A emissions
- ICES-001: Class A emissions



**Note** For EMC declarations and certifications, refer to the *Online Product Certification* section.

## CE Compliance (€)

This product meets the essential requirements of applicable European Directives as follows:

- 2006/95/EC; Low-Voltage Directive (safety)
- 2004/108/EC; Electromagnetic Compatibility Directive (EMC)

## Online Product Certification

To obtain product certifications and the Declaration of Conformity (DoC) for this product, visit [ni.com/certification](http://ni.com/certification), search by model number or product line, and click the appropriate link in the Certification column.

## Environmental Management

National Instruments is committed to designing and manufacturing products in an environmentally responsible manner. NI recognizes that eliminating certain hazardous substances from our products is beneficial to the environment and to NI customers.

For additional environmental information, refer to the *NI and the Environment* Web page at [ni.com/environment](http://ni.com/environment). This page contains the environmental regulations and directives with which NI complies, as well as other environmental information not included in this document.

## Waste Electrical and Electronic Equipment (WEEE)



**EU Customers** At the end of the product life cycle, all products *must* be sent to a WEEE recycling center. For more information about WEEE recycling centers, National Instruments WEEE initiatives, and compliance with WEEE Directive 2002/96/EC on Waste and Electronic Equipment, visit [ni.com/environment/weee](http://ni.com/environment/weee).

## 电子信息产品污染控制管理办法（中国 RoHS）



**中国客户** National Instruments 符合中国电子信息产品中限制使用某些有害物质指令 (RoHS)。关于 National Instruments 中国 RoHS 合规性信息，请登录 [ni.com/environment/rohs\\_china](http://ni.com/environment/rohs_china)。(For information about China RoHS compliance, go to [ni.com/environment/rohs\\_china](http://ni.com/environment/rohs_china).)

## Cleaning

If you need to clean the module, use a soft, nonmetallic brush. Make sure that the module is completely dry and free from contaminants before returning it to service.

# NI PCIe-8362 (191376x-01)



**Note** These specifications are typical at 25 °C, unless otherwise stated, and are subject to change without notice.

## Physical

Dimensions.....	10.7 × 17.5 cm (4.4 × 6.9 in.)
Maximum cable length.....	7 m
Slot requirements .....	One slot (PCI Express, standard height)
Compatibility .....	Fully compatible with the <i>PCI Express Specification,</i> Revision 1.0a
Weight.....	0.13 kg (0.30 lb) typical

## Power Requirements

Power Rail	Typical Current	Maximum Current
+3.3 V	1.8 A	2.0 A
+3.3 V <sub>Aux</sub>	1 mA	5 mA
+12 V	0 A	0 A

## Environment

Maximum altitude .....	2,000 m
Pollution Degree .....	2
Indoor use only	

### Operating Environment

Ambient temperature range.....	0 to 55 °C (Tested in accordance with IEC-60068-2-1 and IEC-60068-2-2.)
--------------------------------	--

Relative humidity range.....10 to 90%, noncondensing  
(Tested in accordance with  
IEC-60068-2-56.)

## Storage Environment

Ambient temperature range .....-40 to 70 °C  
(Tested in accordance with  
IEC-60068-2-1 and  
IEC-60068-2-2.)

Relative humidity range.....5 to 95%, noncondensing  
(Tested in accordance with  
IEC-60068-2-56.)

## Safety

This product is designed to meet the requirements of the following standards of safety for electrical equipment for measurement, control, and laboratory use:

- IEC 61010-1, EN 61010-1
- UL 61010-1, CSA 61010-1



**Note** For UL and other safety certifications, refer to the product label or the [Online Product Certification](#) section.

## Electromagnetic Compatibility

This product is designed to meet the requirements of the following standards of EMC for electrical equipment for measurement, control, and laboratory use:

- EN 61326-1 (IEC 61326-1): Class A emissions; Basic immunity
- EN 55011 (CISPR 11): Group 1, Class A emissions
- AS/NZS CISPR 11: Group 1, Class A emissions
- FCC 47 CFR Part 15B: Class A emissions
- ICES-001: Class A emissions



**Note** For EMC declarations and certifications, refer to the [Online Product Certification](#) section.

## CE Compliance

This product meets the essential requirements of applicable European Directives as follows:

- 2006/95/EC; Low-Voltage Directive (safety)
- 2004/108/EC; Electromagnetic Compatibility Directive (EMC)

## Online Product Certification

To obtain product certifications and the Declaration of Conformity (DoC) for this product, visit [ni.com/certification](http://ni.com/certification), search by model number or product line, and click the appropriate link in the Certification column.

## Environmental Management

National Instruments is committed to designing and manufacturing products in an environmentally responsible manner. NI recognizes that eliminating certain hazardous substances from our products is beneficial to the environment and to NI customers.

For additional environmental information, refer to the *NI and the Environment* Web page at [ni.com/environment](http://ni.com/environment). This page contains the environmental regulations and directives with which NI complies, as well as other environmental information not included in this document.

## Waste Electrical and Electronic Equipment (WEEE)



**EU Customers** At the end of the product life cycle, all products *must* be sent to a WEEE recycling center. For more information about WEEE recycling centers, National Instruments WEEE initiatives, and compliance with WEEE Directive 2002/96/EC on Waste and Electronic Equipment, visit [ni.com/environment/weee](http://ni.com/environment/weee).

## 电子信息产品污染控制管理办法（中国 RoHS）



**中国客户** National Instruments 符合中国电子信息产品中限制使用某些有害物质指令 (RoHS)。关于 National Instruments 中国 RoHS 合规性信息，请登录 [ni.com/environment/rohs\\_china](http://ni.com/environment/rohs_china)。(For information about China RoHS compliance, go to [ni.com/environment/rohs\\_china](http://ni.com/environment/rohs_china).)

## Cleaning

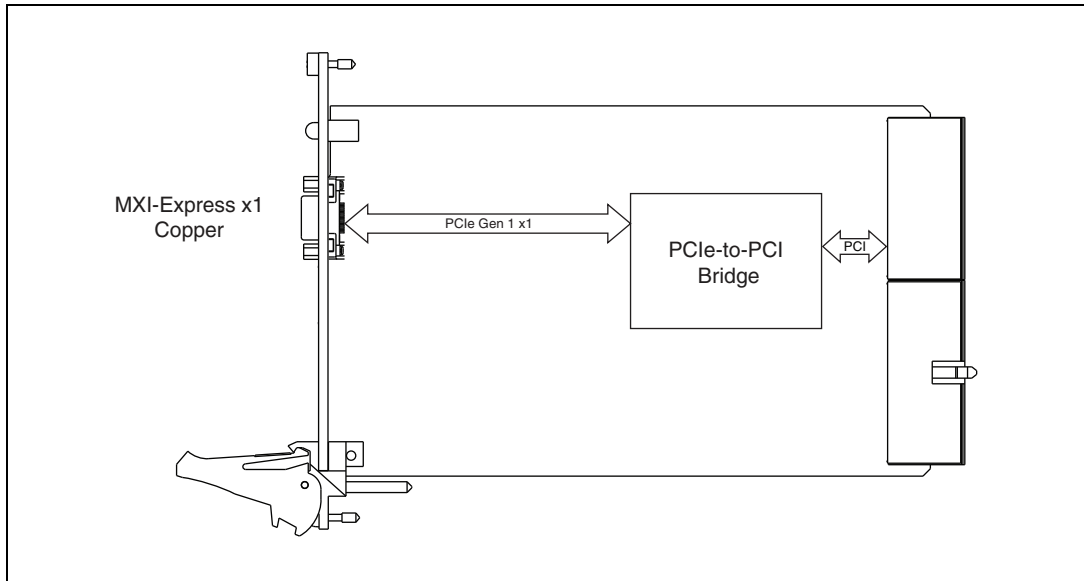
If you need to clean the module, use a soft, nonmetallic brush. Make sure that the module is completely dry and free from contaminants before returning it to service.

# NI PXI-8361 (199991x-01L)



**Note** These specifications are typical at 25 °C, unless otherwise stated, and are subject to change without notice.

## Functional Block Diagram



**Figure C-2.** NI PXI-8361 (199991x-01L) Block Diagram

## Connectivity Support

From Host		Targets
Slot Type	Product	PXI Chassis
		NI PXI-8361
PCI	NI PCI-8361	✓
PXI	NI PXI-8364	✓

## Slot Type Compatibility

	PXI Chassis		PXI Express Chassis		
	Controller	Peripheral	Controller	Peripheral	Hybrid
<b>NI PXI Board</b>	△	○	▲	●	● <sup>H</sup>
NI PXI-8361	✓	—	—	—	—

## Physical

Dimensions..... 10.0 × 16.0 cm (3.9 × 6.3 in.)

Maximum cable length..... 7 m

Slot requirements ..... One PXI controller slot

Compatibility ..... Fully compatible with the  
*PXI Hardware Specification*,  
Revision 2.1

Weight..... 0.14 kg (0.31 lb) typical

## LED Status Descriptions

LED	Color	Meaning
PWR/LINK	Off	Power is off
	Blinking Red	Power is out of spec
	Solid Amber	Power is within spec; no link to chassis
	Solid Green	Power is within spec; link established

## Power Requirements

Power Rail	Typical Current	Maximum Current
+3.3 V	440 mA	650 mA
+5 V	8 mA	10 mA
+12 V	10 mA	12 mA
-12 V	0 A	0 A
V <sub>IO</sub>	0 A	1 mA

## Environment

Maximum altitude.....2,000 m

Pollution Degree .....2

Indoor use only.

### Operating Environment

Ambient temperature range .....0 to 55 °C  
 (Tested in accordance with  
 IEC-60068-2-1 and  
 IEC-60068-2-2.)

Operating relative humidity .....10 to 90%, noncondensing  
 (Tested in accordance with  
 IEC-60068-2-56.)

### Storage Environment

Ambient temperature range .....-40 to 70 °C  
 (Tested in accordance with  
 IEC-60068-2-1 and  
 IEC-60068-2-2.)

Storage relative humidity .....5 to 95%, noncondensing  
 (Tested in accordance with  
 IEC-60068-2-56.)



## Shock and Vibration

Operational shock .....	30 g peak, half-sine, 11 ms pulse (Tested in accordance with IEC-60068-2-27. Test profile developed in accordance with MIL-PRF-28800F.)
Nonoperating shock .....	50 g peak, half-sine, 11 ms pulse (Tested in accordance with IEC-60068-2-27.)

## Random Vibration

Operating .....	5 to 500 Hz, 0.3 g <sub>rms</sub>
Nonoperating.....	5 to 500 Hz, 2.4 g <sub>rms</sub> (Tested in accordance with IEC-60068-2-64. Nonoperating test profile exceeds the requirements of MIL-PRF-28800F, Class 3.)

## Safety

This product is designed to meet the requirements of the following standards of safety for electrical equipment for measurement, control, and laboratory use:

- IEC 61010-1, EN 61010-1
- UL 61010-1, CSA 61010-1



**Note** For UL and other safety certifications, refer to the product label or the [Online Product Certification](#) section.

## Electromagnetic Compatibility

This product is designed to meet the requirements of the following standards of EMC for electrical equipment for measurement, control, and laboratory use:

- EN 61326-1 (IEC 61326-1): Class A emissions; Basic immunity
- EN 55011 (CISPR 11): Group 1, Class A emissions
- AS/NZS CISPR 11: Group 1, Class A emissions
- FCC 47 CFR Part 15B: Class A emissions
- ICES-001: Class A emissions



**Note** For EMC declarations and certifications, refer to the *Online Product Certification* section.

## CE Compliance

This product meets the essential requirements of applicable European Directives as follows:

- 2006/95/EC; Low-Voltage Directive (safety)
- 2004/108/EC; Electromagnetic Compatibility Directive (EMC)

## Online Product Certification

To obtain product certifications and the Declaration of Conformity (DoC) for this product, visit [ni.com/certification](http://ni.com/certification), search by model number or product line, and click the appropriate link in the Certification column.

## Environmental Management

National Instruments is committed to designing and manufacturing products in an environmentally responsible manner. NI recognizes that eliminating certain hazardous substances from our products is beneficial to the environment and to NI customers.

For additional environmental information, refer to the *NI and the Environment* Web page at [ni.com/environment](http://ni.com/environment). This page contains the environmental regulations and directives with which NI complies, as well as other environmental information not included in this document.

## Waste Electrical and Electronic Equipment (WEEE)



**EU Customers** At the end of the product life cycle, all products *must* be sent to a WEEE recycling center. For more information about WEEE recycling centers, National Instruments WEEE initiatives, and compliance with WEEE Directive 2002/96/EC on Waste and Electronic Equipment, visit [ni.com/environment/weee](http://ni.com/environment/weee).

## 电子信息产品污染控制管理办法（中国 RoHS）



**中国客户** National Instruments 符合中国电子信息产品中限制使用某些有害物质指令 (RoHS)。关于 National Instruments 中国 RoHS 合规性信息，请登录 [ni.com/environment/rohs\\_china](http://ni.com/environment/rohs_china)。(For information about China RoHS compliance, go to [ni.com/environment/rohs\\_china](http://ni.com/environment/rohs_china).)

## Cleaning

If you need to clean the module, use a soft, nonmetallic brush. Make sure that the module is completely dry and free from contaminants before returning it to service.

# NI PXI-8366 (199991x-03L)



**Note** These specifications are typical at 25 °C, unless otherwise stated, and are subject to change without notice.

## Functional Block Diagram

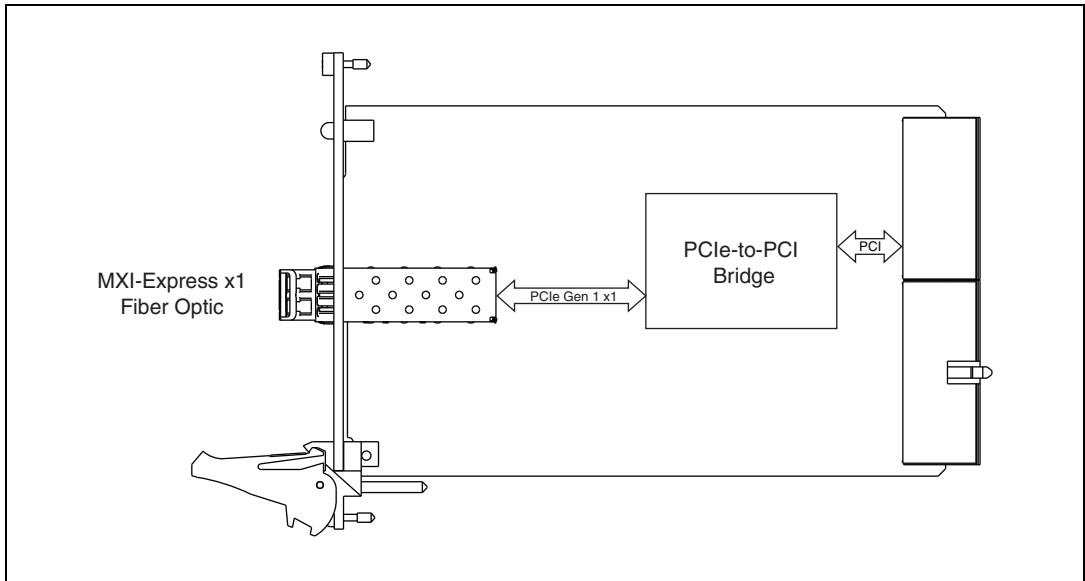


Figure C-3. NI PXI-8366 (199991x-03L) Block Diagram

## Connectivity Support From a Host PC

From Host		Targets	
Slot Type	Product	PXI Chassis	
		NI PXI-8366	NI PXI-8336*
PCI	NI PCI-8366	✓	—
PCI	NI PCI-8336*	—	✓*

\* The NI PCI-8336 and PXI-8336 are part of the MXI-4 family of products and have the same cable connectors as the NI PCI-8366, NI PXI-8366, and NI PXI-8367, but will only function when connected in the valid case as shown.

## Connectivity Support For Daisy-Chaining

From Chassis		Targets	
Slot Type	Product	PXI Chassis	
		NI PXI-8366	NI PXI-8336*
PXI or PXIe Hybrid	NI PXI-8367	✓	—
PXI	NI PXI-8336*	—	✓*

\* The NI PXI-8336 is part of the MXI-4 family of products and has the same cable connector as the NI PCI-8366, NI PXI-8366, and NI PXI-8367, but will only function when connected in valid cases as shown.

## Slot Type Compatibility

	PXI Chassis		PXI Express Chassis		
	Controller	Peripheral	Controller	Peripheral	Hybrid
<b>NI PXI Board</b>	△	○	▲	●	● <sup>H</sup>
NI PXI-8366	✓	—	—	—	—

## LED Status Description

LED	Color	Meaning
PWR/LINK	Off	Power is off
	Blinking Red	Power is out of spec
	Solid Amber	Power is within spec; no link to chassis
	Solid Green	Power is within spec; link established

## Physical

Dimensions.....	10.0 × 16.0 cm (3.9 × 6.3 in.)
Maximum cable length.....	200 m (Fiber-Optic)
Slot requirements .....	One PXI controller slot
Compatibility .....	Fully compatible with the <i>PXI Hardware Specification</i> , Revision 2.1
Weight.....	0.15 kg (0.34 lb) typical

## Power Requirements

Power Rail	Typical Current	Maximum Current
+3.3 V	555 mA	850 mA
+5 V	8 mA	10 mA
+12 V	10 mA	12 mA
-12 V	0 A	0 A
V <sub>IO</sub>	0 A	1 mA

## Environment

Maximum altitude .....	2,000 m
Pollution Degree .....	2
Indoor use only.	

## Operating Environment

Ambient temperature range.....	0 to 55 °C (Tested in accordance with IEC-60068-2-1 and IEC-60068-2-2.)
Operating relative humidity .....	10 to 90%, noncondensing (Tested in accordance with IEC-60068-2-56.)

## Storage Environment

- Ambient temperature range .....-40 to 70 °C  
(Tested in accordance with IEC-60068-2-1 and IEC-60068-2-2.)
- Relative humidity range.....5 to 95%, noncondensing  
(Tested in accordance with IEC-60068-2-56.)

## Shock and Vibration

- Operational shock .....30 g peak, half-sine, 11 ms pulse  
(Tested in accordance with IEC-60068-2-27. Test profile developed in accordance with MIL-PRF-28800F.)
- Nonoperating shock.....50 g peak, half-sine, 11 ms pulse  
(Tested in accordance with IEC-60068-2-27.)

## Random Vibration

- Operating .....5 to 500 Hz, 0.3 g<sub>rms</sub>
- Nonoperating .....5 to 500 Hz, 2.4 g<sub>rms</sub>  
(Tested in accordance with IEC-60068-2-64. Nonoperating test profile exceeds the requirements of MIL-PRF-28800F, Class 3.)

## Safety

This product is designed to meet the requirements of the following standards of safety for electrical equipment for measurement, control, and laboratory use:

- IEC 61010-1, EN 61010-1
- UL 61010-1, CSA 61010-1



**Note** For UL and other safety certifications, refer to the product label or the *Online Product Certification* section.

## Electromagnetic Compatibility

This product is designed to meet the requirements of the following standards of EMC for electrical equipment for measurement, control, and laboratory use:

- EN 61326-1 (IEC 61326-1): Class A emissions; Basic immunity
- EN 55011 (CISPR 11): Group 1, Class A emissions
- AS/NZS CISPR 11: Group 1, Class A emissions
- FCC 47 CFR Part 15B: Class A emissions
- ICES-001: Class A emissions



**Note** For EMC declarations and certifications, refer to the *Online Product Certification* section.

## CE Compliance

This product meets the essential requirements of applicable European Directives as follows:

- 2006/95/EC; Low-Voltage Directive (safety)
- 2004/108/EC; Electromagnetic Compatibility Directive (EMC)

## Online Product Certification

To obtain product certifications and the Declaration of Conformity (DoC) for this product, visit [ni.com/certification](http://ni.com/certification), search by model number or product line, and click the appropriate link in the Certification column.

## Environmental Management

National Instruments is committed to designing and manufacturing products in an environmentally responsible manner. NI recognizes that eliminating certain hazardous substances from our products is beneficial to the environment and to NI customers.

For additional environmental information, refer to the *NI and the Environment* Web page at [ni.com/environment](http://ni.com/environment). This page contains the environmental regulations and directives with which NI complies, as well as other environmental information not included in this document.

## Waste Electrical and Electronic Equipment (WEEE)



**EU Customers** At the end of the product life cycle, all products *must* be sent to a WEEE recycling center. For more information about WEEE recycling centers, National Instruments WEEE initiatives, and compliance with WEEE Directive 2002/96/EC on Waste and Electronic Equipment, visit [ni.com/environment/weee](http://ni.com/environment/weee).

## 电子信息产品污染控制管理办法（中国 RoHS）



**中国客户** National Instruments 符合中国电子信息产品中限制使用某些有害物质指令 (RoHS)。关于 National Instruments 中国 RoHS 合规性信息，请登录 [ni.com/environment/rohs\\_china](http://ni.com/environment/rohs_china)。(For information about China RoHS compliance, go to [ni.com/environment/rohs\\_china](http://ni.com/environment/rohs_china).)

## Cleaning

If you need to clean the module, use a soft, nonmetallic brush. Make sure that the module is completely dry and free from contaminants before returning it to service.



# NI PXI-8367 (199991x-04L)



**Note** These specifications are typical at 25 °C, unless otherwise stated, and are subject to change without notice.

## Functional Block Diagram

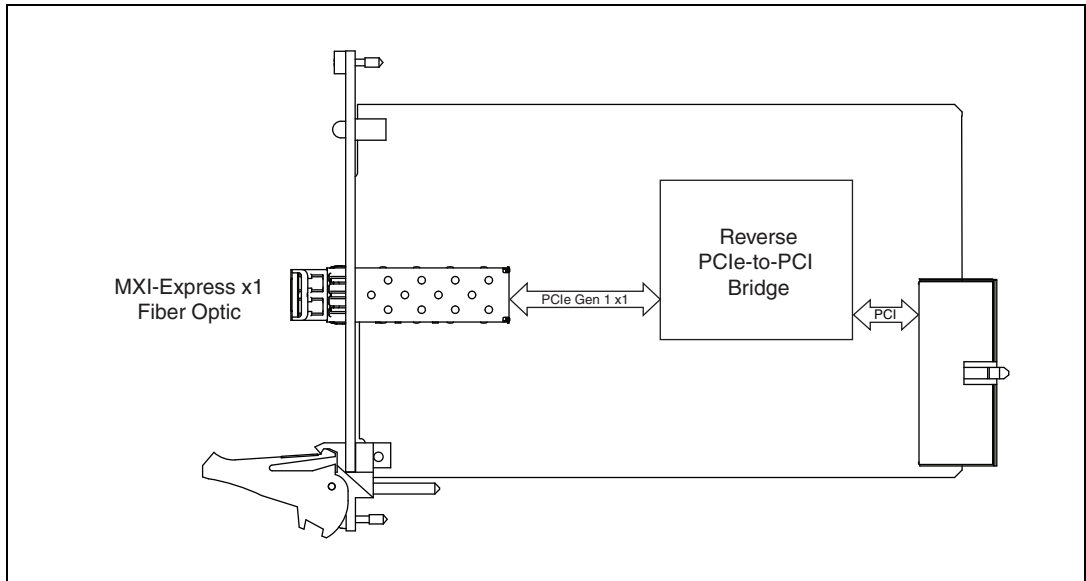


Figure C-4. NI PXI-8367 (199991x-04L) Block Diagram

## Connectivity Support for Daisy-Chaining

From Chassis		Targets	
Slot Type	Product	PXI Chassis	
		NI PXI-8366	NI PXI-8336*
PXI or PXIe Hybrid	NI PXI-8367	✓	—
PXI	NI PXI-8336*	—	✓*

\* The NI PXI-8336 is part of the MXI-4 family of products and has the same cable connector as the NI PCI-8366, NI PXI-8366, and NI PXI-8367, but will only function when connected in valid cases as shown.

## Slot Type Compatibility

	PXI Chassis		PXI Express Chassis		
	Controller △	Peripheral ○	Controller ▲	Peripheral ●	Hybrid ● <sup>H</sup>
NI PXI Board	△	○	▲	●	● <sup>H</sup>
NI PXI-8367	—	✓	—	—	✓

## Physical

Dimensions .....	10.0 × 16.0 cm (3.9 × 6.3 in.)
Maximum cable length .....	200 m (Fiber-Optic)
Slot requirements .....	One PXI or PXI hybrid peripheral slot
Compatibility .....	Fully compatible with the <i>PXI Hardware Specification, Revision 2.1</i>
Weight .....	0.14 kg (0.31 lb) typical

## LED Status Descriptions

LED	Color	Meaning
PWR/LINK	Off	Power is off
	Blinking Red	Power is out of spec
	Solid Amber	Power is within spec; no link to chassis
	Solid Green	Power is within spec; link established

## Power Requirements

Power Rail	Typical Current	Maximum Current
+3.3 V	525 mA	800 mA
+5 V	8 mA	10 mA
+12 V	10 mA	12 mA
-12 V	0 A	0 A
$V_{IO}$	0 A	1 mA

## Environment

Maximum altitude ..... 2,000 m

Pollution Degree ..... 2

Indoor use only.

### Operating Environment

Ambient temperature range..... 0 to 55 °C  
(Tested in accordance with  
IEC-60068-2-1 and  
IEC-60068-2-2.)

Operating relative humidity ..... 10 to 90%, noncondensing  
(Tested in accordance with  
IEC-60068-2-56.)

### Storage Environment

Ambient temperature range..... -40 to 70 °C  
(Tested in accordance with  
IEC-60068-2-1 and  
IEC-60068-2-2.)

Storage relative humidity ..... 5 to 95%, noncondensing  
(Tested in accordance with  
IEC-60068-2-56.)

## Shock and Vibration

Operational shock .....	30 g peak, half-sine, 11 ms pulse (Tested in accordance with IEC-60068-2-27. Test profile developed in accordance with MIL-PRF-28800F.)
Nonoperating shock .....	50 g peak, half-sine, 11 ms pulse (Tested in accordance with IEC-60068-2-27.)

## Random Vibration

Operating .....	5 to 500 Hz, 0.3 g <sub>rms</sub>
Nonoperating .....	5 to 500 Hz, 2.4 g <sub>rms</sub> (Tested in accordance with IEC-60068-2-64. Nonoperating test profile exceeds the requirements of MIL-PRF-28800F, Class 3.)

## Safety

This product is designed to meet the requirements of the following standards of safety for electrical equipment for measurement, control, and laboratory use:

- IEC 61010-1, EN 61010-1
- UL 61010-1, CSA 61010-1



**Note** For UL and other safety certifications, refer to the product label or the [Online Product Certification](#) section.

## Electromagnetic Compatibility

This product is designed to meet the requirements of the following standards of EMC for electrical equipment for measurement, control, and laboratory use:

- EN 61326-1 (IEC 61326-1): Class A emissions; Basic immunity
- EN 55011 (CISPR 11): Group 1, Class A emissions
- AS/NZS CISPR 11: Group 1, Class A emissions
- FCC 47 CFR Part 15B: Class A emissions
- ICES-001: Class A emissions



**Note** For EMC declarations and certifications, refer to the *Online Product Certification* section.

## CE Compliance

This product meets the essential requirements of applicable European Directives as follows:

- 2006/95/EC; Low-Voltage Directive (safety)
- 2004/108/EC; Electromagnetic Compatibility Directive (EMC)

## Online Product Certification

To obtain product certifications and the Declaration of Conformity (DoC) for this product, visit [ni.com/certification](http://ni.com/certification), search by model number or product line, and click the appropriate link in the Certification column.

## Environmental Management

National Instruments is committed to designing and manufacturing products in an environmentally responsible manner. NI recognizes that eliminating certain hazardous substances from our products is beneficial to the environment and to NI customers.

For additional environmental information, refer to the *NI and the Environment* Web page at [ni.com/environment](http://ni.com/environment). This page contains the environmental regulations and directives with which NI complies, as well as other environmental information not included in this document.

## Waste Electrical and Electronic Equipment (WEEE)



**EU Customers** At the end of the product life cycle, all products *must* be sent to a WEEE recycling center. For more information about WEEE recycling centers, National Instruments WEEE initiatives, and compliance with WEEE Directive 2002/96/EC on Waste and Electronic Equipment, visit [ni.com/environment/weee](http://ni.com/environment/weee).

## 电子信息产品污染控制管理办法（中国 RoHS）



**中国客户** National Instruments 符合中国电子信息产品中限制使用某些有害物质指令 (RoHS)。关于 National Instruments 中国 RoHS 合规性信息, 请登录 [ni.com/environment/rohs\\_china](http://ni.com/environment/rohs_china)。(For information about China RoHS compliance, go to [ni.com/environment/rohs\\_china](http://ni.com/environment/rohs_china).)

## Cleaning

If you need to clean the module, use a soft, nonmetallic brush. Make sure that the module is completely dry and free from contaminants before returning it to service.

# NI ExpressCard-8360 (192290x-01)



**Note** These specifications are typical at 25 °C, unless otherwise stated, and are subject to change without notice.

## Physical

Dimensions ..... 10.2 × 3.4 cm (4.0 × 1.3 in.)

Maximum cable length ..... 7 m

Slot requirements ..... One 34 mm or 54 mm slot  
(ExpressCard)

Compatibility ..... *PCMCIA ExpressCard Standard*,  
Revision 1.0

Weight ..... 0.03 kg (0.06 lb) typical

## Power Requirements

Power Rail	Typical Current	Maximum Current
+3.3 V	220 mA	280 mA
+3.3 V <sub>Aux</sub>	20 mA	30 mA
+1.5 V	0 A	0 A

## Environment

Maximum altitude ..... 2,000 m

Pollution Degree ..... 2

Indoor use only.

## Operating Environment

Ambient temperature range.....	0 to 65 °C (Tested in accordance with IEC-60068-2-1 and IEC-60068-2-2.)
Operating relative humidity .....	5 to 95%, noncondensing (Tested in accordance with IEC-60068-2-56.)

## Storage Environment

Ambient temperature range.....	-20 to 65 °C (Tested in accordance with IEC-60068-2-1 and IEC-60068-2-2.)
Nonoperating thermal shock .....	-20 to 65 °C, 5 shocks

## Shock and Vibration

Nonoperating shock .....	50 g, 11 ms (Tested in accordance with IEC-60068-2-27.)
Nonoperating vibration sinusoidal .....	15 g 100 to 2000 Hz (Tested in accordance with IEC-60068-2-6.)
Nonoperating drop test.....	2 drops in 3 mutually exclusive axes from 75 cm onto no-cushioning vinyl tile surface

## Safety

This product is designed to meet the requirements of the following standards of safety for information technology equipment:

- IEC 60950-1, EN 60950-1
- UL 60950-1
- CAN/CSA-C22.2 No. 60950-1



**Note** For UL and other safety certifications, refer to the product label or visit [ni.com/certification](http://ni.com/certification), search by model number or product line, and click the appropriate link in the Certification column.

## Electromagnetic Compatibility

Emissions .....	EN 55011 Class A at 10 m. FCC Part 15A above 1 GHz
Immunity .....	EN 61326:1997 + A2:2001, Table1 <sup>1</sup>
CE, C-Tick, and FCC Part 15 (Class A) Compliant	



**Note** For EMC compliance, operate this device with shielded cabling.

## CE Compliance

This product meets the essential requirements of applicable European Directives, as amended for CE marking, as follows:

Low-Voltage Directive (safety).....	73/23/EEC
Electromagnetic Compatibility Directive (EMC) .....	89/336/EEC



**Note** Refer to the Declaration of Conformity (DoC) for this product for any additional regulatory compliance information. To obtain the DoC for this product, visit [ni.com/certification](http://ni.com/certification), search by model number or product line, and click the appropriate link in the Certification column.

## Environmental Management

National Instruments is committed to designing and manufacturing products in an environmentally responsible manner. NI recognizes that eliminating certain hazardous substances from our products is beneficial to the environment and to NI customers.

For additional environmental information, refer to the *NI and the Environment* Web page at [ni.com/environment](http://ni.com/environment). This page contains the environmental regulations and directives with which NI complies, as well as other environmental information not included in this document.

---

<sup>1</sup> In the presence of ESD or surge events, the link may fail. If this happens, the user should reboot the host computer.



## Waste Electrical and Electronic Equipment (WEEE)



**EU Customers** At the end of the product life cycle, all products *must* be sent to a WEEE recycling center. For more information about WEEE recycling centers, National Instruments WEEE initiatives, and compliance with WEEE Directive 2002/96/EC on Waste and Electronic Equipment, visit [ni.com/environment/weee](http://ni.com/environment/weee).

## 电子信息产品污染控制管理办法（中国 RoHS）



**中国客户** National Instruments 符合中国电子信息产品中限制使用某些有害物质指令 (RoHS)。关于 National Instruments 中国 RoHS 合规性信息，请登录 [ni.com/environment/rohs\\_china](http://ni.com/environment/rohs_china)。(For information about China RoHS compliance, go to [ni.com/environment/rohs\\_china](http://ni.com/environment/rohs_china).)

## Cleaning

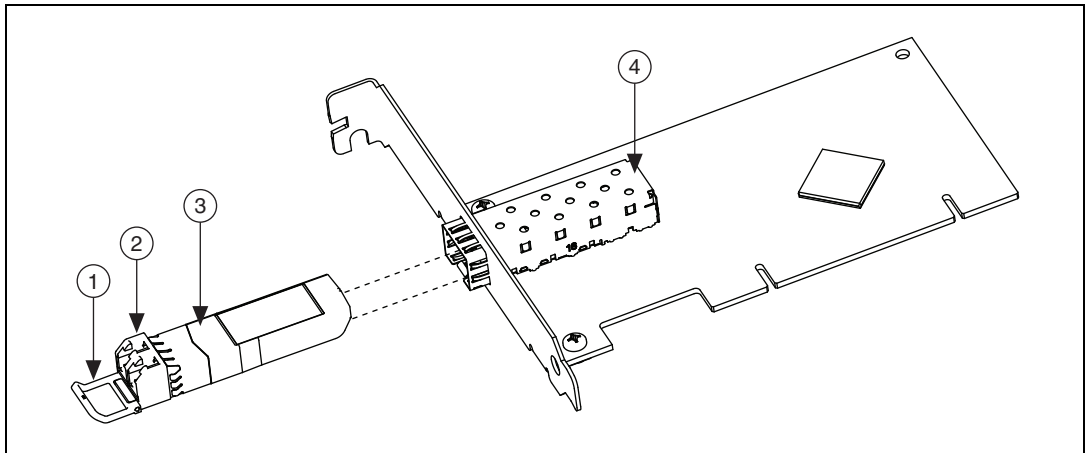
If you need to clean the module, use a soft, nonmetallic brush. Make sure that the module is completely dry and free from contaminants before returning it to service.

# NI PCI-8366 Low-Profile Bracket Installation Instructions

This appendix describes how to install a low-profile bracket on the NI PCI-8366. For specifications for the NI PCI-8366, refer to Appendix C, *Specifications for Legacy Products*.

## Installing the NI PCI-8366

1. Disconnect the fiber optic cable from the cabled PCI Express connector.
2. Move the release lever downwards until it is pointing towards you.
3. Gently pull the release lever toward you to release the catch mechanism of the SFP module. The SFP module should easily slide out of the receptacle as shown in Figure D-1.

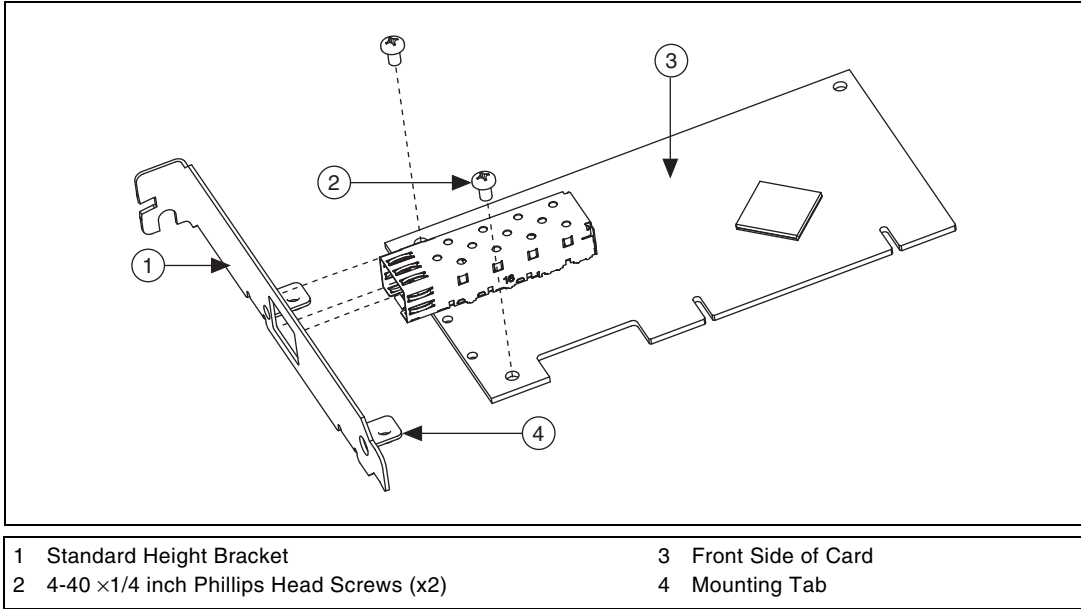


- |                                |                  |
|--------------------------------|------------------|
| 1 Release Lever                | 3 SFP Module     |
| 2 Cabled PCI Express Connector | 4 SFP Receptacle |

**Figure D-1.** SFP Module Removal

4. Remove the two 4-40 ×1/4 inch Phillips head screws that attach the standard height bracket to the card as shown in Figure D-2. Set the screws aside to re-use when installing the low-profile bracket.

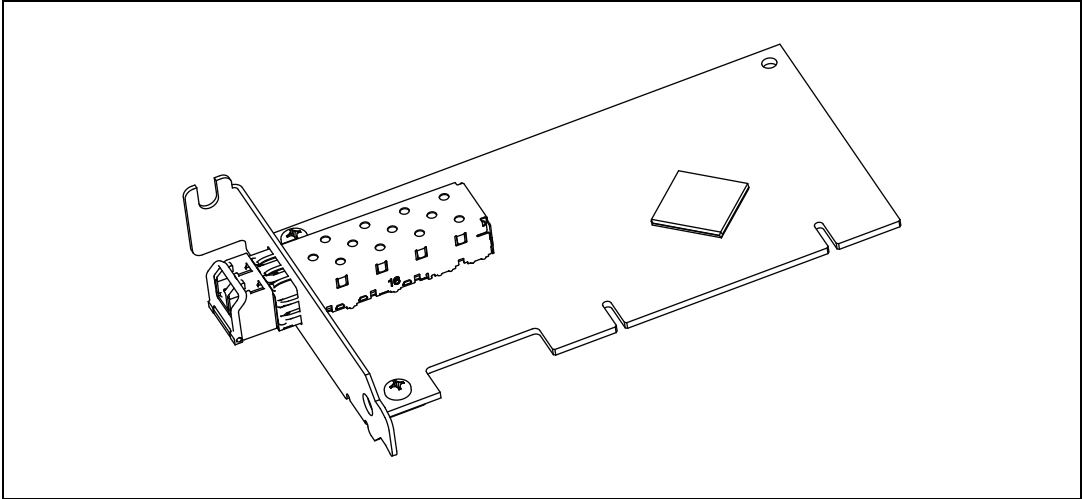
5. Remove the standard height bracket as shown in Figure D-2.



**Figure D-2.** Removing Bracket

6. Fit the low-profile bracket onto the NI PCI-8366 by aligning the square cutout on the bracket with the SFP receptacle on the card. Ensure the two mounting tabs on the low-profile bracket rest against the back side of the card. The mounting holes are aligned with the threaded holes on the mounting tabs of the bracket, and the LED bulb is situated in the bracket display hole correctly.
7. Install the two Phillips screws from the front side of the card. Tighten each screw to a maximum torque of 3.6 lb · in. (0.407 N · m).

8. Hold the SFP module in the orientation shown in Figure D-1. Ensure the release lever is closed in its upright position and gently slide the SFP module into the SFP receptacle. The SFP module will click into place when fully engaged, as shown in Figure D-3.



**Figure D-3.** Completed Low-Profile Bracket Installation on the NI PCI-8366

---

# Technical Support and Professional Services

Visit the following sections of the award-winning National Instruments Web site at [ni.com](http://ni.com) for technical support and professional services:

- **Support**—Technical support at [ni.com/support](http://ni.com/support) includes the following resources:
  - **Self-Help Technical Resources**—For answers and solutions, visit [ni.com/support](http://ni.com/support) for software drivers and updates, a searchable KnowledgeBase, product manuals, step-by-step troubleshooting wizards, thousands of example programs, tutorials, application notes, instrument drivers, and so on. Registered users also receive access to the NI Discussion Forums at [ni.com/forums](http://ni.com/forums). NI Applications Engineers make sure every question submitted online receives an answer.
  - **Standard Service Program Membership**—This program entitles members to direct access to NI Applications Engineers via phone and email for one-to-one technical support, as well as exclusive access to eLearning training modules at [ni.com/eLearning](http://ni.com/eLearning). NI offers complementary membership for a full year after purchase, after which you may renew to continue your benefits.

For information about other technical support options in your area, visit [ni.com/services](http://ni.com/services), or contact your local office at [ni.com/contact](http://ni.com/contact).
- **Training and Certification**—Visit [ni.com/training](http://ni.com/training) for training and certification program information. You can also register for instructor-led, hands-on courses at locations around the world.
- **System Integration**—If you have time constraints, limited in-house technical resources, or other project challenges, National Instruments Alliance Partner members can help. To learn more, call your local NI office or visit [ni.com/alliance](http://ni.com/alliance).

- **Declaration of Conformity (DoC)**—A DoC is our claim of compliance with the Council of the European Communities using the manufacturer’s declaration of conformity. This system affords the user protection for electromagnetic compatibility (EMC) and product safety. You can obtain the DoC for your product by visiting [ni.com/certification](http://ni.com/certification).
- **Calibration Certificate**—If your product supports calibration, you can obtain the calibration certificate for your product at [ni.com/calibration](http://ni.com/calibration).

You also can visit the Worldwide Offices section of [ni.com/niglobal](http://ni.com/niglobal) to access the branch office Web sites, which provide up-to-date contact information, support phone numbers, email addresses, and current events.

# Glossary

---

Symbol	Prefix	Value
p	pico	$10^{-12}$
n	nano	$10^{-9}$
$\mu$	micro	$10^{-6}$
m	milli	$10^{-3}$
k	kilo	$10^3$
M	mega	$10^6$
G	giga	$10^9$
T	tera	$10^{12}$

## Symbols

°	Degrees
≥	Equal or greater than
≤	Equal or less than
%	Percent
Ω	ohms

## A

A	amperes
ANSI	American National Standards Institute
API	Application Programming Interface—the direct interface that an end user sees when creating an application.

## **B**

- B** Byte—eight related bits of data, an 8-bit binary number. Also used to denote the amount of memory required to store one byte of data.
- BIOS** Basic Input/Output System. BIOS functions are the fundamental level of any PC or compatible computer. BIOS functions embody the basic operations needed for successful use of the computer’s hardware resources.
- bus** The group of conductors that interconnect individual circuitry in a computer. Typically, a bus is the expansion vehicle to which I/O or other devices are connected. Examples of buses include the ISA bus, PCI bus, PXI bus, VXI bus, and VME bus.

## **C**

- C** Celsius
- cabled pair** Two MXI-Express x1 boards that are connected with a single cable.
- cabled PCI Express connector** The cabled PCI Express connector provides all necessary signals to connect the MXI-Express x1 family of products. These signals include the PCI Express transmit and receive pair, the system clock, and a presence detect signal.
- CFR** Code of Federal Regulations.
- cm** Centimeters.
- CompactPCI** An adaptation of the Peripheral Component Interconnect (PCI) Specification 2.1 or later for industrial and/or embedded applications requiring a more robust mechanical form factor than desktop PCI. It uses industry standard mechanical components and high-performance connector technologies to provide an optimized system intended for rugged applications. It is electrically compatible with the PCI Specification, which enables low-cost PCI components to be utilized in a mechanical form factor suited for rugged environments.
- CSA** Canadian Standards Association.



**D**

daisy-chain	A method of propagating signals along a bus, in which the devices are prioritized on the basis of their position on the bus.
DC	Direct current.
device	A plug-in instrument card or pad that can contain multiple channels and conversion devices. Plug-in boards and PCMCIA cards, which connect to your computer parallel port, are examples of devices.
DoC	Declaration of Conformity.

**E**

EEPROM	Electrically Erasable Programmable Read Only Memory—ROM that can be erased with an electrical signal and reprogrammed.
EIA	Electronic Industries Association.
EMC	electromagnetic compliance
EMI	electromagnetic interference
expansion chassis	Any CompactPCI, CompactPCI Express, PXI, PXI Express, VXI chassis or NI CompactRIO backplane.

**F**

FCC	Federal Communications Commission.
filler panel	A blank module front panel used to fill empty slots in the chassis.
FPGA	Field Programmable Gate Array—A logic device that has its functionality defined after it is manufactured.

**G**

g	(1) grams (2) a measure of acceleration equal to 9.8 m/s <sup>2</sup>
GPIB	General Purpose Interface Bus (IEEE 488)

$g_{\text{RMS}}$  A measure of random vibration. The root mean square of acceleration levels in a random vibration test profile.

## H

hex Hexadecimal—the numbering system with base 16, using the digits 0 to 9 and letters A to F.

host board The MXI-Express x1 board of a cabled pair of boards that is closer to the CPU.

host PC A host computer with a PCI or PCI Express x1 or wider slot type available.

hr Hours.

Hz hertz; cycles per second

## I

I/O Input/output—the techniques, media, and devices used to achieve communication between machines and users.

IEC International Electrotechnical Commission. The IEC publishes internationally recognized standards. IEC 60068 contains information on environmental testing procedures and severities.

IEEE Institute of Electrical and Electronics Engineers

in. inches

instrument driver A set of routines designed to control a specific instrument or family of instruments.

## K

K kilo—the prefix for 1,024, or  $2^{10}$ , used with B (byte) in quantifying data or computer memory.

k kilo—the standard metric prefix for 1,000, or  $10^3$ , used with units of measure such as volts, hertz, and meters.

kg Kilograms.

km Kilometers.

## L

laptop A portable computer with an available ExpressCard/34 or ExpressCard/54 slot with PCI Express support.

lb Pounds.

LED Light emitting diode.

## M

m meters

M mega—(1) the standard metric prefix for 1 million or  $10^6$ , when used with units of measure such as volts and hertz; (2) the prefix for 1,048,576, or  $2^{20}$ , when used with B (byte) to quantify data or computer memory.

MAX NI Measurement & Automation Explorer, the utility that allows you to configure and test your PXI system.

MHz Megahertz. One million Hertz; one Hertz equals one cycle per second.

ms Milliseconds.

MXI Multisystem eXtension Interface

MXI-3 A previous generation of MXI products (compared to MXI-4 and MXI-Express x1) that couples two physically separate PCI buses via a copper or fiber proprietary serial data link.

MXI-4 A previous generation of MXI products (compared to MXI-Express x1) that offers similar connectivity as MXI-3, but with link error correction capability.

MXI-Express An extension of MXI based upon PCI Express.

MXI-Express x1 copper cable Standard PCI Express specification compliant cable with 18-pin Molex TDP™ connectors.

MXI-Express x1 fiber optic cable 50/125 micrometer half-duplex multimode fiber optic cable with LC duplex connectors.

**N**

NEMA	National Electrical Manufacturers Association.
NI	National Instruments.
NI-488.2 or NI-488.2M	The National Instruments industry-standard software for controlling GPIB instruments.
NI-DAQ	The National Instruments industry-standard software for data acquisition instruments.

**P**

PCI	Peripheral Component Interconnect—A high-performance expansion bus architecture originally developed by Intel to replace ISA and EISA. It achieved widespread acceptance as a standard for PCs and workstations; it offers a theoretical maximum transfer rate of 132 Mbytes/s.
PCI card edge connector	The PCI card edge connector is the row of metal contacts along the bottom edge of a PCI plug-in card. The details for this connector are defined by the <i>PCI Specification</i> .
PCI Express	A scalable full-simplex serial bus standard that operates at 2.5 Gbps and offers both asynchronous and isochronous data transfers. Also known as PCIe.
PCI Express-to-PCI bridge	The <i>PCI Express Base Specification</i> defines a PCI Express-to-PCI bridge as a device that connects a PCI Express fabric and a PCI hierarchy. A PCI Express-to-PCI bridge enables certain MXI-Express x1 products to interface with PCI or PXI slots.
PCI Express x1 card edge connector	The card edge connector allows you to use the NI PCIe-8361/8362 in a x1 or wider PCI Express slot in a PC. The <i>PCI Express Card Electromechanical Specification</i> defines this connector.
PCI Express x1 switch	The <i>PCI Express Base Specification</i> defines a PCI Express switch as a logical collection of PCI Express-to-PCI Express bridge devices. A switch enables MXI-Express x1 products to extend the PCI Express fabric of a host PC to additional endpoints, such as PXI Express products.

PCI-PCI bridge	A device that transparently expands the PCI bus on a computer motherboard to another bus segment in the same machine. The bridge expands the number of PCI expansion slots, but remains transparent to the end user.
ppm	Parts-per-million.
PXI	PCI eXtensions for Instrumentation. PXI is an open specification that builds off the CompactPCI specification by adding instrumentation-specific features.
<b>R</b>	
RMS	Root mean squared. <i>See also</i> <a href="#">gRMS</a> .
<b>S</b>	
s	seconds
<b>T</b>	
target board	The MXI-Express x1 board of a cabled pair of boards that is farther from the CPU.
trigger	Either TTL or ECL lines used for intermodule communication.
TTL	Transistor-Transistor Logic
<b>U</b>	
USB	Universal Serial Bus—a serial bus for connecting computers to keyboards, printers, and other peripheral devices.
<b>V</b>	
V	volts
VISA	Virtual Instrument Software Architecture. This is the general name given to VISA and its associated architecture.

*Glossary*

$V_{pp}$  Peak-to-peak voltage.

**W**

W watts

**X**

x1 A PCI Express link or port with one physical lane.

# Index

---

## B

- back side LEDs, 3-11
- basic
  - MXI-Express x1 link topologies, figure, 1-10
  - MXI-Express x1 systems, 1-9
- block diagrams, 1-5
- bracket, low-profile, 3-3, D-1

## C

- cabling, 3-8
- calibration certificate (NI resources), E-2
- common questions, A-1
  - MXI-3/MXI-4 to MXI-Express x1, A-2
- configuration
  - additional, star (figure), 1-12
  - basic (figure), 1-10
  - software, 3-12
  - system, 3-12
- connecting
  - additional expansion chassis to a system, 2-4
  - PC or laptop to an expansion chassis, 2-2
- conventions used in the manual, *xi*

## D

- Declaration of Conformity (NI resources), E-2
- diagnostic tools (NI resources), E-1
- documentation
  - conventions used in manual, *xi*
  - NI resources, E-1
  - related documentation, *x*
- drivers (NI resources), E-1

## E

- environment specifications
  - NI ExpressCard-8360, B-27
  - NI ExpressCard-8360 (192290x-01), C-34
  - NI PCI-8361, B-2
  - NI PCI-8366, C-4
  - NI PCIe-8361, B-5
  - NI PCIe-8361 (191376x-02), C-11
  - NI PCIe-8361 (195315x-01L), C-7
  - NI PCIe-8362, B-8
  - NI PCIe-8362 (191376x-01), C-15
  - NI PXI-8360, B-11
  - NI PXI-8361, C-20
  - NI PXI-8364, B-15
  - NI PXI-8366, C-25
  - NI PXI-8367, C-31
  - NI PXIe-8360, B-19
  - NI PXIe-8364, B-23
- examples (NI resources), E-1

## G

- getting started, 2-1

## H

- help, technical support, E-1

## I

- installation
  - cabling, 3-8
  - configuration, 3-12
  - hardware, 3-2
  - low-profile bracket, 3-3, D-1
  - NI ExpressCard-8360 host card, 3-5
  - NI PCI-8361, 3-2

- NI PCI-8366, 3-2
- NI PCIe-8361, 3-2
- NI PCIe-8362, 3-2
- NI PXI-8360, 3-6
- NI PXI-8361, 3-6
- NI PXI-8364, 3-6
- NI PXI-8366, 3-6
- NI PXI-8367, 3-6
- NI PXIe-8360, 3-6
- NI PXIe-8364, 3-6
- powering down
  - MXI-Express x1 system, 3-9
- powering up
  - MXI-Express x1 system, 3-8
- software, 3-12
- instrument drivers (NI resources), E-1

## K

- KnowledgeBase, E-1

## L

- larger MXI-Express x1 systems, 1-12

### LED

- indicators, 3-9
- locations, 3-10, 3-11
- status descriptions, 3-9

## M

- MXI-3/MXI-4 to MXI-Express x1 common questions, A-2

### MXI-Express x1

- basic system, 1-9
- block diagrams, 1-5
- cabling, 3-8
- configuration, 3-1
- description and features, 1-1
- installation, 3-1
- larger systems, 1-12

- specifications, B-1

- NI ExpressCard-8360, B-29
- NI ExpressCard-8360 (192290x-01), C-34, C-35
- NI PCI-8361, B-3
- NI PCI-8366, C-5
- NI PCIe-8361, B-6
- NI PCIe-8361 (191376x-02), C-11
- NI PCIe-8361 (195315x-01), C-7
- NI PCIe-8362, B-9
- NI PCIe-8362 (191376x-01), C-15
- NI PXI-8360, B-13
- NI PXI-8361, C-21
- NI PXI-8364, B-17
- NI PXI-8366, C-27
- NI PXI-8367, C-32
- NI PXIe-8360, B-21
- NI PXIe-8364, B-25
- safety/compliance, B-3

- terminology, 2-1

- unpacking, 3-1

- MXI-Express x1 system expansion topologies (figure), 1-12

## N

- National Instruments support and services, E-1

### NI ExpressCard-8360

- compatibility, B-27
- dimensions, B-27
- installation, 3-5
- maximum cable length, B-27
- operating environment specs, B-28
- power requirements, B-27
- safety/compliance specs, B-29
- shock and vibration specs, B-28
- slot requirements, B-27
- storage environment specs, B-28
- weight specs, B-27

- NI ExpressCard-8360 (192290x-01)



- compatibility, C-34
- dimensions, C-34
- maximum cable length, C-34
- operating environment specs, C-35
- power requirements, C-34
- safety/compliance specs, C-35
- shock and vibration specs, C-35
- slot requirements, C-34
- storage environment specs, C-35
- weight specs, C-34
- NI PCI-8361
  - compatibility, B-2
  - dimensions, B-2
  - installation, 3-2
  - installing the low-profile bracket, 3-3
  - maximum cable length, B-2
  - operating environment specs, B-2
  - power requirements, B-2
  - safety/compliance specs, B-3
  - slot requirements, B-2
  - storage environment specs, B-3
  - weight specs, B-2
- NI PCI-8366
  - compatibility, C-3
  - dimensions, C-3
  - installation, 3-2
  - installing the low-profile bracket, D-1
  - maximum cable length, C-3
  - operating environment specs, C-4
  - power requirements, C-4
  - safety/compliance specs, C-5
  - slot requirements, C-3
  - storage environment specs, C-4
  - weight specs, C-3
- NI PCIe-8361
  - compatibility, B-5
  - dimensions, B-5
  - installation, 3-2
  - installing the low-profile bracket, 3-3
  - maximum cable length, B-5
  - operating environment specs, B-5
  - power requirements, B-5
  - safety/compliance specs, B-6
  - slot requirements, B-5
  - storage environment specs, B-6
  - weight specs, B-5
- NI PCIe-8361 (191376x-02)
  - compatibility, C-11
  - dimensions, C-11
  - maximum cable length, C-11
  - operating environment specs, C-12
  - power requirements, C-11
  - safety/compliance specs, C-12
  - slot requirements, C-11
  - storage environment specs, C-12
  - weight specs, C-11
- NI PCIe-8361 (195315x-01L)
  - compatibility, C-7
  - dimensions, C-7
  - maximum cable length, C-7
  - operating environment specs, C-8
  - power requirements, C-7
  - safety/compliance specs, C-8
  - slot requirements, C-7
  - storage environment specs, C-8
  - weight specs, C-7
- NI PCIe-8362
  - compatibility, B-8
  - dimensions, B-8
  - installation, 3-2
  - maximum cable length, B-8
  - operating environment specs, B-8
  - power requirements, B-8
  - safety/compliance specs, B-9
  - slot requirements, B-8
  - storage environment specs, B-9
  - weight specs, B-8
- NI PCIe-8362 (191376x-01)
  - compatibility, C-15
  - dimensions, C-15

- maximum cable length, C-15
- operating environment specs, C-15
- power requirements, C-15
- safety/compliance specs, C-16
- slot requirements, C-15
- storage environment specs, C-16
- weight specs, C-15
- NI PXI board
  - installation, 3-6
- NI PXI-8360
  - compatibility, B-11
  - dimensions, B-11
  - installation, 3-6
    - figure, 3-7
  - maximum cable length, B-11
  - operating environment specs, B-11
  - power requirements, B-11
  - random vibration specs, B-12
  - safety/compliance specs, B-13
  - shock and vibration specs, B-12
  - slot requirements, B-11
  - storage environment specs, B-12
  - weight specs, B-11
- NI PXI-8361
  - compatibility, C-19
  - dimensions, C-19
  - maximum cable length, C-19
  - operating environment specs, C-20
  - power requirements, C-20
  - random vibration specs, C-21
  - safety/compliance specs, C-21
  - shock and vibration specs, C-21
  - slot requirements, C-19
  - storage environment specs, C-20
  - weight specs, C-19
- NI PXI-8364
  - compatibility, B-15
  - dimensions, B-15
  - installation, 3-6
  - maximum cable length, B-15
  - operating environment specs, B-16
  - power requirements, B-15
  - random vibration specs, B-16
  - safety/compliance specs, B-17
  - shock and vibration specs, B-16
  - slot requirements, B-15
  - storage environment specs, B-16
  - weight specs, B-15
- NI PXI-8366
  - compatibility, C-25
  - dimensions, C-25
  - installation, 3-6
  - maximum cable length, C-25
  - operating environment specs, C-25
  - power requirements, C-25
  - random vibration specs, C-26
  - safety/compliance specs, C-27
  - shock and vibration specs, C-26
  - slot requirements, C-25
  - storage environment specs, C-26
  - weight specs, C-25
- NI PXI-8367
  - compatibility, C-30
  - dimensions, C-30
  - installation, 3-6
  - maximum cable length, C-30
  - operating environment specs, C-31
  - power requirements, C-31
  - random vibration specs, C-32
  - safety/compliance specs, C-32
  - shock and vibration specs, C-32
  - slot requirements, C-30
  - storage environment specs, C-31
  - weight specs, C-30
- NI PXIe-8360
  - back panel LEDs, 3-11
  - compatibility, B-19
  - dimensions, B-19
  - installation, 3-6
    - figure, 3-7

- maximum cable length, B-19
- operating environment specs, B-20
- power requirements, B-19
- random vibration specs, B-20
- safety/compliance specs, B-21
- shock and vibration specs, B-20
- slot requirements, B-19
- storage environment specs, B-20
- weight specs, B-19
- NI PXIe-8364
  - compatibility, B-23
  - dimensions, B-23
  - installation, 3-6
  - maximum cable length, B-23
  - operating environment specs, B-24
  - power requirements, B-23
  - random vibration specs, B-24
  - safety/compliance specs, B-25
  - shock and vibration specs, B-24
  - slot requirements, B-23
  - storage environment specs, B-24
  - weight specs, B-23
- NI support and services, E-1

## O

- operating environment specs
  - NI ExpressCard-8360, B-28
  - NI ExpressCard-8360 (192290x-01), C-35
  - NI PCI-8361, B-2
  - NI PCI-8366, C-4
  - NI PXIe-8361, B-5
  - NI PXIe-8361 (191376x-02), C-12
  - NI PXIe-8361 (195315x-01L), C-8
  - NI PXIe-8362, B-8
  - NI PXIe-8362 (191376x-01), C-15
  - NI PXI-8360, B-11
  - NI PXI-8361, C-20
  - NI PXI-8364, B-16
  - NI PXI-8366, C-25

- NI PXI-8367, C-31
- NI PXIe-8360, B-20
- NI PXIe-8364, B-24
- overview, functional, PCI/PXIe/PXI/PXIe, 1-3

## P

- power requirement specifications
  - NI ExpressCard-8360, B-27
  - NI ExpressCard-8360 (192290x-01), C-34
  - NI PCI-8361, B-2
  - NI PCI-8366, C-4
  - NI PXIe-8361, B-5
  - NI PXIe-8361 (191376x-02), C-11
  - NI PXIe-8361 (195315x-01L), C-7
  - NI PXIe-8362, B-8
  - NI PXIe-8362 (191376x-01), C-15
  - NI PXI-8360, B-11
  - NI PXI-8361, C-20
  - NI PXI-8364, B-15
  - NI PXI-8366, C-25
  - NI PXI-8367, C-31
  - NI PXIe-8360, B-19
  - NI PXIe-8364, B-23
- programming examples (NI resources), E-1
- PXI/PXI Express questions, A-5

## Q

- questions
  - common, A-1
  - general hardware, A-1
  - general software, A-5

## R

- random vibration specs
  - NI PXI-8360, B-12
  - NI PXI-8361, C-21
  - NI PXI-8364, B-16

- NI PXI-8366, C-26
- NI PXI-8367, C-32
- NI PXIe-8360, B-20
- NI PXIe-8364, B-24
- related documentation, *x*

## S

- shock and vibration specs

- NI ExpressCard-8360, B-28
- NI ExpressCard-8360 (192290x-01), C-35
- NI PXI-8360, B-12
- NI PXI-8361, C-21
- NI PXI-8364, B-16
- NI PXI-8366, C-26
- NI PXI-8367, C-32
- NI PXIe-8360, B-20
- NI PXIe-8364, B-24

- software

- common questions, PXI/PXI Express, A-5
- configuration, 3-12

- software (NI resources), E-1

- specifications, B-1

- legacy products, C-1

- physical

- NI ExpressCard-8360, B-27
- NI ExpressCard-8360 (192290x-01), C-34
- NI PCI-8361, B-2
- NI PCI-8366, C-3
- NI PCIE-8361, B-5
- NI PCIE-8361 (191376x-02), C-11
- NI PCIE-8361 (195315x-01L), C-7
- NI PCIE-8362, B-8
- NI PCIE-8362 (191376x-01), C-15
- NI PXI-8360, B-11
- NI PXI-8361, C-19
- NI PXI-8364, B-15
- NI PXI-8366, C-25

- NI PXI-8367, C-30
- NI PXIe-8360, B-19
- NI PXIe-8364, B-23

- power requirements

- NI ExpressCard-8360, B-27
- NI ExpressCard-8360 (192290x-01), C-34
- NI PCI-8361, B-2
- NI PCI-8366, C-4
- NI PCIE-8361, B-5
- NI PCIE-8361 (191376x-02), C-11
- NI PCIE-8361 (195315x-01L), C-7
- NI PCIE-8362, B-8
- NI PCIE-8362 (191376x-01), C-15
- NI PXI-8360, B-11
- NI PXI-8361, C-20
- NI PXI-8364, B-15
- NI PXI-8366, C-25
- NI PXI-8367, C-31
- NI PXIe-8360, B-19
- NI PXIe-8364, B-23

- storage environment specifications

- NI ExpressCard-8360, B-28
- NI ExpressCard-8360 (192290x-01), C-35
- NI PCI-8361, B-3
- NI PCI-8366, C-4
- NI PCIE-8361, B-6
- NI PCIE-8361 (191376x-02), C-12
- NI PCIE-8361 (195315x-01L), C-8
- NI PCIE-8362, B-9
- NI PCIE-8362 (191376x-01), C-16
- NI PXI-8360, B-12
- NI PXI-8361, C-20
- NI PXI-8364, B-16
- NI PXI-8366, C-26
- NI PXI-8367, C-31
- NI PXIe-8360, B-20
- NI PXIe-8364, B-24

- support, technical, E-1

- system configuration, 3-12

## **T**

technical support, E-1

training and certification (NI resources), E-1

troubleshooting (NI resources), E-1

## **U**

unpacking, 3-1

## **W**

Web resources, E-1