

COMPREHENSIVE SERVICES

We offer competitive repair and calibration services, as well as easily accessible documentation and free downloadable resources.

SELL YOUR SURPLUS

We buy new, used, decommissioned, and surplus parts from every NI series. We work out the best solution to suit your individual needs.

 Sell For Cash  Get Credit  Receive a Trade-In Deal

OBSOLETE NI HARDWARE IN STOCK & READY TO SHIP

We stock **New**, **New Surplus**, **Refurbished**, and **Reconditioned** NI Hardware.



Bridging the gap between the manufacturer and your legacy test system.

 1-800-915-6216

 www.apexwaves.com

 sales@apexwaves.com

All trademarks, brands, and brand names are the property of their respective owners.

Request a Quote

 **CLICK HERE**

SCC-SG04

USER GUIDE

SCC-SG Series Strain Gage Modules

This document discusses all of the mechanical, electrical, and scaling considerations of each strain gage configuration type supported by NI. The SCC-SG Series strain-gage input modules (SCC-SGXX) allow you to take quarter-, half-, and full-bridge configuration strain measurements. Use them as follows:

- SCC-SG01 for 120 Ω quarter-bridge configurations.
- SCC-SG02 for 350 Ω quarter-bridge configurations.
- SCC-SG03 for half-bridge configurations.
- SCC-SG04 for full-bridge configurations.
- SCC-SG24 for at least 350 Ω full-bridge configurations.

Each module consists of two strain-gage input channels, offset-nulling circuitry for each channel, and an excitation circuit. Each input channel includes an instrumentation amplifier with differential inputs and a fixed gain of 100.

The SCC-SG11 is a shunt calibration module. It contains two pairs of switches and resistors that you connect across strain gage elements where you want to perform shunt calibration.

Contents





Conventions	4
What You Need to Get Started	5
Device Specific Information	6
Installing the Module	6
Connecting Strain Gage Input Signals	6
Panelettes	7
SCC-SG0X and SCC-SG24	7
Variable Definitions.....	7

SCC-SG01/02 Quarter-Bridge Connection	7
Quarter-Bridge Type I.....	8
SCC-SG03 Half-Bridge Connection	10
Half-Bridge Type I.....	10
Half-Bridge Type II.....	11
Quarter-Bridge Type II.....	12
SCC-SG04/24 Full-Bridge Connection.....	14
Full-Bridge Type I.....	14
Full-Bridge Type II	15
Full-Bridge Type III	16
Calibration	18
Using Shunt Calibration to Correct for Gain Error	18
Shunt Calibration Using the SCC-SG11	19
Replacing Resistors	23
Replacing the Quarter-Bridge Completion Resistors	23
Replacing the Nulling Resistors	24
Replacing the Shunt Resistors	24
Using the SCC-SGXX.....	25
Converting Voltage Measurements to Units of Strain	25
Strain Equations.....	26
Formulas and Variable Definitions	27
Quarter-Bridge Type I.....	27
Quarter-Bridge Type II.....	28
Half-Bridge Type I.....	28
Half-Bridge Type II.....	28
Full-Bridge Type I.....	29
Full-Bridge Type II	29
Full-Bridge Type III	29
Specifications.....	30
SCC-SG0X Strain Gage Input Modules	30
Strain Gage Bridge Configuration.....	30
Analog Input.....	30
Transfer Characteristics.....	30
Amplifier Characteristics	31
Excitation	31
Strain Gage Bridge Completions.....	31
Completion Accuracy.....	31
Power Requirements	32
SCC-SG24 Strain Gage Input Module	32
Analog Input.....	32
Transfer Characteristics.....	32
Amplifier Characteristics	33
Dynamic	33
Stability	33

Null Compensation	33
Excitation	34
Power Requirements	34
SCC-SG11 Shunt Calibration Module	34
Digital I/O	34
Shunt Calibration	34
Power Requirements	35
SCC-SGXX Strain Gage Input Modules	35
Maximum Working Voltage	35
Physical	35
Environmental	36
Safety	36
Electromagnetic Compatibility	36
CE Compliance	36
SCC-SGXX Module Pin Assignments	37
Theory of Operation	39
Strain Gage Theory	39
Wheatstone Bridges	39
Strain Gages	40
Quarter-Bridge Type I	41
Quarter-Bridge Type II	42
Half-Bridge I	43
Half-Bridge II	44
Full-Bridge Type I	45
Full-Bridge Type II	46
Full-Bridge Type III	47
Signal Conditioning Theory	48
Filtering	48
Amplification	48
Excitation	48
Bridge Completion	49
Theory of Calibration	49
Offset Nulling Adjustment	49
Nulling Range Adjustment	49

Conventions

The following conventions are used in this guide:

<>	Angle brackets that contain numbers separated by an ellipsis represent a range of values associated with a bit or signal name—for example, AI <0..7>.
»	The » symbol leads you through nested menu items and dialog box options to a final action. The sequence File»Page Setup»Options directs you to pull down the File menu, select the Page Setup item, and select Options from the last dialog box.
	This icon denotes a note, which alerts you to important information.
	This icon denotes a caution, which advises you of precautions to take to avoid injury, data loss, or a system crash. When this symbol is marked on the product, refer to the <i>Read Me First: Safety and Radio-Frequency Interference</i> document, shipped with the product, for precautions to take.
	When symbol is marked on a product it denotes a warning advising you to take precautions to avoid electrical shock.
	When symbol is marked on a product it denotes a component that may be hot. Touching this component may result in bodily injury.
bold	Bold text denotes items that you must select in software, such as menu items and dialog box options. Bold text also denotes parameter names.
<i>italic</i>	Italic text denotes variables, emphasis, a cross reference, or an introduction to a key concept. This font also denotes text that is a placeholder for a word or value that you must supply.
monospace	Text in this font denotes text or characters that you should enter from the keyboard, sections of code, programming examples, and syntax examples. This font is also used for the proper names of disk drives, paths, directories, programs, subprograms, subroutines, device names, functions, operations, variables, filenames, and extensions.
DAQ device	Data acquisition (DAQ) device refers to all entry-level basic and full-featured E Series multifunction DAQ devices.
SC-2345	SC-2345 refers to both the SC-2345 connector block and the SC-2345 with configurable connectors.
SCC	SCC refers to any SCC Series signal conditioning module.

SCC-SG0X

SCC-SG0X refers to SCC-SG Series strain gage input modules SG01, SG02, SG03, and SG04.

SCC-SGXX

SCC-SGXX refers to any SCC-SG series strain gage module.

What You Need to Get Started

To set up and use the SCC-SGXX, you need the following items:

- SC-2345/2350 with one of the following:
 - SCC-PWR01
 - SCC-PWR02 and the PS01 power supply
 - SCC-PWR03 (requires a 7 to 42 VDC power supply, not included)
- One or more SCC-SGXX
- SCC-SG Series Strain Gage Modules User Guide*
- SC-2345/2350 User Manual*, available at ni.com
- SCC Quick Start Guide*, available at ni.com
- Read Me First: Safety and Radio-Frequency Interference*
- SC-2345 Quick Reference Label
- 68-pin Basic or E Series DAQ device, documentation, and 68-pin cable
- 1/8 in. flathead screwdriver
- Numbers 1 and 2 Phillips screwdrivers
- Wire insulation strippers
- NI-DAQ (current version) for Windows 2000/NT/XP/Me



Note Software scaling of measurements is not supported on the Macintosh operating system. Refer to the [Converting Voltage Measurements to Units of Strain](#) section for more information.

Device Specific Information



Note For general SCC module installation and signal connection information, and information about the SC-2350 carrier, refer to the *SCC Quick Start Guide*, available for download at ni.com/manuals.

Installing the Module



Caution Refer to the *Read Me First: Safety and Radio-Frequency Interference* document before removing equipment covers or connecting/disconnecting any signal wires. For information about the SC-2350 carrier, refer to the *SCC Quick Start Guide*.

This section explains how to install the SCC-SGXX in the SC-2345 carrier.



Note The SCC-SG0X and SCC-SG24 can act both as a single-stage module and as the *first* stage of a dual-stage configuration.

Plug the SCC-SG0X or the SCC-SG24 into any SC-2345 socket J(X+1), where X is 0 to 7, and wire the bridge configuration signals to the module. The socket you choose determines which E Series DAQ device channels receive the SCC-SG0X or SCC-SG24 signals, as explained in the *Connecting Strain Gage Input Signals* section.

If you are using an SCC-SG11 for shunt calibration, plug it into any digital input/output (P0.) socket J(X+9), where X is 0 to 7. This is not a dual-stage configuration. You must connect the SCC-SG11 to the bridge configuration using additional wires. Refer to the *Shunt Calibration Using the SCC-SG11* section.

Connecting Strain Gage Input Signals



Notes The SCC-SG11 has a four-terminal screw-terminal receptacle. Refer to the *Shunt Calibration Using the SCC-SG11* for more information about using the SCC-SG11.

The signal names have changed. Refer to ni.com/info and enter `rdtntg` to confirm the signal names.

Refer to the *SCC Quick Start Guide* for general information about connecting input signals.

Each screw terminal on the SCC-SG0X and SCC-SG24 is labeled by pin number <1..6>. The input stage of the SCC-SG0X and SCC-SG24 provides two differential analog input channels for measuring strain. The input pins to the SCC-SG0X and SCC-SG24 differ for each module. Pin 4 is a single-ended channel routed to E Series DAQ device channel X+8, and

pin 6 is a single-ended channel routed to E Series DAQ device channel X . The value of X is 0 to 7 depending on the socket where you plug in the SCC-SG0 X and SCC-SG24, J($X+1$) or J($X+9$).

Panelettes

If you have an SCC carrier with configurable connectors, you can install connectivity and interface panelettes to customize the SCC system. Panelettes simplify signal connection to the SCC modules and eliminate the need to rewire signals to the screw terminals when you change the signal source.

The most common panelettes used with the SCC-SG0 X and SCC-SG24 strain applications are the 9-pin D-Subminiature (DSUB), MIL-Spec, and LEMO (B-Series).

SCC-SG0 X and SCC-SG24

The various bridge configurations discussed in the *Strain Gages* section require different SCC modules. The following sections discuss the bridge configuration types supported by each module, and provide connection and electrical diagrams for the different bridge configurations.

Variable Definitions

In the following figures, the variables are defined as:

ϵ is the measured strain (+ ϵ is tensile strain and $-\epsilon$ is compressive strain).

ν is the Poisson's ratio, defined as the negative ratio of transverse strain to axial (longitudinal) strain.

V_{CH} is the measured voltage of the signal.

V_{EX} is the excitation voltage.

SCC-SG01/02 Quarter-Bridge Connection

In a quarter-bridge configuration, you use only one active strain gage element. The following section describes how to connect a quarter-bridge strain gage configuration type I.



Note NI software supports two quarter-bridge configuration types. However, to measure the quarter-bridge configuration type II you must use the SCC-SG03. Refer to the [SCC-SG03 Half-Bridge Connection](#) section for more information.

The SCC-SG01 module label displays the icon shown in Figure 1 and the SCC-SG02 module label displays the icon shown in Figure 2. These icon labels also represent the bridge configurations of the modules. On the SCC-SGXX module labels the boxed resistors represent external active strain gage elements.

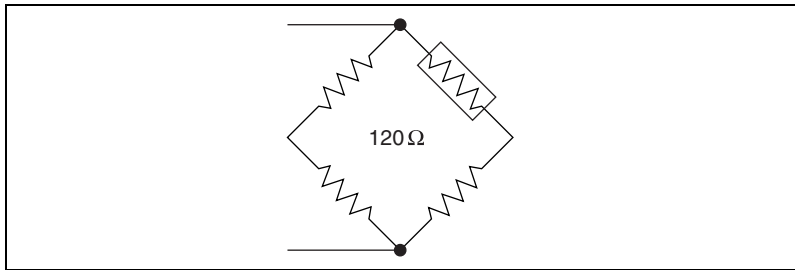


Figure 1. SCC-SG01 Icon

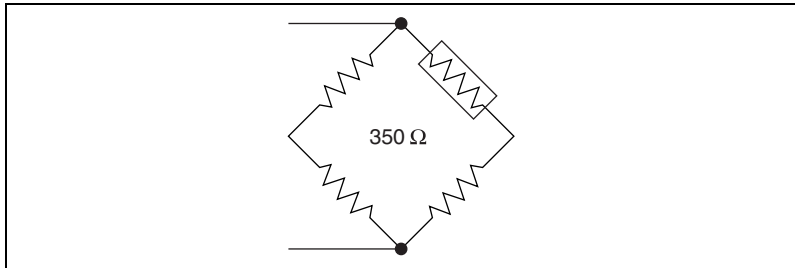


Figure 2. SCC-SG02 Icon

Quarter-Bridge Type I

This section provides information for the quarter-bridge strain gage configuration type I. The quarter-bridge type I measures either axial or bending strain.

Figure 3 shows a general quarter-bridge type I circuit diagram.

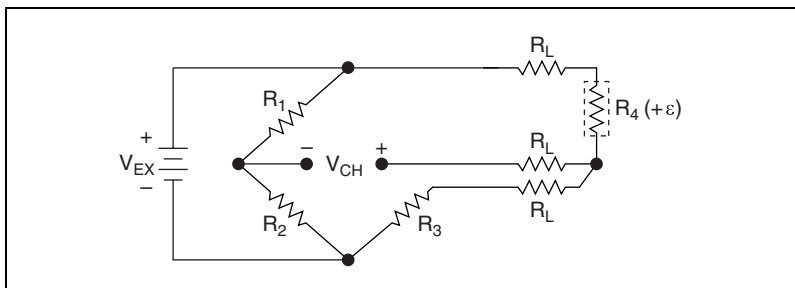


Figure 3. Quarter-Bridge Type I Circuit Diagram

The following symbols apply to the circuit diagram and equations:

- R_1 and R_2 are half-bridge completion resistors.
- R_3 is the socketed quarter-bridge completion resistor (dummy resistor).
- R_4 is the active element measuring tensile strain (+ ϵ).

Figure 4 shows how to set up two quarter-bridge type I configurations with the SCC-SG01/02.

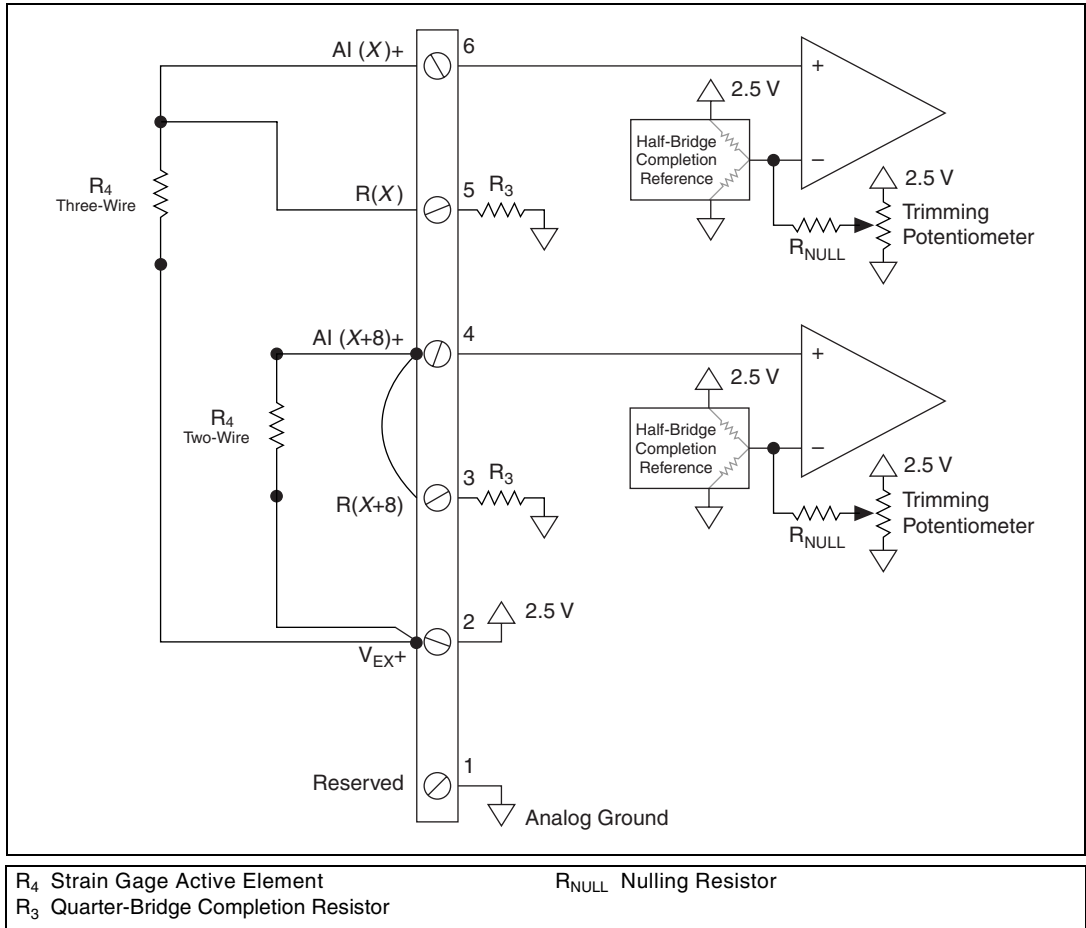


Figure 4. SCC-SG01/02 Quarter-Bridge Configuration Connection (Two Channels)

Connect the two-wire strain gage element leads to AI (X) and V_{EX+} . For a three-wire strain gage, connect the two-wire lead to AI (X)+ and R(X), then connect the single lead to V_{EX+} . Figure 4 shows two quarter-bridge configurations using AI (X) and AI (X+8) with a three-wire strain gage connected to AI (X) and a two-wire strain gage connected to

AI (X+8). If you are using a two-wire strain gage, short the AI (X) or AI (X+8) screw terminal with the corresponding reference screw terminal, R(X) and R(X+8).

The dummy resistor must be equal in value to the nominal resistance of the active strain gage element. The SCC-SG01 contains one 120 Ω quarter-bridge completion resistor per channel. The SCC-SG02 contains one 350 Ω quarter-bridge completion resistor per channel. One socketed quarter-bridge completion resistor is internally connected between R(X) and analog ground. The other is between R(X+8) and analog ground. These resistors are socketed for easy replacement. Refer to the [Replacing Resistors](#) section for more information.

SCC-SG03 Half-Bridge Connection

In a half-bridge configuration, you use two active strain gage elements. A half-bridge completion reference inside the SCC-SG03 completes the bridge configuration. There are two half-bridge configuration types supported by NI software, and one quarter-bridge configuration type that requires half-bridge completion. The following sections describe how to connect half-bridge strain gage configuration types I and II and quarter-bridge strain gage configuration type II.

The SCC-SG03 module label displays the icon shown in Figure 5. This icon label also represents the module bridge configuration.

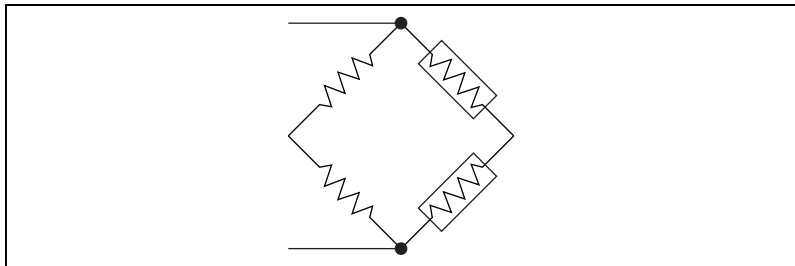


Figure 5. SCC-SG03 Icon

Half-Bridge Type I

This section provides information for the half-bridge strain gage configuration type I. The half-bridge type I measures either axial or bending strain.

Figure 6 shows a general half-bridge type I circuit diagram.

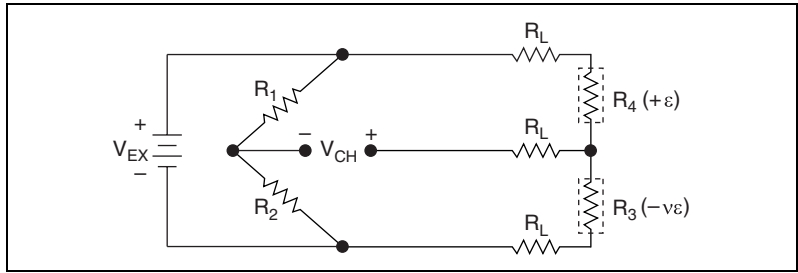


Figure 6. Half-Bridge Type I Circuit Diagram

The following symbols apply to the circuit diagram and equations:

- R_1 and R_2 are half-bridge completion resistors.
- R_3 is the active element measuring compression from Poisson effect ($-v\varepsilon$).
- R_4 is the active element measuring tensile strain ($+\varepsilon$).

Figure 9 shows how to set up two half-bridge type I configurations with the SCC-SG03.

Half-Bridge Type II

This section provides information for the half-bridge strain gage configuration type II. The half-bridge type II only measures bending strain.

Figure 7 shows a general half-bridge type II circuit diagram.

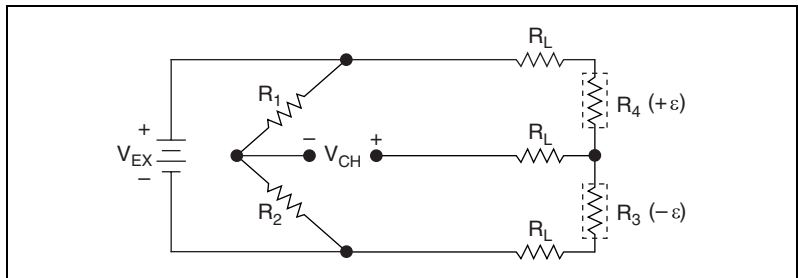


Figure 7. Half-Bridge Type II Circuit Diagram

The following symbols apply to the circuit diagram and equations:

- R_1 and R_2 are half-bridge completion resistors.
- R_3 is the active element measuring compressive strain ($-\varepsilon$).
- R_4 is the active element measuring tensile strain ($+\varepsilon$).

Figure 9 shows how to set up two half-bridge type II configurations with the SCC-SG03.

Quarter-Bridge Type II

This section provides information for the quarter-bridge strain gage configuration type II. The quarter-bridge type II measures either axial or bending strain.



Note The quarter-bridge temperature-compensating element (dummy strain gage) adds an additional strain gage element to the quarter-bridge type II that is not present in the quarter-bridge type I. You must use the half-bridge completion on the SCC-SG03 for the quarter-bridge type II to function properly.

Figure 8 shows a general quarter-bridge type II circuit diagram.

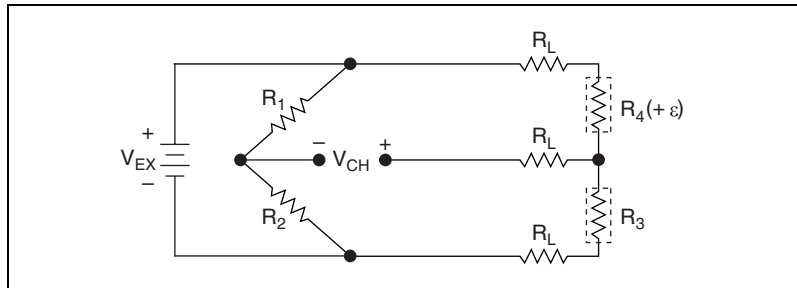
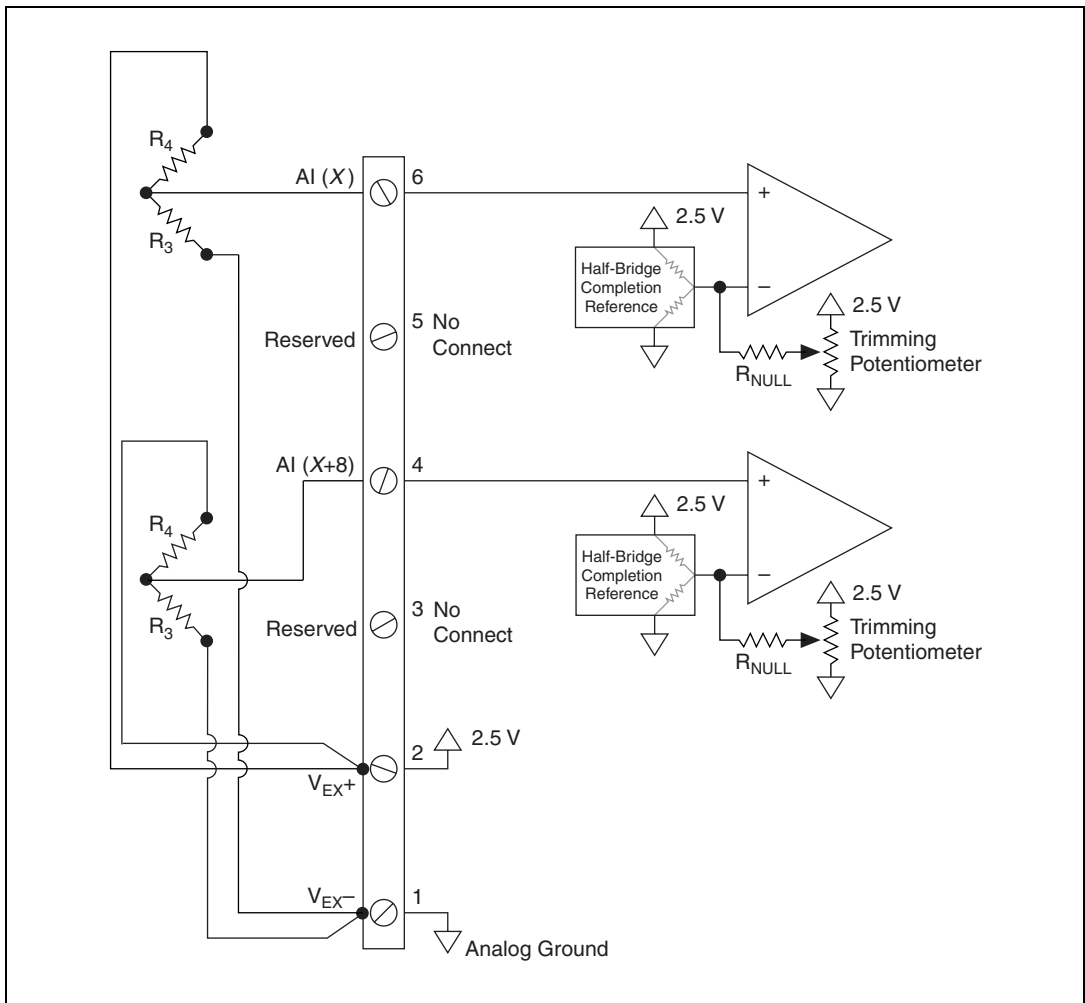


Figure 8. Quarter-Bridge Type II Circuit Diagram

The following symbols apply to the circuit diagram and equations:

- R_1 and R_2 are a half-bridge completion resistors.
- R_3 is the quarter-bridge temperature-compensating element (dummy strain gage).
- R_4 is the active element measuring tensile strain ($+\epsilon$).

Figure 9 shows how to set up two quarter-bridge type II configurations with the SCC-SG03. You connect a quarter-bridge type II to the SCC-SG03 the same way you connect a half-bridge configuration to the SCC-SG03.



R_4 Strain Gage Active Element

R_{NULL} Nulling Resistor

R_3 Quarter-Bridge Completion Resistor, or Temperature-Compensating Element

Figure 9. SCC-SG03 Half-Bridge Configuration Connection (Two Channels)

Use three lead wires to connect the strain gages to screw terminals V_{EX+} , V_{EX-} , and $AI(X)+$. The pair of wires connected to V_{EX+} and V_{EX-} provide excitation voltage to the strain gage. The other wire, connected to $AI(X)+$, senses the output voltage of the strain gage with respect to the internal half-bridge completion reference. Figure 9 shows two half-bridge configurations using $AI(X)$ and $AI(X+8)$.

SCC-SG04/24 Full-Bridge Connection

In a full-bridge configuration, you use four active strain gage elements in the bridge configuration with all of the elements external to the SCC module. There are three full-bridge configuration types supported by NI software. The following sections describe how to connect full-bridge configuration types I, II, and III.

The SCC-SG04/24 module labels display the icon shown in Figure 10. These icon labels also represent the bridge configuration of the modules.



Note By factory-default, the nulling resistors are *not* installed in the SCC-SG24. Refer to the [Replacing Resistors](#) section for information on installing the nulling resistors.

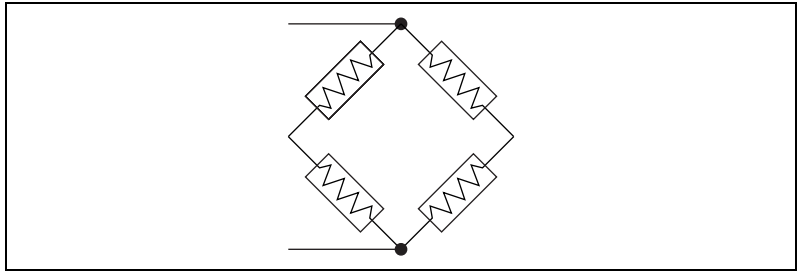


Figure 10. SCC-SG04/24 Icon

Full-Bridge Type I

This section provides information for the full-bridge strain gage configuration type I. The full-bridge type I only measures bending strain.

Figure 11 shows a general full-bridge type I circuit diagram.

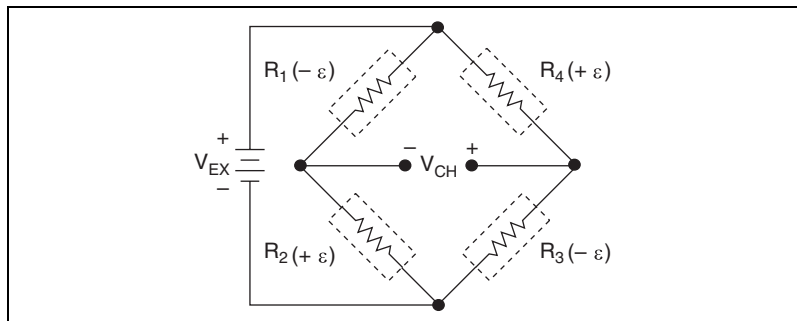


Figure 11. Full-Bridge Type I Circuit Diagram

The following symbols apply to the circuit diagram and equations:

- R_1 is an active element measuring compressive strain ($-\epsilon$).
- R_2 is an active element measuring tensile strain ($+\epsilon$).
- R_3 is an active element measuring compressive strain ($-\epsilon$).
- R_4 is an active element measuring tensile strain ($+\epsilon$).

Figure 14 shows how to set up two full-bridge type I configurations with the SCC-SG04/24.

Full-Bridge Type II

This section provides information for the full-bridge type II strain gage configuration. The full-bridge type II only measures bending strain.

Figure 12 shows a general full-bridge type II circuit diagram.

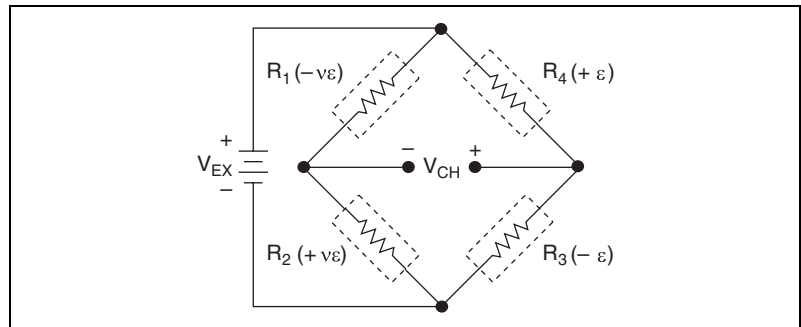


Figure 12. Full-Bridge Type II Circuit Diagram

The following symbols apply to the circuit diagram and equations:

- R_1 is an active element measuring compressive Poisson effect ($-v\epsilon$).
- R_2 is an active element measuring tensile Poisson effect ($+v\epsilon$).
- R_3 is an active element measuring compressive strain ($-\epsilon$).
- R_4 is an active element measuring tensile strain ($+\epsilon$).

Figure 14 shows how to set up two full-bridge type II configurations with the SCC-SG04/24.

Full-Bridge Type III

This section provides information for the full-bridge strain gage configuration type III. The full-bridge type III only measures axial strain.

Figure 13 shows a general full-bridge type III circuit diagram.

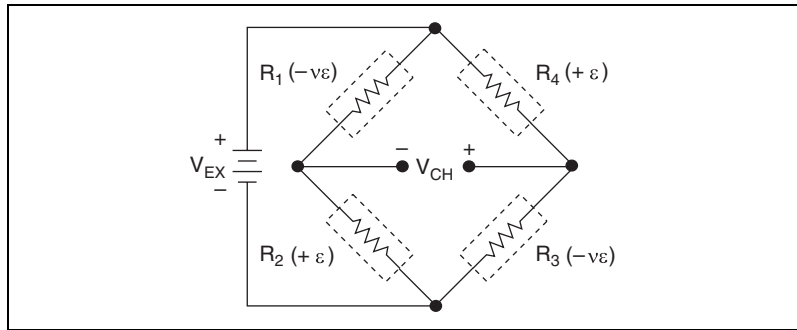
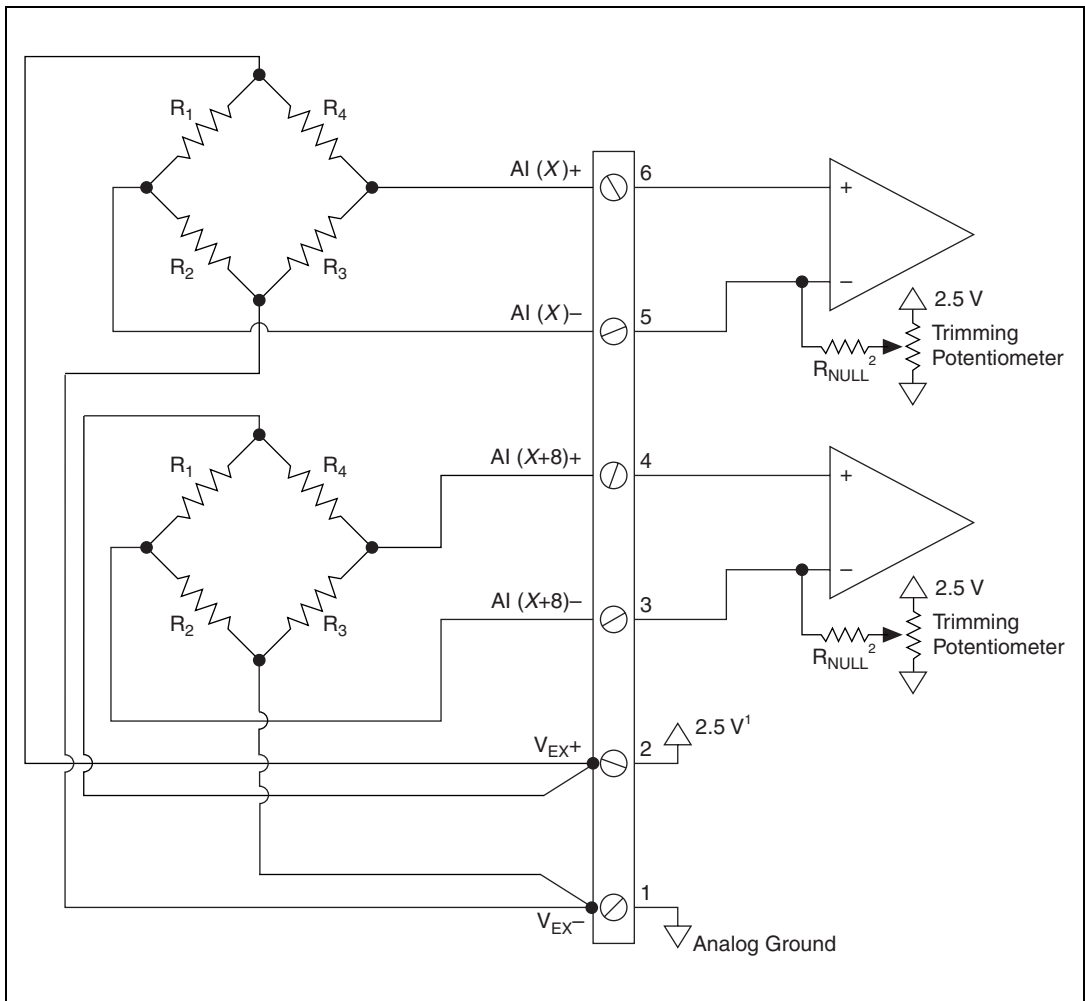


Figure 13. Full-Bridge Type III Circuit Diagram

The following symbols apply to the circuit diagram and equations:

- R_1 is an active element measuring compressive Poisson effect ($-v\varepsilon$).
- R_2 is an active element measuring tensile strain ($+\varepsilon$).
- R_3 is an active element measuring compressive Poisson effect ($-v\varepsilon$).
- R_4 is an active element measuring the tensile strain ($+\varepsilon$).

Figure 14 shows how to set up two full-bridge type III configurations with the SCC-SG04/24.



¹ The SCC-SG24 provides a 10 VDC excitation current.

² By factory-default, the nulling resistors are not installed in the SCC-SG24.

Figure 14. SCC-SG04/24 Full-Bridge Configuration Connection (Two Channels)

To connect a single full-bridge configuration to a channel, use four lead wires to connect the strain gages to screw terminals V_{EX+} , V_{EX-} , $AI(X)+$, and $AI(X)-$. The two wires connected to V_{EX+} and V_{EX-} provide excitation voltage to the strain gages. The other two wires, connected to $AI(X)+$ and $AI(X)-$, sense the output voltage of the strain gages. Figure 14 shows two full-bridge configurations using $AI(X)$ and $AI(X+8)$.

Calibration

To null the voltage offset of the system including the bridge configuration, complete the following steps:

1. Configure and connect the bridge configuration to an SCC-SG0X or SCC-SG24 channel.
2. Create a strain gage virtual channel. Refer to the *SCC Quick Start Guide* for more information.
3. Read the channel using a Measurement & Automation Explorer (MAX) test panel or in another continuous acquisition application.
4. If you see a flat line in your test panel, increase the channel input limits until you see a changing signal. Try $\pm 50,000 \mu\epsilon$.
5. While monitoring the channel input voltage, rotate the appropriate trimming potentiometer wiper with a flathead screwdriver until you read 0.0 ϵ .
6. Next, decrease the input range (use $\pm 1,000 \mu\epsilon$) and repeat step 5.

You have successfully nulled the system offset.

Using Shunt Calibration to Correct for Gain Error

1. Calculate the voltage change expected from the introduction of the shunt-calibration resistor using the following formula:

$$\Delta V_{EXPECTED} = \frac{R_3 V_{EX} (R_{SCAL} + R_4)}{R_4 R_{SCAL} + R_3 (R_{SCAL} + R_4)} - \frac{V_{EX}}{2}$$

where

R_{SCAL} is the value of the shunt-calibration resistor.

R_4 is the nominal active strain gage element value.

R_3 is either the value of a completion resistor or a second active strain gage element nominal value.

V_{EX} is the excitation voltage.

For example, for a quarter-bridge configuration where

$$R_4 = 120 \Omega$$

$$R_3 = 120 \Omega$$

$$R_{SCAL} = 301 \text{ k}\Omega$$

$$V_{EX} = 2.5 \text{ VDC}$$

$$\text{Offset Voltage} = 0 \text{ VDC,}$$

then $\Delta V_{EXPECTED} = 0.2491 \text{ mV}$.



Note Before completing step 2, null the system offset voltage. Refer to the [Calibration](#) section for information on how to null the system offset voltage.

2. Enable the shunt-calibration circuit and measure the resulting voltage change ($\Delta V_{MEASURED}$). Use the following equation to calculate a correction factor that compensates for the DAQ system gain error.

$$\frac{\Delta V_{EXPECTED}}{\Delta V_{MEASURED}} = F_C$$

where

$\Delta V_{EXPECTED}$ is the expected change in voltage.

$\Delta V_{MEASURED}$ is the measured change in voltage.

F_C is the correction factor.

3. Multiply subsequent voltage measurements by the correction factor F_C to correct for any gain error present in the DAQ system.

Shunt Calibration Using the SCC-SG11

The SCC-SG11 shunt calibration module label displays the icon shown in Figure 15. This icon label also represents the shunt calibration configuration using the SCC-SG11 with the SCC-SG0X or SCC-SG24.

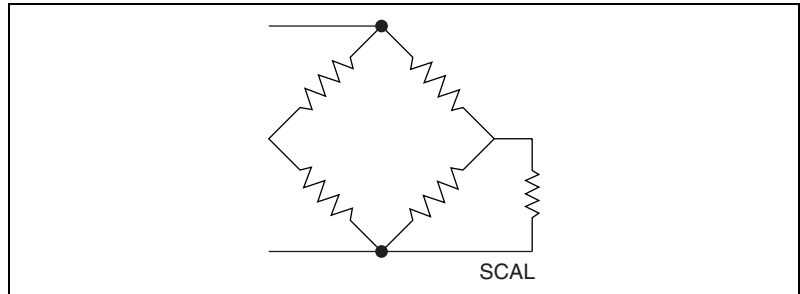


Figure 15. SCC-SG11 Icon

Connecting the SCC-SG11 Shunt Resistors

Install the SCC-SG11 according to the instructions in the [Installing the Module](#) section. Connect the shunt-calibration circuits as shown in Figures 16, 17, or 18, depending on the bridge configuration.

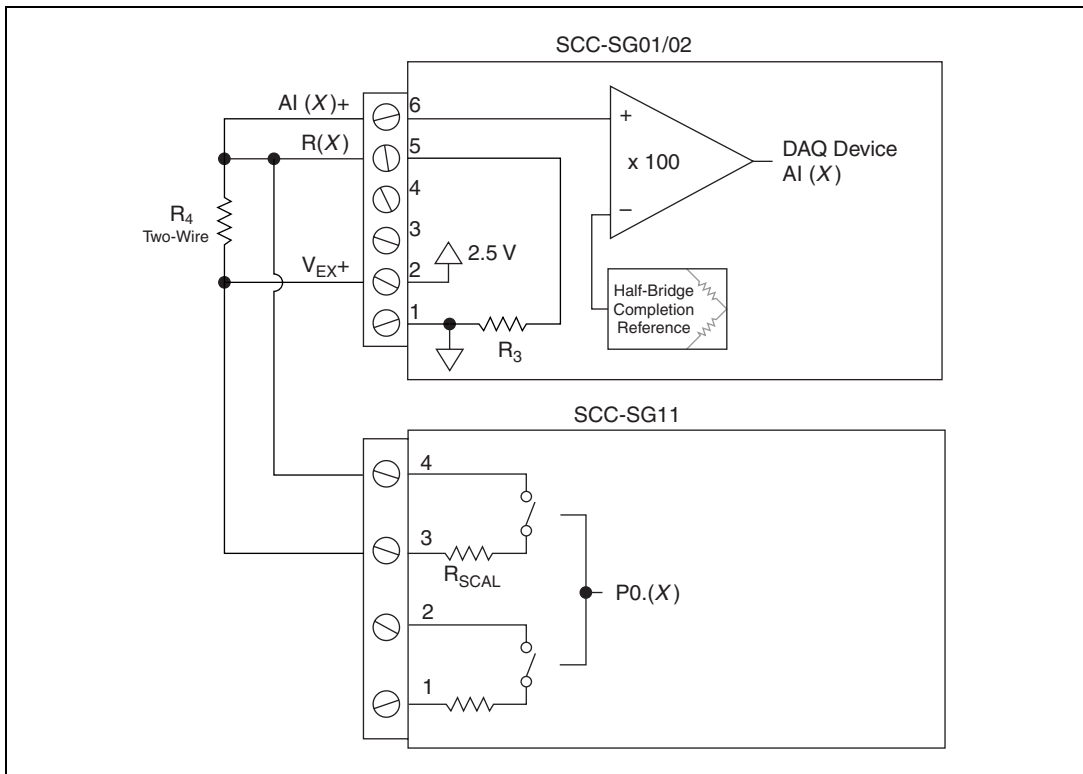


Figure 16. Quarter-Bridge Shunt Calibration Configuration Using SCC-SG11 and SCC-SG01/02 (One Channel) to Shunt R_4

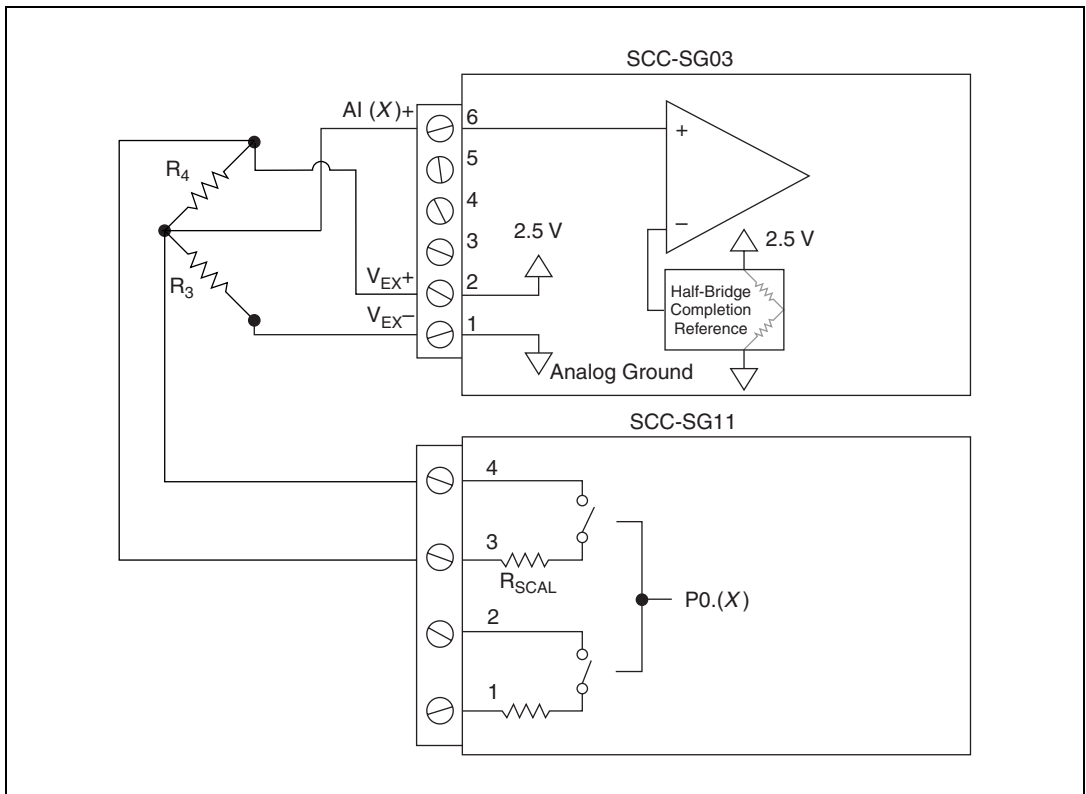


Figure 17. Half-Bridge Shunt Calibration Configuration Using SCC-SG11 and SCC-SG03 (One Channel) to Shunt R₄

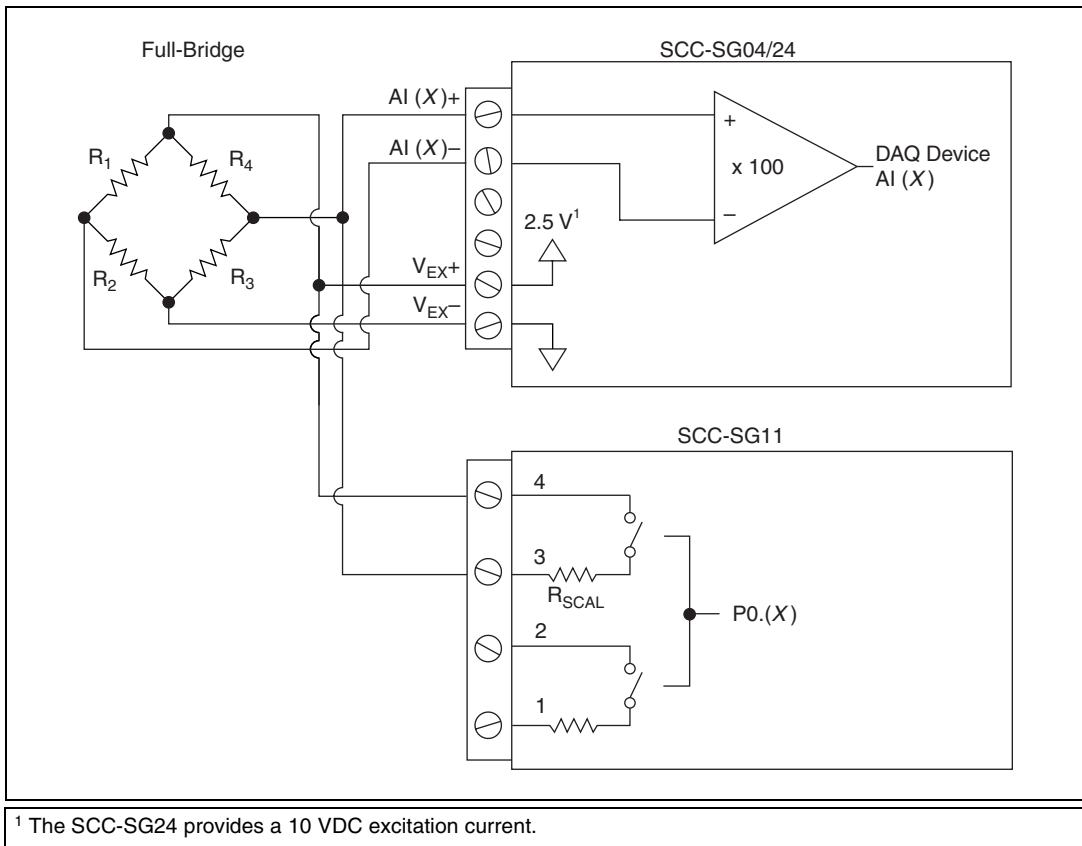


Figure 18. Full-Bridge Shunt Calibration Configuration Using SCC-SG11 and SCC-SG04/24 (One Channel) to Shunt R_4

Each screw terminal of the SCC-SG11 is labeled by pin number <1..4>. The SCC-SG11 contains two shunt-calibration circuits, each consisting of a precision 301 k Ω resistor and a relay contact. The circuits are independent of each other, but the relay contacts are controlled together by E Series DAQ device digital output channel $P0.(X)$. The value of X is determined by the number of the SC-2345 socket, $J(X+9)$, where you plug in the SCC-SG11.

When $P0.(X)$ is set to 1 on the E Series DAQ device, the shunt-calibration circuits are enabled and the LED indicator on the SCC-SG11 is lit. When $P0.(X)$ is set to 0, the circuits are disabled and the LED indicator on the SCC-SG11 is off. At startup or reset, the circuits are disabled. When the circuits are enabled, the shunt-calibration resistor is connected to the SCC-SG11 screw terminals. This allows you to place a resistor in parallel with a strain gage element.



Note Shunt calibration with the SCC-SG11 is not a dual-stage configuration. You must supply additional wires as described in this section and shown in Figures 16, 17, and 18.

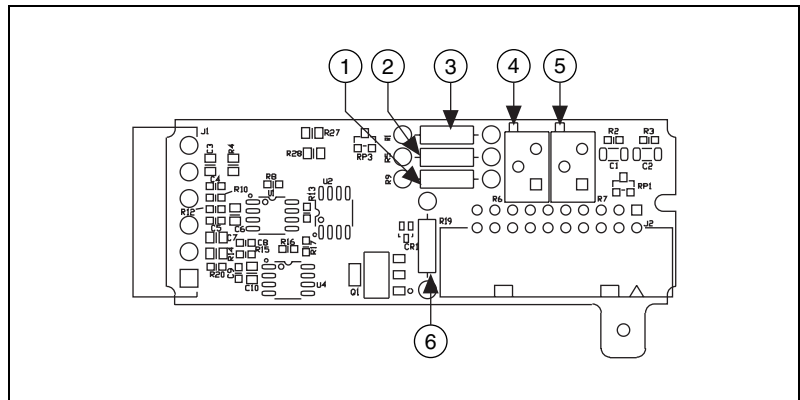
Replacing Resistors

The SCC-SGXX all have socketed resistors so you can easily replace them. A typical 1/4 W size resistor should fit in the socket. Refer to the [Specifications](#) section for socket dimensions.

Replacing the Quarter-Bridge Completion Resistors

To replace a quarter-bridge completion resistor on the SCC-SG01/02, complete the following steps:

1. Remove the screw from the back (wide unlabeled side).
2. Turn the front (wide labeled side) toward you.
3. Place the screw-terminal receptacle to the left.
4. Slide the top cover to the right.
5. Lift off the cover.
6. Locate the completion resistor and replace it with a resistor that matches the value of the strain gage element actively measuring strain. Refer to Figure 19 to locate the completion resistor.



- 1 R9 Quarter-Bridge Completion Resistor for AI (X)
(SCC-SG01 and SCC-SG02 only)
- 2 R5 Nulling Resistor for AI (X+8)
- 3 R1 Nulling Resistor for AI (X)
- 4 R6 Offset Nulling Adjustment for AI (X)
- 5 R7 Offset Nulling Adjustment for AI (X+8)
- 6 R19 Quarter-Bridge Completion Resistor for AI (X+8)
(SCC-SG01 and SCC-SG02 only)

Figure 19. SCC-SG0X Parts Locator Diagram

Replacing the Nulling Resistors

To replace a nulling resistor on the SCC-SG0X or SCC-SG24, complete the following steps:

1. Remove the screw from the back (wide unlabeled side).
2. Turn the front (wide labeled side) toward you.
3. Place the screw-terminal receptacle to the left.
4. Slide the top cover to the right.
5. Lift off the cover.
6. Locate the nulling resistor and replace it. Refer to Figures 19 and 20 to locate the nulling resistors.

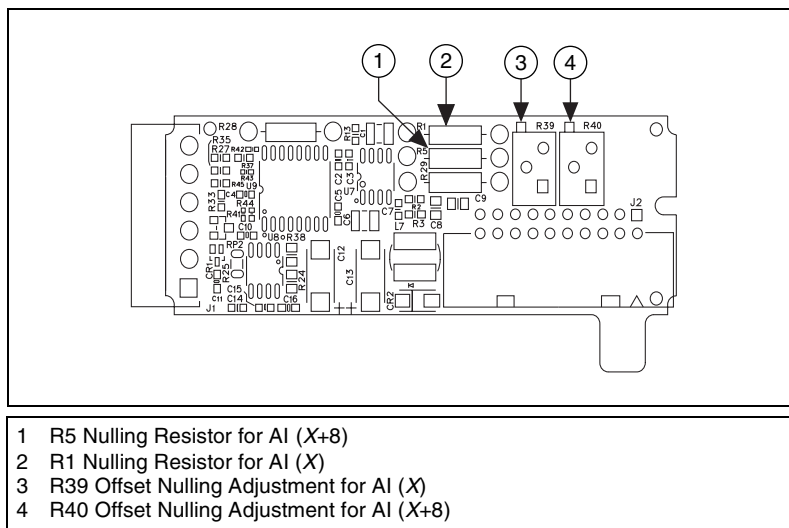


Figure 20. SCC-SG24 Parts Locator Diagram



Note Replacing a nulling resistor can give you a larger nulling range, but makes the trimming potentiometers less sensitive when you adjust them.

Replacing the Shunt Resistors

The shunting resistors (R_{SCAL}) on the SCC-SG11 have a $301\text{ k}\Omega \pm 1\%$ value. To replace a shunting resistor on the SCC-SG11 complete the following steps:

1. Remove the screw from the back (wide unlabeled side).
2. Turn the front (wide labeled side) toward you.
3. Place the screw-terminal receptacle to the left.
4. Slide the top cover to the right.

5. Lift off the cover.
6. Locate the shunting resistor and replace it. Refer to Figure 21 to locate the shunting resistor on the SCC-SG11.

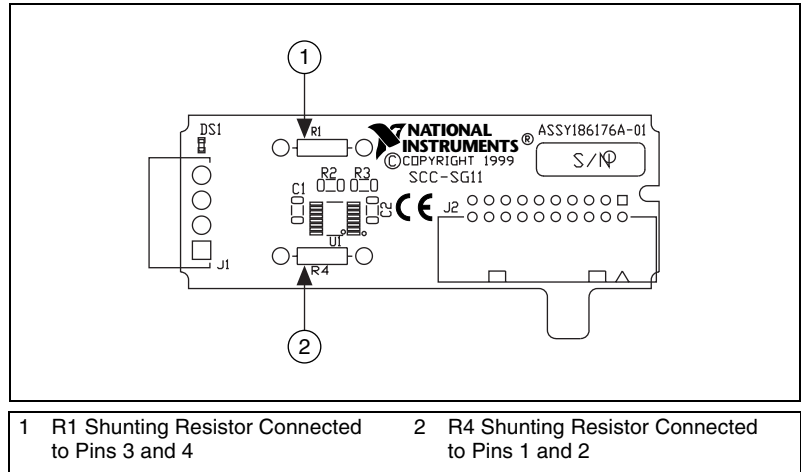


Figure 21. SCC-SG11 Parts Locator Diagram

Using the SCC-SGXX

This section provides information about how to ensure your readings are properly scaled and converted to the correct units.

Converting Voltage Measurements to Units of Strain

After you have acquired the voltage signal V_{CH} , you can scale this voltage to the appropriate strain units in software. This is done automatically for you in NI-DAQmx using a strain task or global channel. You also can scale the voltages manually in your application using the voltage to strain conversion equations provided in this document for each configuration type.

Finally, there are voltage to strain conversion functions included in LabVIEW and NI-DAQmx. In LabVIEW, the conversion function VI is in the **Data Acquisition»Signal Conditioning** subpalette. For text-based programming ADEs, the prototypes for the NI-DAQ functions, `Strain_Convert` and `Strain_Buf_Convert`, are in the header file `convert.h` for C/C++, and `convert.bas` for Visual Basic. Refer to the *NI-DAQmx Help* and the *LabVIEW Measurements Manual* for more information.

The names given to the strain-gage types in this section directly correspond to bridge selections in MAX and the LabVIEW Convert Strain Gage Reading VI.

If you have not configured the SCC-SG0X or SCC-SG24 as an accessory for the E Series DAQ device as described in the [Calibration](#) section, or if you are using the Macintosh operating system, you must divide voltage measurements by 100 before converting them to units of strain. This calculation accounts for the gain of 100 applied by each SCC-SG0X or SCC-SG24 channel.

If you have not configured the SCC-SG0X or SCC-SG24, or you are using the Macintosh operating system, you *cannot* use virtual channels within the Data Neighborhood of MAX to convert voltage measurements into units of strain. To convert properly scaled voltage measurements to units of strain, complete the following steps:

1. Read the bridge configuration channel on the E Series DAQ device $V_{ESERIES}$ [AI (X)].
2. Calculate the voltage by using the following formula:

$$V_{SG} = \frac{V_{ESERIES}}{100}$$

where

V_{SG} is the bridge configuration voltage.

$V_{ESERIES}$ is the E Series DAQ device voltage.

This calculation provides proper scaling for the amplifier in the SCC-SG0X and SCC-SG24.



Note The SCC-SG0X built-in excitation voltage is +2.5 VDC. The SCC-SG24 excitation voltage is +10 VDC.

Strain Equations

This section provides the equations used to convert voltage readings to units of strain and simulate the effect of a shunt resistor.



Note If you are not using NI software, or you are using the Macintosh operating system, you can use these equations in your software application to properly scale your measurements.

Formulas and Variable Definitions

In the equations in this document, the following formulas and variable definitions are used:

ϵ_s is the simulated strain.

GF is the Gage Factor, which should be specified by the gage manufacturer.

R_g is the nominal gage resistance, which should be specified by the gage manufacturer.

R_L is the lead resistance. If lead lengths are long, R_L can significantly impact measurement accuracy.



Note You can neglect the R_L of the wiring if shunt calibration is performed or if lead length is very short ($\sim <10$ ft), depending on the wire gauge. For example, 10 ft of 24 AWG copper wire has a lead resistance of 0.25Ω .

R_s is the shunt calibration resistor value.

U is the ratio of expected signal voltage to excitation voltage with the shunt calibration circuit engaged. Parameter U appears in the equations for simulated strain and is defined by the following equation:

$$U = \frac{-R_g}{4R_s + 2R_g}$$

V_r is the voltage ratio that is used in the voltage to strain conversion equations and is defined by the following equation:

$$V_r = \left(\frac{V_{CH}(\text{strained}) - V_{CH}(\text{unstrained})}{V_{EX}} \right)$$

Quarter-Bridge Type I

To convert voltage readings to strain units, use the following equation:

$$\text{strain } (\epsilon) = \frac{-4V_r}{GF(1 + 2V_r)} \times \left(1 + \frac{R_L}{R_g} \right)$$

To simulate the effect on strain of applying a shunt resistor across R_4 , use the following equation:

$$\epsilon_s = \frac{4U}{GF(1 + 4U)}$$

Quarter-Bridge Type II

To convert voltage readings to strain units, use the following equation:

$$\text{strain } (\epsilon) = \frac{-4V_r}{GF(1 + 2V_r)} \times \left(1 + \frac{R_L}{R_g}\right)$$

To simulate the effect on strain of applying a shunt resistor across R_4 , use the following equation:

$$\epsilon_s = \frac{4U}{GF(1 + 4U)}$$

Half-Bridge Type I

To convert voltage readings to strain units, use the following equation:

$$\text{strain } (\epsilon) = \frac{-4V_r}{GF[(1 + \nu) - 2V_r(\nu - 1)]} \times \left(1 + \frac{R_L}{R_g}\right)$$

To simulate the effect on strain of applying a shunt resistor across R_4 , use the following equation:

$$\epsilon_s = \frac{4U}{GF[(1 + \nu) - 2U(\nu - 1)]}$$

Half-Bridge Type II

To convert voltage readings to strain units, use the following equation:

$$\text{strain } (\epsilon) = \frac{-2V_r}{GF} \times \left(1 + \frac{R_L}{R_g}\right)$$

To simulate the effect on strain of applying a shunt resistor across R_4 , use the following equation:

$$\epsilon_s = \frac{2U}{GF}$$

Full-Bridge Type I

To convert voltage readings to strain units, use the following equation:

$$\text{strain } (\epsilon) = \frac{-V_r}{GF}$$

To simulate the effect on strain of applying a shunt resistor across R_4 , use the following equation:

$$\epsilon_s = \frac{U}{GF}$$

Full-Bridge Type II

To convert voltage readings to strain units, use the following equation:

$$\text{strain } (\epsilon) = \frac{-2V_r}{GF(1 + \nu)}$$

To simulate the effect on strain of applying a shunt resistor across R_4 , use the following equation:

$$\epsilon_s = \frac{2U}{GF(1 + \nu)}$$

Full-Bridge Type III

To convert voltage readings to strain units, use the following equation:

$$\text{strain } (\epsilon) = \frac{-2V_r}{GF[(\nu + 1) - \nu(\nu - 1)]}$$

To simulate the effect on strain of applying a shunt resistor across R_4 , use the following equation:

$$\epsilon_s = \frac{4U}{GF[(\nu + 1) - \nu(\nu - 1)]}$$

For more information about configuring the SCC-SG module using NI-DAQmx, refer to the *SCC Quick Start Guide*.

Specifications

These ratings are typical at 25 °C unless otherwise stated.



Note Due to functional and electrical differences between the SCC-SG0X, SCC-SG24, and SCC-SG11, module specific information is listed in separate sections followed by common information.

SCC-SG0X Strain Gage Input Modules

Strain Gage Bridge Configuration

SCC-SG01	Quarter-bridge, 120 Ω
SCC-SG02	Quarter-bridge, 350 Ω
SCC-SG03	Half-bridge
SCC-SG04	Full-bridge

Analog Input

Number of strain gage channels	2 DIFF
Input signal ranges	± 100 mV (fixed gain of 100 on each channel)
Overvoltage protection	± 28 VDC powered on and powered off
Input impedance	
Normal powered on	10 M Ω
Powered off or overload	10 k Ω
Bandwidth	1.6 kHz (single-pole RC filter)
Input noise	1 μ V _{rms}

Transfer Characteristics

Gain	100
Gain error	$\pm 0.8\%$ of reading max ¹
Gain-error temperature coefficient	± 5 ppm/ $^{\circ}$ C ²

¹ Temperature range is 23 °C \pm 5 °C.

² Temperature range is 0 to 50 °C.

Offset error	$\pm 5 \mu\text{V}$ (post calibration)
Offset-error temperature coefficient	$\pm 0.6 \mu\text{V}/^\circ\text{C}^1$
Offset-nulling adjustment range.....	$\pm 2.5 \text{ mV}$ (RTI)
Nonlinearity	10 ppm of full-scale range
Recommended warm-up time	5 min

Amplifier Characteristics

Common-mode rejection ratio (CMRR)	110 dB min
Output range.....	$\pm 10 \text{ VDC}$ max

Excitation

Number of channels	1
Level.....	+2.5 VDC, $\pm 0.4\%$
Current drive	42 mA ²
Drift.....	13 mV/ $^\circ\text{C}$

Strain Gage Bridge Completions

Quarter-bridge	One 120 Ω 1/4 W, 0.1% tolerance, 10 ppm/ $^\circ\text{C}$ <i>or</i> One 350 Ω 1/4 W, 0.1% tolerance, 10 ppm/ $^\circ\text{C}$
Half-bridge	Two 10 k Ω , $\pm 0.02\%$ ratio tolerance, ± 2 ppm/ $^\circ\text{C}$ tracking temperature coefficient of resistance resistors

Completion Accuracy

Half-bridge completion reference	1.25 VDC, $\pm 0.4\%$
--	-----------------------

¹ Temperature range is 0 to 50 $^\circ\text{C}$.

² Excitation current drive assumes two full-bridge 120 Ω configurations.

Power Requirements

Analog power	143 mW max
+15 VDC	4.75 mA max
-15 VDC.....	4.75 mA max
Digital power	210 mW max
+5 VDC	42 mA max
Operating voltage range	
+15 VDC	±10%
-15 VDC.....	±10%
+5 VDC	±5%
REF 5 VDC	±0.05%

SCC-SG24 Strain Gage Input Module

Analog Input

Number of strain gage channels	2 DIFF
Input signal ranges	±100 mV (fixed gain of 100 on each channel)
Strain gage bridge configuration	Full-bridge
Overvoltage protection	±42 VDC powered on and powered off
Inputs protected	<0,1>

Transfer Characteristics

Gain	100
Gain error.....	±0.20% of reading max
Offset error	±50 µV typ, 325 µV max before calibration ¹
Nonlinearity	200 ppm max of full-scale range
Bandwidth.....	1.6 kHz single-pole buffered RC filter

¹ By factory-default, the nulling resistors are not installed in the SCC-SG24. Refer to the [Replacing Resistors](#) section for information on installing the nulling resistors. To nullify the offset error values with trimming potentiometers located on the module, refer to the [Calibration](#) section or negate the values in your software application.

Amplifier Characteristics

Common-mode rejection ratio (CMRR)	110 dB min
Output range.....	±10 VDC max
Input impedance	
Common mode.....	5 MΩ
Differential.....	20 MΩ
Powered off or overload	>60 kΩ
Input bias current	±10 nA max
Input offset current.....	±10 nA max

Dynamic

Input noise, 0.1 to 10 Hz.....	0.4 μV _{rms} , 2.5 μV pp
Input noise.....	3 μV _{rms} , 25 μV pp

Stability

Recommended warm-up time	5 min
Gain drift	10 ppm/°C max ¹
Offset-error temperature coefficient	4 μV/°C max ¹

Null Compensation

Range	±0.29% of excitation range, ±29 mV, or 2,900 με null compensation range
-------------	---

$$\epsilon = \frac{\Delta V_{OUT}}{V_{EX} G_F} = 2,900 \mu\epsilon$$

where

V_{OUT} is the output voltage range of 58 mV.

V_{EX} is the excitation voltage of 10 VDC.

G_F is 2.0.

¹ Temperature range is 0 to 50 °C.

Excitation

Number of channels.....	1
Level	+10 VDC, $\pm 0.05\%$
Current drive.....	60 mA ¹
Short circuit protection	Yes
Temperature/drift.....	10 ppm/ $^{\circ}$ C
Noise.....	0.5 mV _{rms} typ

Power Requirements

Analog power	340 mW max
+15 VDC	11.4 mA max
-15 VDC.....	11.4 mA max
Digital power	930 mW max
+5 VDC	186 mA max
Operating voltage range	
+15 VDC	$\pm 10\%$
-15 VDC.....	$\pm 10\%$
+5 VDC	$\pm 5\%$

SCC-SG11 Shunt Calibration Module

Digital I/O

Number of channels.....	1
-------------------------	---

Shunt Calibration

Number of channels.....	2
Resistor for each channel.....	301 k Ω $\pm 1\%$, socketed
Resistor temperature coefficient	± 100 ppm/ $^{\circ}$ C
Max voltage across channel.....	± 12 VDC

¹ Excitation current drive assumes two full-bridge 350 Ω configurations.

Power Requirements

Analog power.....	0.1 mW max
+15 VDC.....	5 μ A max
-15 VDC.....	5 μ A max
Digital power.....	25 μ W
+5 VDC.....	5 μ A max
Operating voltage range	
+15 VDC.....	$\pm 10\%$
-15 VDC.....	$\pm 10\%$
+5 VDC.....	$\pm 5\%$

SCC-SGXX Strain Gage Input Modules

Maximum Working Voltage

Maximum working voltage refers to the signal voltage plus the common-mode voltage.

Channel-to-earth.....	± 12 VDC, Installation Category I
Module-to-module	± 12 VDC, Installation Category I
Channel-to-channel	± 12 VDC, Installation Category I

Physical

Dimensions.....	8.89 cm \times 2.92 cm \times 1.85 cm (3.50 in. \times 1.15 in. \times 0.73 in.)
Weight.....	37 g
I/O connectors	One 20-pin right-angle male connector, One 6-pin screw terminal
Screw terminal	28 to 16 AWG
Resistor sockets	
Connecting lead size	0.023 to 0.026 in.
Connecting lead length	0.110 to 0.175 in.
Lead spacing	0.500 in.

Environmental

Operating temperature	0 to 50 °C
Storage temperature	-20 to 70 °C
Relative humidity	10 to 90%, noncondensing
Maximum altitude.....	2,000 m
Pollution Degree (indoor use only)	2

Safety

This product is designed to meet the requirements of the following standards of safety for electrical equipment for measurement, control, and laboratory use:

- IEC 61010-1, EN 61010-1
- UL 3111-1, UL 61010B-01
- CAN/CSA C22.2 No. 1010.1



Note For UL and other safety certifications, refer to the product label, or visit ni.com/hardref.nsf, search by model number or product line, and click the appropriate link in the Certification column.

Electromagnetic Compatibility

Emissions	EN 55011 Class A at 10 m FCC Part 15A above 1 GHz
Immunity	EN 61326:1997 + A2:2001, Table 1
CE, C-Tick, and FCC Part 15 (Class A) Compliant	



Note For EMC compliance, operate this device with shielded cabling.

CE Compliance

This product meets the essential requirements of applicable European directives, as amended for CE marking, as follows:

Low-Voltage Directive (safety).....	73/23/EEC
Electromagnetic Compatibility Directive (EMC).....	89/336/EEC



Note Refer to the Declaration of Conformity (DoC) for this product for any additional regulatory compliance information. To obtain the DoC for this product, visit ni.com/hardref.nsf, search by model number or product line, and click the appropriate link in the Certification column.

SCC-SGXX Module Pin Assignments

Figure 22 shows the I/O connector pins on the bottom of the module.

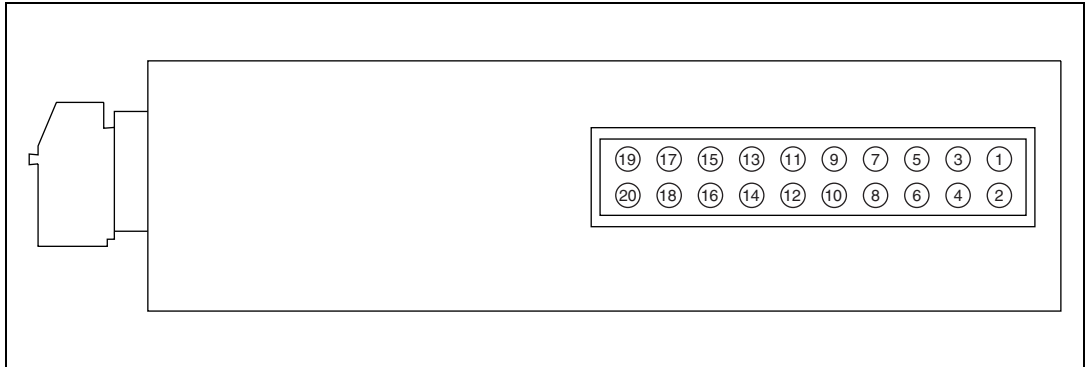


Figure 22. SCC Module Bottom View

Table 1 lists the signal connection corresponding to each pin. AI (X) and AI ($X+8$) are the analog input signal channels of the E Series DAQ device. AI GND is the analog input ground signal and is the reference for AI (X) and AI ($X+8$). A GND is the reference for the ± 15 V supplies and REF 5 V. AI GND and A GND connect to the SC-2345 at the SCC-PWR connector. GND is the reference for the +5 V supply.

Table 1. Pin Signal Connections for SCC-SGXX

Pin Number	SGXX Signal	SG11 Signal
1	DAQ device AI (X)	—
2	—	—
3	—	—
4	DAQ device AI (X+8)	—
5	—	—
6	DAQ device AI GND	—
7	—	DAQ device P0.(X)
8	—	—
9	+5 V	+5 V
10	GND	GND
11	A GND	A GND
12	REF 5 V	—
13	+15 V	+15 V
14	-15 V	-15 V
15	—	—
16	—	—
17	AI (X)- (from first stage)	—
18	AI (X+8)+ (from first stage)	—
19	AI (X)+ (from first stage)	—
20	AI (X+8)- (from first stage)	—

Theory of Operation

Strain Gage Theory

This section contains information about Wheatstone bridges and the different strain gage bridge configuration types.

Wheatstone Bridges

All strain gage configurations are based on the concept of a Wheatstone bridge. A Wheatstone bridge is a network of four resistive legs. One or more of these legs can be active sensing elements. Figure 23 shows a Wheatstone bridge circuit diagram.

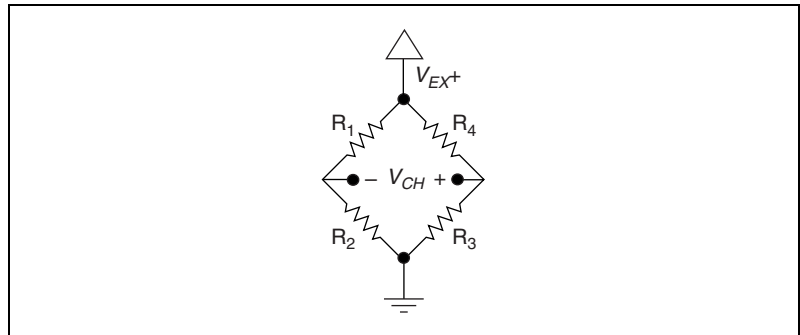


Figure 23. Basic Wheatstone Bridge Circuit Diagram

The Wheatstone bridge is the electrical equivalent of two parallel voltage divider circuits. R_1 and R_2 compose one voltage divider circuit, and R_4 and R_3 compose the second voltage divider circuit. The output of a Wheatstone bridge is measured between the middle nodes of the two voltage dividers (V_{CH}).

Physical phenomena, such as a change in strain applied to a specimen or a temperature shift, changes the resistance of the active sensing elements in the Wheatstone bridge. The Wheatstone bridge configuration is used to help measure the small variations in resistance that the sensing elements produce corresponding to a physical change in the specimen. For more information on strain gage Wheatstone bridge configurations, refer to the [Strain Gages](#) section.

You use different Wheatstone bridge configurations for different tasks. The following sections provide information that should help you determine what bridge configuration type to use, how it works, and if it is the right configuration type for your task.



Note Normally load, force, pressure, and torque sensors are arranged in full-bridge Wheatstone bridge configurations, similar to strain gage full-bridge configurations. If you are measuring load, force, pressure, or torque use the SCC-SG04/24.

Strain Gages

Strain gage configurations are arranged as Wheatstone bridges. The gage is the collection of all of the active elements of the Wheatstone bridge. There are three supported types of strain gage configurations: quarter-, half-, and full-bridge. The number of active element legs in the Wheatstone bridge determines the kind of bridge configuration. Refer to Table 2 to see how many active elements are in each configuration.

Table 2. Strain Gage Configurations

Configuration	Number of Active Elements
Quarter-bridge	1
Half-bridge	2
Full-bridge	4

Each of these three configurations is subdivided into multiple configuration types. The orientation of the active elements and the kind of strain measured determines the configuration type. NI supports seven configuration types in software. However, with custom software scaling you can use all Wheatstone bridge configuration types with any NI hardware product that supports the gage configuration type.

The supported strain gage configuration types measure axial strain, bending strain, or both. You can use similar configuration types to measure torsional strain; however, NI software scaling does not support these configuration types. It is possible to use NI products to measure torsional strain, but to properly scale these configuration types you must create a custom scale in MAX or perform scaling in your software application.

Quarter-Bridge Type I

This section provides information for the quarter-bridge strain gage configuration type I. The quarter-bridge type I measures either axial or bending strain.

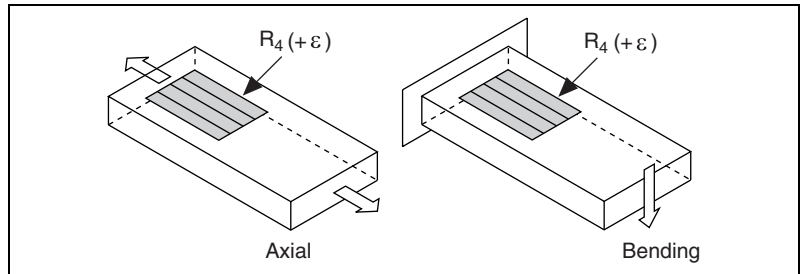


Figure 24. Quarter-Bridge Type I Measuring Axial and Bending Strain

A quarter-bridge type I has the following characteristics:

- A single active strain gage element is mounted in the principle direction of axial or bending strain.
- A passive quarter-bridge completion resistor (dummy resistor) is required in addition to half-bridge completion.
- Temperature variation in specimen decreases the accuracy of the measurements.
- Sensitivity at $1,000 \mu\epsilon$ is $\sim 0.5 mV_{OUT}/V_{EX}$ input.
- Used with the SCC-SG01/02.

Quarter-Bridge Type II

This section provides information for the quarter-bridge strain gage configuration type II. The quarter-bridge type II measures either axial or bending strain.

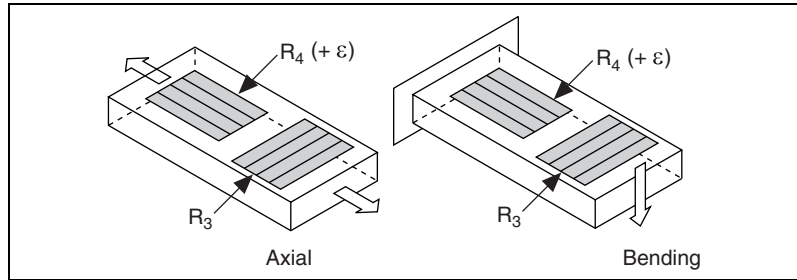


Figure 25. Quarter-Bridge Type II Measuring Axial and Bending Strain

A quarter-bridge type II has the following characteristics:

- One active strain gage element and one passive, temperature-sensing quarter-bridge element (dummy strain gage). The active element is mounted in the direction of axial or bending strain. The dummy strain gage is mounted in close thermal contact with the strain specimen, but not bonded to the specimen, and is usually mounted transversely (perpendicular) to the principle axis of strain.
- This configuration is often confused with the more commonly used half-bridge type I configuration, with the difference being that in the half-bridge type I configuration the R_3 element is active and bonded to the strain specimen to measure the effect of Poisson's ratio.
- Completion resistors provide half-bridge completion.
- Compensates for temperature.
- Sensitivity at $1,000 \mu\epsilon$ is $\sim 0.5 mV_{OUT}/V_{EX}$ input.
- Used with the SCC-SG03. Dummy strain gage R_3 provides quarter-bridge completion.

Half-Bridge I

This section provides information for the half-bridge strain gage configuration type I. The half-bridge type I measures either axial or bending strain.

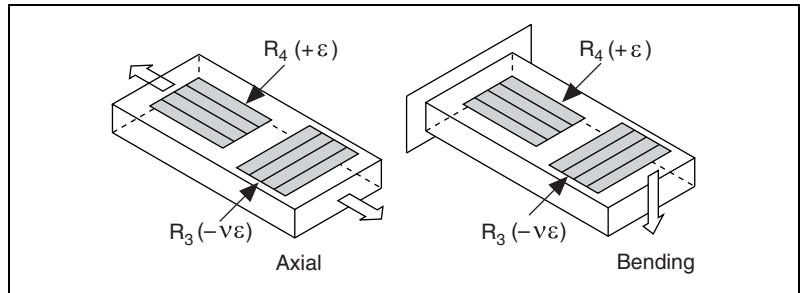


Figure 26. Half-Bridge Type I Measuring Axial and Bending Strain

A half-bridge type I has the following characteristics:

- Two active strain gage elements. One is mounted in the direction of axial strain, the other acts as a Poisson gage and is mounted transversely (perpendicular) to the principal axis of strain.
- Completion resistors provide half-bridge completion.
- Sensitive to both axial and bending strain.
- Compensates for temperature.
- Compensates for the aggregate effect on the principle strain measurement due to the Poisson's ratio of the specimen material.
- Sensitivity at $1,000 \mu\epsilon$ is $\sim 0.65 mV_{OUT}/V_{EX}$ input.
- Used with the SCC-SG03.

Half-Bridge II

This section provides information for the half-bridge strain gage configuration type II. The half-bridge type II only measures bending strain.

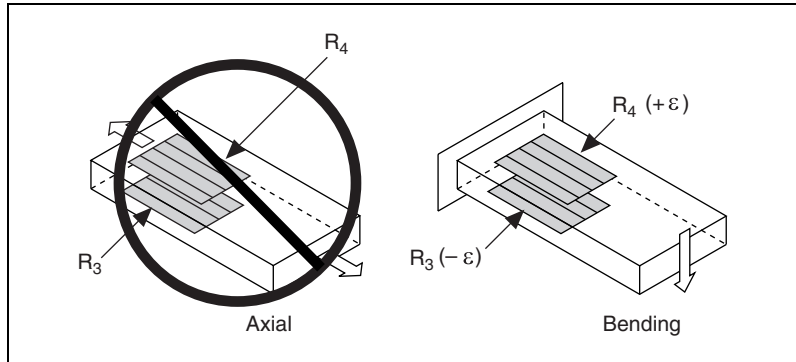


Figure 27. Half-Bridge Type II Rejecting Axial and Measuring Bending Strain

A half-bridge type II configuration has the following characteristics:

- Two active strain gage elements. One is mounted in the direction of bending strain on one side of the strain specimen (top), the other is mounted in the direction of bending strain on the opposite side (bottom).
- Completion resistors provide half-bridge completion.
- Sensitive to bending strain.
- Rejects axial strain.
- Compensates for temperature.
- Sensitivity at $1,000 \mu\epsilon$ is $\sim 1 \text{ mV}_{OUT}/V_{EX}$ input.
- Used with the SCC-SG03.

Full-Bridge Type I

This section provides information for the full-bridge strain gage configuration type I. The full-bridge type I only measures bending strain.

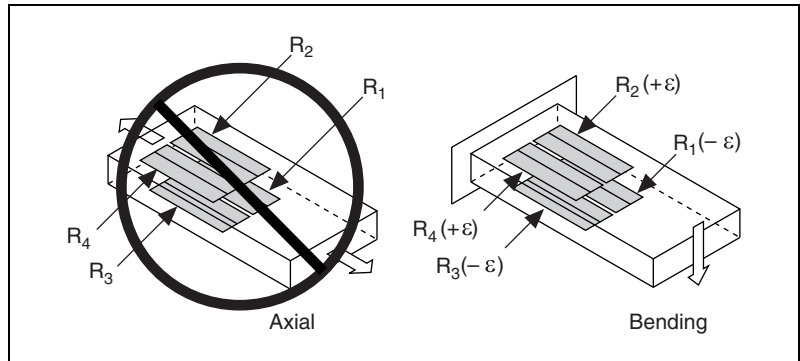


Figure 28. Full-Bridge Type I Rejecting Axial and Measuring Bending Strain

A full-bridge type I configuration has the following characteristics:

- Four active strain gage elements. Two are mounted in the direction of bending strain on one side of the strain specimen (top), the other two are mounted in the direction of bending strain on the opposite side (bottom).
- Highly sensitive to bending strain.
- Rejects axial strain.
- Compensates for temperature.
- Compensates for lead resistance.
- Sensitivity at $1,000 \mu\epsilon$ is $\sim 2.0 \text{ mV}_{OUT}/V_{EX}$ input.
- Used with the SCC-SG04/24.

Full-Bridge Type II

This section provides information for the full-bridge type II strain gage configuration. The full-bridge type II only measures bending strain.

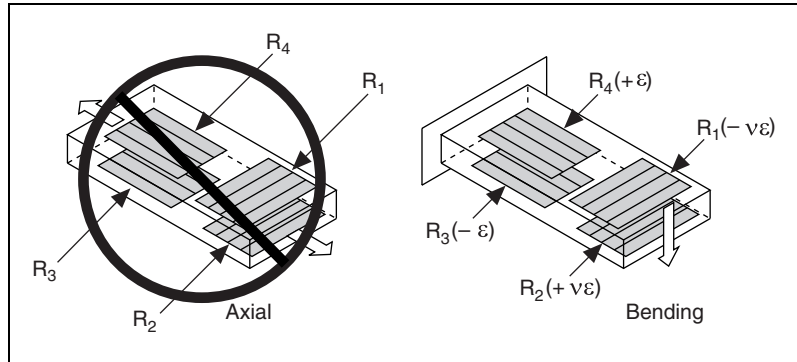


Figure 29. Full-Bridge Type II Rejecting Axial and Measuring Bending Strain

A full-bridge type II configuration has the following characteristics:

- Four active strain gage elements. Two are mounted in the direction of bending strain with one on one side of the strain specimen (top), the other on the opposite side (bottom). The other two act as Poisson gages and are mounted transversely (perpendicular) to the principal axis of strain with one on one side of the strain specimen (top), the other on the opposite side (bottom).
- Rejects axial strain.
- Compensates for temperature.
- Compensates for the aggregate effect on the principle strain measurement due to the Poisson's ratio of the specimen material.
- Compensates for lead resistance.
- Sensitivity at 1,000 $\mu\epsilon$ is $\sim 1.3 \text{ mV}_{OUT}/\text{V}_{EX}$ input.
- Used with the SCC-SG04/24.

Full-Bridge Type III

This section provides information for the full-bridge strain gage configuration type III. The full-bridge type III only measures axial strain.

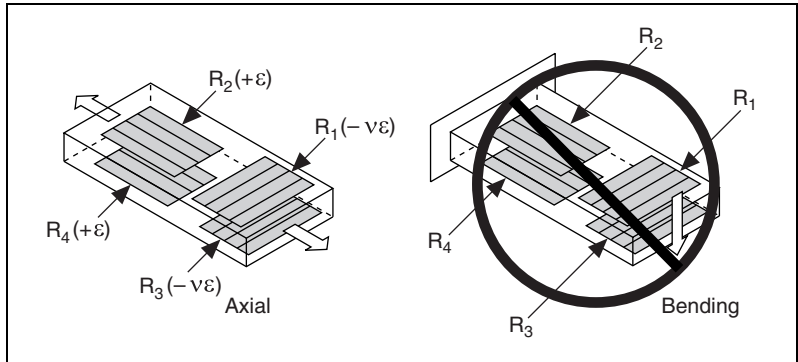


Figure 30. Full-Bridge Type III Measuring Axial and Rejecting Bending Strain

A full-bridge type III configuration has the following characteristics:

- Four active strain gage elements. Two are mounted in the direction of axial strain with one on one side of the strain specimen (top), the other on the opposite side (bottom). The other two act as Poisson gages and are mounted transversely (perpendicular) to the principal axis of strain with one on one side of the strain specimen (top), the other on the opposite side (bottom).
- Compensates for temperature.
- Rejects bending strain.
- Compensates for the aggregate effect on the principle strain measurement due to the Poisson's ratio of the specimen material.
- Compensates for lead resistance.
- Sensitivity at $1,000 \mu\epsilon$ is $\sim 1.3 mV_{OUT}/V_{EX}$ input.
- Used with the SCC-SG04/24.

Signal Conditioning Theory

The SCC-SGXX modules all contain some form of signal conditioning. This signal conditioning can greatly increase the accuracy of your measurements. The following types of signal conditioning are provided by the SCC-SGXX:

- Filtering
- Amplification
- Excitation
- Bridge completion
- Offset nulling adjustment
- Shunt calibration

Refer to the *Filtering*, *Amplification*, *Excitation*, *Bridge Completion*, *Calibration*, and *Shunt Calibration Using the SCC-SG11* sections for more information about each type of signal conditioning.

Filtering

Each channel on the SCC-SG0X and SCC-SG24 has an output lowpass filter. The filter is a single-pole, buffered RC filter with a cutoff frequency of 1.6 kHz.

Amplification

Each channel on the SCC-SG0X and SCC-SG24 has an instrumentation amplifier with a gain of 100. This amplifier improves signal measurements by boosting strain measurements, typically approximately ± 100 mV, to levels closer to the operating range of E Series DAQ devices, usually ± 10 VDC.

Excitation

The SCC-SG0X and SCC-SG24 contain a single onboard voltage source for bridge configuration excitation. On the SCC-SG0X, the onboard-regulated +2.5 VDC excitation source supplies up to 42 mA, which is enough to drive two 120 Ω full-bridge configurations. The SCC-SG24 has an onboard-regulated +10 VDC excitation source that supplies up to 60 mA, which is enough to drive two 350 Ω full-bridge configurations. Optionally, you can connect an external excitation source of up to +15 VDC across the bridge configurations. If the external excitation source is *not* ground referenced, connect its negative terminal to V_{EX-} . If the external excitation source is ground referenced, and you connect the negative terminal to V_{EX-} , a ground loop could result that can damage the SCC-SG0X and SCC-SG24. External excitation *must not* exceed +15 VDC.

Bridge Completion

The SCC-SG01/02 come with quarter-bridge completion resistors that complete the bridge-configuration. The quarter-bridge completion resistors are socketed so that you can replace them. Refer to the [Replacing Resistors](#) section for more information on replacing resistors. Only replace them with resistors that match the value of the strain gage element actively measuring strain. By default the SCC-SG01/02 quarter-bridge completion resistor value is 120 Ω and 350 Ω , respectively.

Theory of Calibration

Offset Nulling Adjustment

The SCC-SG0X and SCC-SG24 have circuitry for offset-nulling adjustment of bridge configuration circuits. The nulling circuitry uses the excitation voltage as a reference and operates with quarter-, half-, and full-bridge configurations. Each channel has its own nulling circuit with a trimming potentiometer to adjust the nulling voltage level. These potentiometers are accessible on the top of the SCC and are marked X for AI (X) offset nulling and X+8 for AI (X+8) offset nulling. The offset-nulling circuitry has the added advantage of nulling the offset voltages of the entire signal path including the bridge configuration, the SCC channel, and the E Series DAQ device analog-input channel.



Note By factory-default the nulling resistors are *not* installed in the SCC-SG24. Refer to the [Replacing Resistors](#) section for information on installing the nulling resistors.

Nulling Range Adjustment

The nulling range of the offset-nulling adjustment circuitry for the SCC-SG0X and SCC-SG24 is referred to input (RTI)¹ and given in Table 3. The nulling range figures assume a 30 k Ω nulling resistor and an excitation voltage of +2.5 VDC for the SCC-SG0X and +10 VDC for the SCC-SG24.

Table 3. SCC-SG0X and SCC-SG24 Nulling Ranges

SCC Module	Active Strain Gage Element Value	Nulling Range
SCC-SG01	120 Ω	± 2.5 mV
SCC-SG02/03/04	350 Ω	± 6.6 mV
SCC-SG24	350 Ω	± 29 mV

¹ Calculated relative to the input range of the module.



Note The nulling range of the SCC-SG0X and SCC-SG24 is dependent on the excitation voltage, active strain gage element value, and the value of the nulling resistor.

You can change the nulling range of the offset-nulling circuitry for each channel by replacing its nulling resistor with a nulling resistor of another value. The value of the nulling resistors on the SCC-SG0X and SCC-SG24 is 30 k Ω . These nulling resistors are socketed for easy replacement. Refer to the [Replacing Resistors](#) section for more information on replacing resistors.

To determine the nulling range, use the following formula while referring to Figures 19, 20, or 21:

$$V_{NULLING} = \pm \left| \frac{V_{EX}}{2} - \frac{V_{EX}R_3(R_{NULL} + R_4)}{R_{NULL}R_4 + R_3(R_{NULL} + R_4)} \right|$$

where

R_4 is the nominal active strain gage element resistance value.

R_3 is either the value of the quarter-bridge completion resistor or the nominal resistance of the second active strain gage element. Refer to Figures 19, 20, or 21 to locate the resistor in quarter-, half-, and full-bridge configurations.

R_{NULL} is the value of the nulling resistor.

V_{EX} is the excitation voltage.

For example, for a quarter-bridge configuration using the SCC-SG01

$$R_4 = 120 \Omega$$

$$R_3 = 120 \Omega$$

$$R_{NULL} = 30 \text{ k}\Omega$$

$$V_{EX} = +2.5 \text{ VDC},$$

then $V_{NULLING} = \pm 2.5 \text{ mV}$.

