

COMPREHENSIVE SERVICES

We offer competitive repair and calibration services, as well as easily accessible documentation and free downloadable resources.

SELL YOUR SURPLUS

We buy new, used, decommissioned, and surplus parts from every NI series. We work out the best solution to suit your individual needs.

 Sell For Cash  Get Credit  Receive a Trade-In Deal

OBSOLETE NI HARDWARE IN STOCK & READY TO SHIP

We stock **New**, **New Surplus**, **Refurbished**, and **Reconditioned** NI Hardware.



Bridging the gap between the manufacturer and your legacy test system.

 1-800-915-6216

 www.apexwaves.com

 sales@apexwaves.com

All trademarks, brands, and brand names are the property of their respective owners.

Request a Quote

 **CLICK HERE**

SCXI-1161

NI SCXI™-1161 Specifications

8-SPDT Relay Module

このドキュメントには、日本語ページも含まれています。

This document lists specifications for the NI SCXI-1161 general purpose relay module. All specifications are subject to change without notice. Visit ni.com/manuals for the most current specifications.

Configuration 8-channel SPDT

Input Characteristics

All input characteristics are DC, AC_{rms} , or a combination unless otherwise specified.

Maximum switching voltage..... 250 V, CAT II
(channel-to-channel and channel-to-ground)



Note Refer to the *NI Switches Getting Started Guide* for more information on measurement categories.

Maximum switching capacity
(per channel, resistive loads)¹

AC	8 A at 125 VAC
	6 A at 250 VAC
DC	5 A at 30 VDC

Maximum switching current

Per channel.....	8 A
Per module	50 A

Minimum switching capacity..... 100 mA at 100 mVDC

¹ Switching low currents with the SCXI-1161 may not be possible after switching high currents due to contact wear.



Note Switching inductive loads (for example, motors and solenoids) can produce high voltage transients in excess of the module's rated voltage. Without additional protection, these transients can interfere with module operation and impact relay life. For more information about transient suppression, visit ni.com/info and enter the Info Code induct.

DC path resistance
 Initial.....<175 mΩ
 End of life.....>1 Ω

Path resistance is a combination of relay contact resistance and trace resistance. Contact resistance typically remains low for the life of a relay. At the end of relay life, the contact resistance rises rapidly above 1.0 Ω.

Dynamic Characteristics

Relay operate time15 ms
 Expected relay life
 Mechanical10,000,000 cycles
 Electrical.....100,000 cycles
 (maximum resistive load)

Physical Characteristics

Relay typeElectromechanical, non-latching
 I/O connectors.....24 screw terminals
 Contact material.....Silver alloy
 Dimensions (W × H × D).....3.0 cm × 17.3 cm × 19.6 cm
 (1.2 in. × 6.7 in. × 7.6 in.)
 Weight775 g
 (1 lb 12 oz)

Environment

Operating temperature0 °C to 50 °C
 Storage temperature–20 °C to 70 °C
 Relative humidity5% to 85% non condensing
 Pollution Degree2
 Approved at altitudes up to 2,000 m

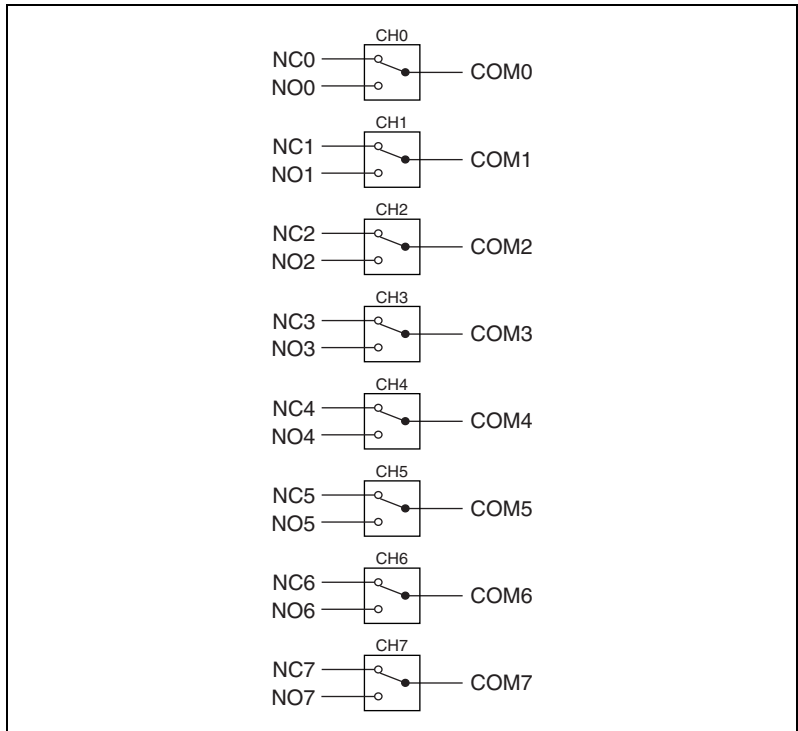


Figure 1. NI SCXI-1161 8-SPDT Power-On State

Compliance and Certifications

Safety

This product is designed to meet the requirements of the following standards of safety for electrical equipment for measurement, control, and laboratory use:

- IEC 61010-1, EN-61010-1
- UL 61010-1, CSA 61010-1



Note For UL and other safety certifications, refer to the product label or visit ni.com/certification, search by model number or product line, and click the appropriate link in the Certification column.

Electromagnetic Compatibility

This product is designed to meet the requirements of the following standards of EMC for electrical equipment for measurement, control, and laboratory use:

- EN 61326 EMC requirements; Minimum Immunity

- EN 55011 Emissions; Group 1, Class A
- CE, C-Tick, ICES, and FCC Part 15 Emissions; Class A



Note For EMC compliance, operate this device with shielded cables.

CE Compliance

This product meets the essential requirements of applicable European Directives, as amended for CE marking, as follows:

- 2006/95/EC; Low-Voltage Directive (safety)
- 2004/108/EC; Electromagnetic Compatibility Directive (EMC)



Note Refer to the Declaration of Conformity (DoC) for this product for any additional regulatory compliance information. To obtain the DoC for this product, visit ni.com/certification, search by model number or product line, and click the appropriate link in the Certification column.

Environmental Management

National Instruments is committed to designing and manufacturing products in an environmentally responsible manner. NI recognizes that eliminating certain hazardous substances from our products is beneficial not only to the environment but also to NI customers.

For additional environmental information, refer to the *NI and the Environment* Web page at ni.com/environment. This page contains the environmental regulations and directives with which NI complies, as well as other environmental information not included in this document.

Waste Electrical and Electronic Equipment (WEEE)



EU Customers At the end of their life cycle, all products *must* be sent to a WEEE recycling center. For more information about WEEE recycling centers and National Instruments WEEE initiatives, visit ni.com/environment/weee.htm.

电子信息产品污染控制管理办法（中国 RoHS）



中国客户 National Instruments 符合中国电子信息产品中限制使用某些有害物质指令 (RoHS)。关于 National Instruments 中国 RoHS 合规性信息, 请登录 ni.com/environment/rohs_china。(For information about China RoHS compliance, go to ni.com/environment/rohs_china.)

National Instruments, NI, ni.com, and LabVIEW are trademarks of National Instruments Corporation. Refer to the *Terms of Use* section on ni.com/legal for more information about National Instruments trademarks. Other product and company names mentioned herein are trademarks or trade names of their respective companies. For patents covering National Instruments products, refer to the appropriate location: **Help»Patents** in your software, the `patents.txt` file on your CD, or ni.com/patents.