

COMPREHENSIVE SERVICES

We offer competitive repair and calibration services, as well as easily accessible documentation and free downloadable resources.

SELL YOUR SURPLUS

We buy new, used, decommissioned, and surplus parts from every NI series. We work out the best solution to suit your individual needs.

 Sell For Cash  Get Credit  Receive a Trade-In Deal

OBSOLETE NI HARDWARE IN STOCK & READY TO SHIP

We stock **New**, **New Surplus**, **Refurbished**, and **Reconditioned** NI Hardware.



Bridging the gap between the manufacturer and your legacy test system.

 1-800-915-6216

 www.apexwaves.com

 sales@apexwaves.com

All trademarks, brands, and brand names are the property of their respective owners.

Request a Quote

 **CLICK HERE**

PXI-5600

GETTING STARTED GUIDE

NI PXI-5660

This guide explains how to install, configure, test, and begin using an NI PXI-5660 radio frequency (RF) vector signal analyzer, and introduces programming methods and examples. Refer to the [1. Verifying System Requirements](#) section for information about additional documents.

Contents

Conventions	1
1. Verifying System Requirements	2
2. Unpacking	2
3. Verifying Kit Contents	3
Other Required Items	3
4. Installing the Software	5
5. Installing the NI 5660	6
Installing the NI 5600 RF Downconverter Module	6
Installing the NI 5620 IF Digitizer Module	7
Installing PXI Modules	7
Uninstalling PXI Modules	8
6. Interconnecting the NI 5660 Modules	8
Cooling Considerations	10
7. Configuring and Programming the NI 5660	10
Rename Both Modules	11
Acquiring Data Interactively	11
Configuring Hardware Programmatically	14
Introduction to the Spectral Measurements Toolkit	17
Appendix A: Hardware Front Panel Connectors and Indicators	17
NI 5600 RF Downconverter Module	18
NI 5620 IF Digitizer Module	20
Appendix B: Troubleshooting	21
Installation	21
Configuration	23
Measurements	24
Technical Support and Professional Services	24

Conventions

The following conventions are used in this manual:

- » The » symbol leads you through nested menu items and dialog box options to a final action. The sequence **File»Page Setup»Options** directs you to pull down the **File** menu, select the **Page Setup** item, and select **Options** from the last dialog box.



This icon denotes a tip, which alerts you to advisory information.



This icon denotes a note, which alerts you to important information.



This icon denotes a caution, which advises you of precautions to take to avoid injury, data loss, or a system crash. When this symbol is marked on a product, refer to the *Read Me First: Safety and Electromagnetic Compatibility* for information about precautions to take.



When symbol is marked on a product, it denotes a warning advising you to take precautions to avoid electrical shock.



When symbol is marked on a product, it denotes a component that may be hot. Touching this component may result in bodily injury.

bold

Bold text denotes items that you must select or click in the software, such as menu items and dialog box options. Bold text also denotes parameter names.

italic

Italic text denotes variables, emphasis, a cross-reference, or an introduction to a key concept. Italic text also denotes text that is a placeholder for a word or value that you must supply.

monospace

Text in this font denotes text or characters that you should enter from the keyboard, sections of code, programming examples, and syntax examples. This font is also used for the proper names of disk drives, paths, directories, programs, subprograms, subroutines, device names, functions, operations, variables, filenames, and extensions.

monospace

Italic text in this font denotes text that is a placeholder for a word or value that you must supply.

italic

Platform

Text in this font denotes a specific platform and indicates that the text following it applies only to that platform.

1. Verifying System Requirements

Your system must meet certain requirements to use NI RF vector signal analyzers. For more information about minimum system, recommended system, and supported application development environments (ADEs), refer to the *NI RF Signal Analyzers Readme*, which is available with the NI-RFSA software.



Note After you install NI-RFSA, you can access the *NI RF Signal Analyzers Readme* at **Start» All Programs»National Instruments»NI-RFSA»Documentation** or online at ni.com/downloads.

2. Unpacking

RF vector signal analyzer hardware modules ship in antistatic packages to prevent damage from electrostatic discharge (ESD). Because ESD can damage several components of the hardware modules, store all modules in the antistatic envelopes when not in use.



Caution *Never* touch exposed connector pins.

To avoid damage when handling the RF vector signal analyzer hardware modules, take the following precautions:

- Ground yourself using a grounding strap or by touching a grounded object.
- Touch the antistatic package to a metal part of your computer chassis before removing the hardware module from the package.

Remove each hardware module from the package and inspect it for loose components or any signs of damage. Notify NI if any hardware module appears damaged in any way. Do *not* install a damaged module into your system.

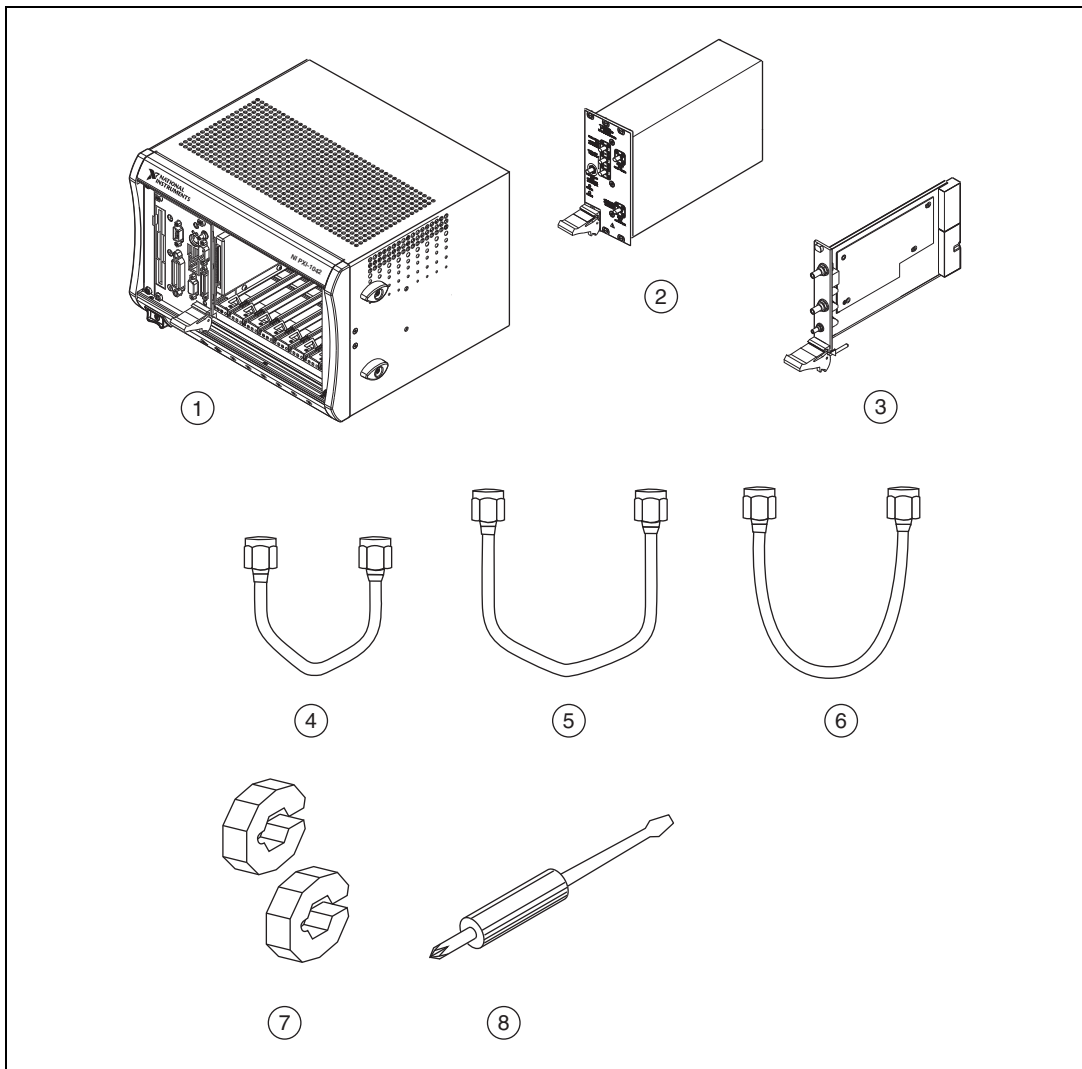
3. Verifying Kit Contents

You need the following items to set up and use the RF vector signal analyzer. Listboxes represent physical kit items.

- Driver software disc—Installs the NI-RFSA and ni5660 instrument driver software and electronic documentation, including the following documents:
 - *NI RF Signal Analyzers Readme*—This HTML document includes information about the minimal and recommended system requirements, new features, installed file locations, and uninstalling/modifying the NI-RFSA instrument driver software.
 - *NI PXI-5660 Help*—Use this online help file, located at **Start»All Programs»National Instruments»NI-RFSA»Documentation**, to learn how to operate NI 5660 RF vector signal analyzers.
 - *NI High-Speed Digitizers Help*—Use this online help document, located at **Start»All Programs»National Instruments»NI-SCOPE»Documentation**, to learn more information about the IF digitizer module included as part of your RF vector signal analyzer.
 - *NI-Tuner Help*—Use this online help document, located in the **Program Files»National Instruments»<LabVIEW>»Help** directory, for full access to the functionality of the instrument drivers for the RF downconverter and IF digitizer modules.
- NI Spectral Measurement Toolkit CD—Installs the Spectral Measurements Toolkit (SMT) software components, which includes SMT VIs and functions, examples, and documentation.
- 1/8 in. combination Phillips/flathead screwdriver
- The following printed documentation:
 - *NI 5660 Getting Started Guide* (this document)
 - Specifications documents for your device
 - *Read Me First: Safety and Electromagnetic Compatibility*
 - *Maintain Forced-Air Cooling Note to Users*
- Two hardware modules:
 - NI 5600 RF downconverter module
 - NI 5620 IF digitizer module
- Short cables for interconnecting modules
 - One short, semi-rigid SMA-to-SMA coaxial cable
 - One long, semi-rigid SMA-to-SMA coaxial cable
 - One semi-flexible SMA-to-SMA coaxial cable
- Plastic collars (cable wrenches) for gripping the coaxial cable hex connectors

Other Required Items

- One of the following configurations:
 - **(PXI system)** A PXI chassis, PXI embedded or MXI controller system that meets the system requirements specified in this guide, and chassis documentation.
 - **(PXI Express system)** A PXI Express chassis, PXI Express embedded or MXI Express controller, and chassis documentation.
- A 1 N · m standard SMA torque wrench (part number 187106-01), for use with included SMA driver bit



- | | |
|---|--|
| 1 NI PXI-1042 or NI PXI-1045 Chassis (not included) | 5 Long, Semi-Rigid SMA-to-SMA Cable, 763481-01 |
| 2 NI 5600 RF Downconverter Module | 6 Semi-Flexible SMA-to-SMA Cable, 763488-01 |
| 3 NI 5620 IF Digitizer Module | 7 Cable Wrenches (2), 746016-01 |
| 4 Short, Semi-Rigid SMA-to-SMA Cable, 763480-01 | 8 Screwdriver, 772006-01 |

Figure 1. NI 5660 Kit Contents and Replacement Part Numbers

4. Installing the Software

Complete the following steps to install the components of the instrument driver software. You *must* install all of the included software before installing any RF vector signal analyzer hardware.

1. Install an application development environment (ADE) such as LabVIEW, LabWindows™/CVI™, or a third-party program according to its instructions. Any development environment you intend to use must be installed before you install the driver software and the Spectral Measurements Toolkit.

2. Insert the NI-RFSA disc into the appropriate drive and follow the instructions in the installation window. You can choose to install **NI-RFSA 2.1** (NI PXI-5661 and NI PXIe-5663) and/or **NI PXI-5660 Support**.
(Windows Vista) Users may see access and security messages during installation. Accept the prompts to complete the installation.



Note If the installation window does not appear, navigate to the appropriate disk drive, and double-click `setup.exe`.

3. If you are using a system running the LabVIEW Real-Time Module, download NI-RFSA to the target using Measurement & Automation Explorer (MAX). Refer to the *MAX Remote Systems Help* by selecting **Help»Help Topics»Remote Systems** in MAX for more information about using MAX remote systems.
4. When installation completes, remove the driver software disc.



Note You *must* install the driver software before installing the Spectral Measurements Toolkit.

5. Insert the Spectral Measurements Toolkit CD.
6. Install the Spectral Measurements Toolkit for the ADE you intend to use. Follow instructions in the installation window.
7. When the installation completes, remove the Spectral Measurements Toolkit CD.



Note For full functionality, you *must* install the Spectral Measurements Toolkit packaged with the RF vector signal analyzer. The Spectral Measurements Toolkit extends the capability of the RF vector signal analyzer to include frequency- and modulation-domain measurements and analysis of analog-modulated IF signals.

8. Install any additional software that you intend to use with the RF vector signal analyzer after installing the driver software and the Spectral Measurements Toolkit.



Note If toolkits or other software that you intend to use with the RF device were installed before you installed the driver software, repeat or repair those installations after installing the driver software and the Spectral Measurements Toolkit.



Note The Spectral Measurements Toolkit includes examples for analog modulation and demodulation. The Modulation Toolkit includes digital modulation and demodulation measurement functions. Both toolkits may be included in your RF vector signal analyzer shipping kit. You can also purchase and install the NI Modulation Toolkit at ni.com. Install NI PXI-5660 Support and the Spectral Measurements Toolkit before installing the Modulation Toolkit.

5. Installing the NI 5660

The NI 5660 modules are available in the PXI form factor. Installation of the NI 5660 RF vector signal analyzer hardware modules requires four vacant PXI (or hybrid) slots—three slots for the NI 5600 RF downconverter module and one slot for the NI 5620 IF digitizer module. The NI 5620 must be installed in the slot *immediately* to the right of the NI 5600 to allow for the use of the included coaxial cables.



Note You must install NI PXI-5660 Support before installing the hardware.

Installing the NI 5600 RF Downconverter Module

To install the NI 5600 module, complete steps 1 through 10 in the *Installing PXI Modules* section.



Note The NI 5600 onboard frequency reference can drive the PXI backplane clock *only* if the RF downconverter module is installed in PXI Slot 2. When the NI 5600 is installed in PXI Slot 2, you can configure it to lock the PXI backplane clock to the highly accurate and stable NI 5600 onboard

oven-controlled crystal oscillator (OCXO). You can also lock the NI 5600 to an external frequency reference clock signal and drive this reference to the backplane. To use an external frequency reference, you must connect this signal to the **FREQ REF IN** connector on the NI 5600 module front panel.

Installing the NI 5620 IF Digitizer Module

To install the NI 5620 module, complete steps 2 through 11 in the *Installing PXI Modules* section.

Installing PXI Modules

NI PXI modules are sensitive instruments that should be handled carefully. Do not expose the module to temperatures or humidity beyond the rated maximums.



Note For information about the rated maximums, refer to your device specifications document, located at **Start»All Programs»National Instruments»NI-RFSA»Documentation»Specifications**.

Keep the module free of dust by cleaning only with compressed air. Do *not* clean the device with any solvents or liquids.

To prevent damage to the device caused by ESD or contamination, handle the device using the edges or the metal bracket. For more information about the radio-frequency interference characteristics of your hardware, refer to the *Read Me First: Safety and Electromagnetic Compatibility* document.



Caution You *must* power off and unplug the chassis before installing the device.



You can install PXI modules in any PXI slot marked with a peripheral slot compatibility glyph (a circle containing the slot number).



H You also can install PXI modules in any PXI hybrid slot marked with a peripheral slot compatibility glyph (the letter “H” and a solid circle containing the slot number).

Install a PXI module by completing the following steps:

1. Power off and unplug your PXI chassis.
2. If the chassis has multiple fan speed settings, ensure that the fans are at the highest setting. Do not set the fan speed to low or turn the fan off.
3. Position the chassis so that you allow ample space between the chassis fan intake and exhaust vents. Blockage by walls or obstructions affects the air flow needed for cooling. Refer to the chassis documentation for more information about cooling.
4. Make sure the ejector handle is in the unlatched (downward) position.
5. Remove the rubber screw covers from the captive screws in the module front panel.
6. Holding the module by the ejector handle, slide it into an available PXI (or hybrid) slot, as shown in Figure 2. Ensure that the base card (the card on the left when looking at the front of the module) engages with card guides in the chassis.
7. Slide the module completely into the chassis and latch by pulling up on the ejector handle.
8. Tighten the screws in the module front panel. Performance may suffer if the screws are not tightened properly.
9. Verify that the PXI chassis fans are operable and free of dust and other contaminants that may restrict airflow.

10. Install all chassis covers and filler panels after installing the RF vector signal analyzer hardware modules. Missing filler panels disrupt necessary air circulation in the chassis.



Note NI recommends installing slot blockers in adjacent vacant PXI slots to maximize cooling air flow to the RF vector signal analyzer hardware modules. The PXI Chassis Slot Blocker Kit (part number 778678-01) is available for purchase at ni.com.

11. Plug in and power on the PXI chassis.

Figure 2 shows the correct installation of a PXI module into a compatible chassis slot.

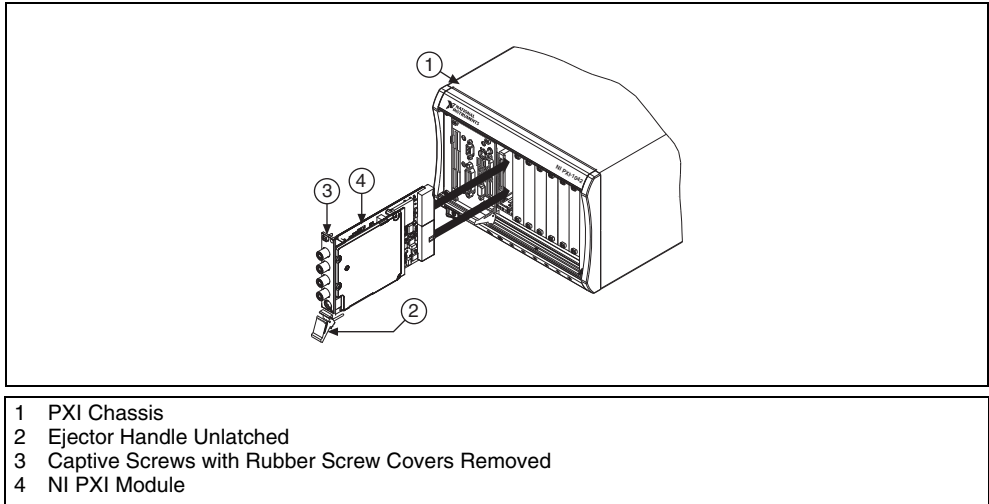


Figure 2. PXI Module Installation

Uninstalling PXI Modules

Power off the chassis prior to removing PXI modules. When removing PXI modules from the chassis, ensure that you are grounded with a grounding strap or are touching a grounded metal surface. To avoid ESD, do *not* touch the exposed connector pins or any exposed circuitry on the device. When not in use, PXI devices should be stored in the original antistatic envelope to avoid damage.



Hot Surface During operation, the metal surfaces of PXI devices may become hot. Be careful when removing the device from the chassis or when moving it to a different peripheral slot. When removing the device, hold it by *only* the ejector handle and front panel.

6. Interconnecting the NI 5660 Modules

The NI 5600 and NI 5620 interconnect through the module front panels. Complete steps 1 through 6 to interconnect the RF vector signal analyzer hardware module front panel connectors, as shown in Figure 3.

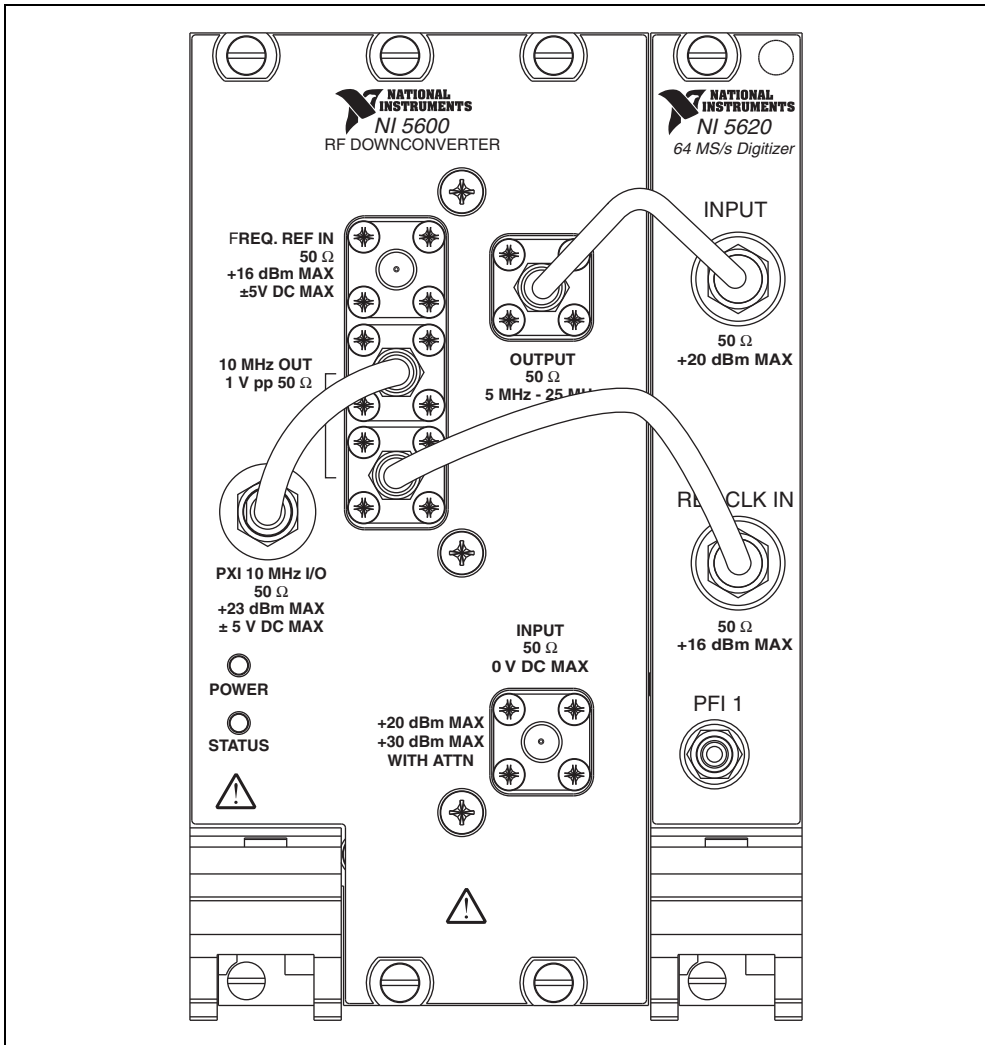


Figure 3. Interconnection of Devices with Included NI 5660 Cables



Note The published specifications document for your NI 5660 RF vector signal analyzer assumes use of the included cables. Substituting different cables may affect performance.

1. Using the short semi-rigid coaxial cable, connect the OUTPUT connector on the NI 5600 RF downconverter front panel to the INPUT connector on the NI 5620 IF digitizer front panel.



Note The semi-rigid cables must be installed so the bends point upwards, as shown in Figure 3.

2. Using the long semi-rigid coaxial cable, connect the lower of the two 10 MHz OUT connectors on the NI 5600 front panel to the REF CLK IN connector on the NI 5620 front panel.



Note The NI 5600 onboard frequency reference can drive the PXI backplane clock *only* if the RF downconverter module is installed in PXI Slot 2. When the NI 5600 is installed in PXI Slot 2, you can configure it to lock the PXI backplane clock to the highly accurate and stable NI 5600 onboard oven-controlled crystal oscillator (OCXO). You can also lock the NI 5600 to an external frequency

reference clock signal and drive this reference to the backplane. To use an external frequency reference, you must connect this signal to the **FREQ REF IN** connector on the NI 5600 module front panel.

3. (Optional) Using the semi-flexible coaxial cable, connect the bidirectional PXI 10 MHz I/O connector on the NI 5600 front panel to the upper 10 MHz OUT connector on the NI 5600 front panel.



Caution Incorrect torque at SMA connections can degrade signal fidelity, phase-locked loop (PLL) performance, and insertion loss. Use an SMA torque wrench to ensure all SMA connections are properly torqued to 1 N · m.

4. Carefully tighten all SMA connectors to 1 N · m using an SMA torque wrench (not included), as shown in Figure 3. Tighten only until the wrench clicks.
5. Plug in and power on your PXI chassis and controller system.
6. Verify that the **POWER LED** on the NI 5600 RF downconverter module is illuminated. If the LED is not illuminated, refer to [Appendix B: Troubleshooting](#).

You have completed installation of your NI 5660 RF vector signal analyzer.

Cooling Considerations

When installing a PXI module, follow the guidelines in the *Maintain Forced-Air Cooling Note to Users* document included in the kit to ensure that the device is cooled effectively.



Caution Inadequate air circulation could cause the temperature inside the chassis to rise above the optimal operating temperature for the RF vector signal analyzer hardware modules, potentially causing thermal shutdown, shorter life spans, or improper performance.

7. Configuring and Programming the NI 5660

Use Measurement & Automation Explorer (MAX) to configure your National Instruments hardware. MAX informs other programs about which devices reside in the system and how they are configured. MAX is automatically installed with the driver software.

To use MAX to configure, self-test, and functionally test the NI 5660 RF vector signal analyzer hardware modules, complete the following steps:



1. Launch MAX by navigating to **Start»All Programs»National Instruments»Measurement & Automation** or by clicking the MAX desktop icon.
2. In the Configuration pane, double-click **Devices and Interfaces** to see the list of installed devices.
3. Expand the **Traditional NI-DAQ (Legacy) Devices** folder. You will see a list of installed devices that includes the NI 5600 and NI 5620 modules (your default device names may vary).



Note If you do not see the NI 5600 and NI 5620 modules listed, refer to [Appendix B: Troubleshooting](#).

4. Note the device numbers assigned to your RF vector signal analyzer hardware modules by MAX. These numbers are used when programming the RF vector signal analyzer.

Complete steps 5 through 11 to self-test both modules.

5. Right-click **NI PXI-5600** and select **Properties**.
6. The Configuring Device dialog box appears. Click **Test Resources** to self-test the NI 5600 RF downconverter hardware module. The MAX self-test performs a basic verification of hardware resources.

7. The NI-DAQ Configuration Utility dialog box appears to confirm your self-test. Click **OK** to return to the Configuring Device dialog box.



Note If the NI 5600 RF downconverter module fails the self-test, refer to [Appendix B: Troubleshooting](#).

8. In the NI 5600 Configuring Devices dialog box, click **OK** to return to MAX.
9. Right-click **NI PXI-5620** and select **Properties**.
10. The Configuring Device dialog box appears. Click **Test Resources** to self-test the NI 5620 IF digitizer hardware module.
11. The NI-DAQ Configuration Utility dialog box appears. Click **OK** to return to the Configuring Device dialog box and continue with the NI 5620 test panel.



Note If the NI 5620 IF digitizer module fails the self-test, refer to [Appendix B: Troubleshooting](#).

You have completed setup, configuration, and testing of the NI 5660 RF vector signal analyzer.

Rename Both Modules

MAX allows you to rename both NI 5660 hardware modules. The MAX name is used in software to operate the NI 5660 hardware resources. You are not required to change the module names from the default names assigned by MAX, but doing so can make your program more readable. If you do not wish to rename the modules, proceed to the *Acquiring Data Interactively* section.

To rename both NI 5660 hardware modules, complete steps 1 through 7.

1. Right-click **NI PXI-5600** and select **Rename** from the shortcut menu.
2. Enter the new name for the NI 5600 module.



Note The device name must consist only of alphanumeric and underscore characters.

3. Click **OK**.
4. Right-click **NI PXI-5620** and select **Rename** from the shortcut menu.
5. Enter the new name for the NI 5620 module.
6. Click **OK**.
7. Verify that the new names for both modules are displayed before proceeding to the next section.

Acquiring Data Interactively

To interactively acquire data and perform measurements with the RF vector signal analyzer, use the included RFSA Demo Panel. The RFSA Demo Panel is accessible from within MAX at **Tools»Soft Front Panels»NI5660 - RFSA Demo Panel** and from the Start menu at **Start»All Programs»National Instruments»NI-RFSA»5660 Demo Panel**.



Tip If an external signal source is not available, the signal from the 10 MHz OUT connector on the NI 5600 RF downconverter module front panel can be used as a source to verify proper RF vector signal analyzer installation and as a live signal for the RFSA Demo Panel. To use this signal, connect the 10 MHz OUT connector of the NI 5600 module to the INPUT connector on the NI 5600 RF downconverter module front panel.

The RFSA Demo Panel (shown in Figure 4) provides a convenient software interface with which you can operate the RF vector signal analyzer hardware to perform common frequency-domain and I/Q measurements.



Tip Press <Ctrl-H> to view context-sensitive help for all RFSA Demo Panel controls and indicators.

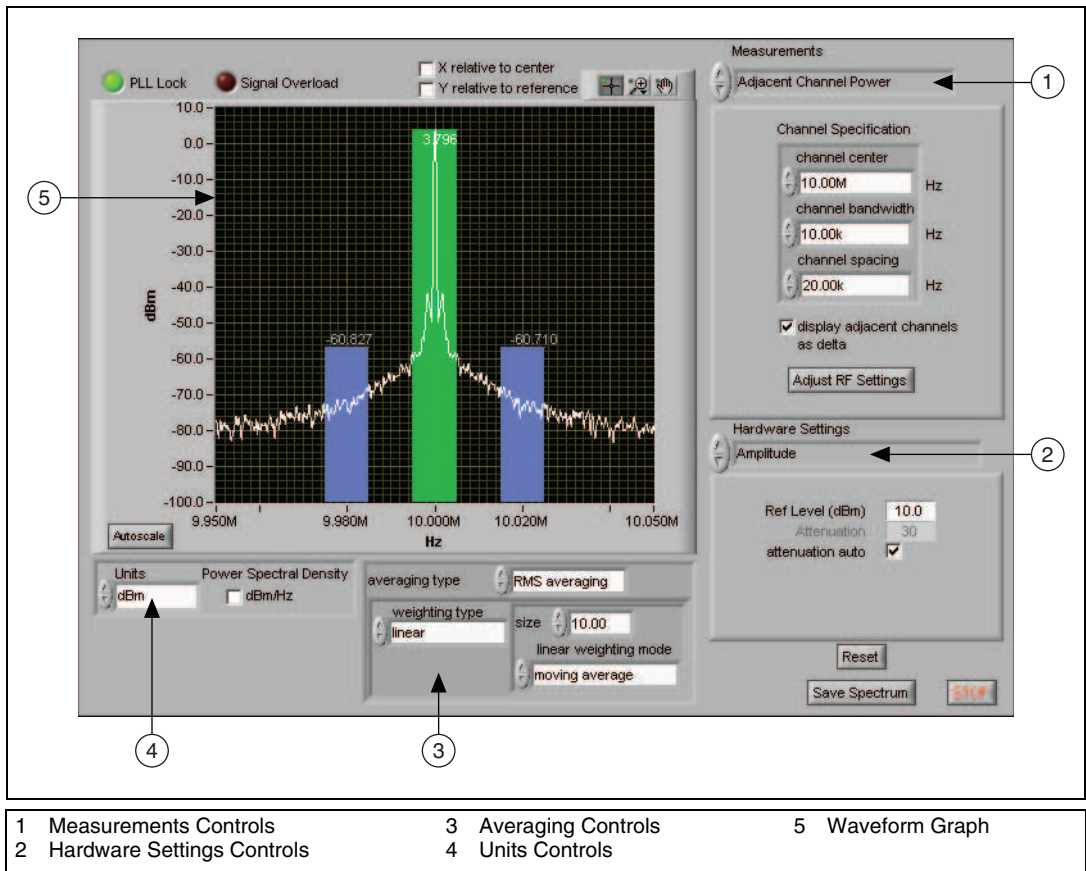


Figure 4. RFSA Demo Panel Performing ACP Measurement

To use the RFSA Demo Panel, configure the following controls:

1. Verify that the device numbers in the RFSADeviceNumbers dialog box reflect those assigned to the RF vector signal analyzer hardware modules in MAX, and click **OK**.
2. Specify hardware parameters for your measurement, including the following parameters, in **Hardware Settings**:
 - RF Spectrum Settings
 - Amplitude
 - Timing
 - Advanced Spectral Parameters
 - Devices

3. Specify the measurement you want to perform in **Measurements**. Choose one of the following options:
 - Peak Search
 - Delta Peak
 - Power in Band
 - Adjacent Channel Power (ACP)
 - Occupied Bandwidth
 - IQ Data
4. Specify averaging applied to returned data in **Averaging Type**. Figure 5 illustrates the hierarchy of options for spectrum averaging.

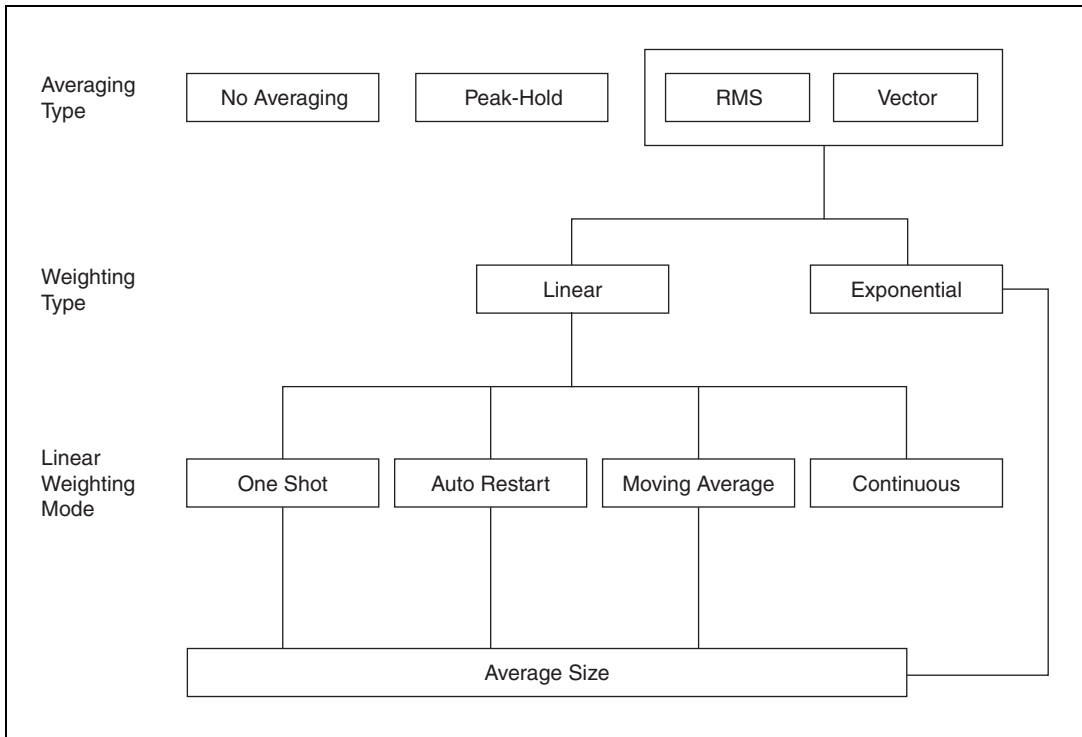


Figure 5. RFSAs Demo Panel Spectrum Averaging Options

5. Specify units in which to return measurement results in **Units**. Several commonly used units are available.

Configuring Hardware Programmatically

Two paradigms are available to programmatically configure the NI 5660 RF vector signal analyzer hardware for data acquisition, as shown in Table 1.

Table 1. Programmatic Configuration Paradigms for RF Vector Signal Analyzer Hardware

Programming Paradigm	Benefits	ADE Support
ni5660 VIs	Ease of use from a higher-level application programming interface: both RF vector signal analyzer hardware modules are controlled as a single instrument Addresses common frequency-domain and I/Q measurement applications	Refer to the <i>NI RF Signal Analyzers Readme</i>
Spectral Measurements Toolkit; NI-SCOPE and NI-TUNER drivers	Maximum flexibility for unique applications from a lower-level application programming interface Provides full access to functionality of the instrument drivers for the RF downconverter and IF digitizer modules	Refer to the <i>NI RF Signal Analyzers Readme</i>



Note The NI Spectral Measurements Toolkit is used to perform measurements on the acquired data regardless of programming paradigm.

Programming the RF Vector Signal Analyzer in LabVIEW

To programmatically configure the RF vector signal analyzer hardware for data acquisition in LabVIEW, use the ni5660 VIs. These VIs control both the NI 5600 RF downconverter module and the NI 5620 IF digitizer module as a single instrument for frequency-domain and I/Q data acquisitions. The ni5660 VIs are located on the LabVIEW function palette at **Instrument I/O»Instrument Drivers»ni5660**.

ni5660 LabVIEW VIs Programming Flow

The ni5660 VIs use two programming flows: a frequency-domain acquisition programming flow and an I/Q acquisition programming flow. Every application built using the ni5660 VIs must call the ni5660 Initialize VI and the ni5660 Close VI.

Frequency-Domain Measurements Programming Flow

Use the programming flow shown in Figure 6 to acquire data and perform frequency-domain measurements using the ni5660 VIs. Use the ni5660 Configure for Spectrum VI and the ni5660 Read Averaged Power Spectrum VI when Acquiring a Frequency Spectrum.

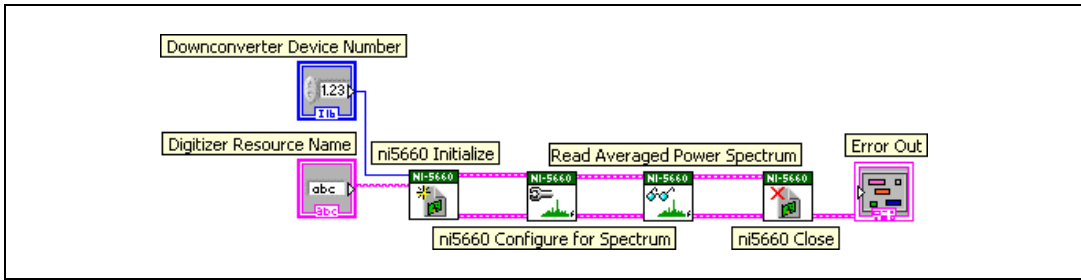


Figure 6. Acquiring a Frequency Spectrum

I/Q Acquisition Programming Flow

Use the programming flow shown in Figure 7 and Figure 8 to acquire I/Q data in single-shot or continuous modes, respectively. Use the ni5660 Configure for IQ Settings VI and the ni5660 Read IQ VI when Acquiring Single-Shot I/Q Data. Use the ni5660 Configure for IQ Settings VI, the ni5660 Initiate IQ VI, and the ni5660 Fetch IQ VI when Acquiring Continuous I/Q Data.

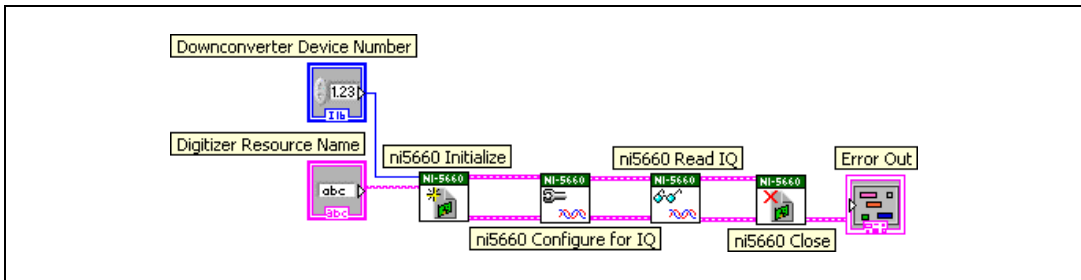


Figure 7. Acquiring Single-Shot I/Q Data

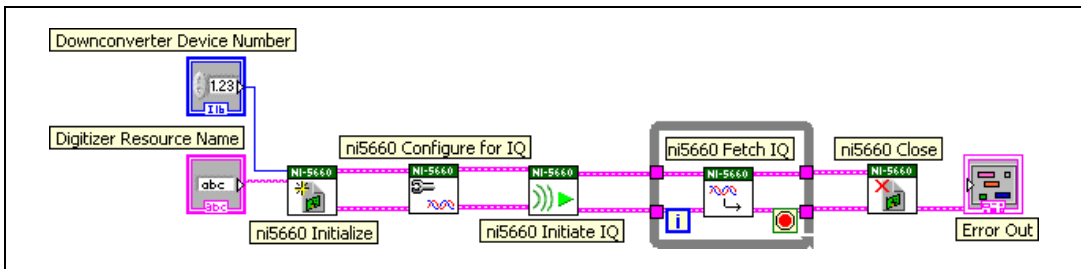


Figure 8. Acquiring Continuous I/Q Data

Example Applications for LabVIEW

Several example ni5660 VI applications are available for LabVIEW. These examples are intended to serve as interactive tools, programming models, and building blocks in your applications.

All installed ni5660 example files are located in the location specified in the *NI RF Signal Analyzers Readme*.

LabVIEW examples demonstrate integration of the NI RF vector signal analyzer with NI RF signal generators and NI toolkit software, including the Modulation Toolkit. Refer to the NI Developer Zone on the Web at ni.com/examples for these examples and more information.

Programming the RF Vector Signal Analyzer in LabWindows/CVI and C

With LabWindows/CVI and C you can program the RF vector signal analyzer hardware modules individually, using function calls to the Spectral Measurements Toolkit and the individual drivers for the RF downconverter and IF digitizer modules. The following list describes the role of each program:

- The Spectral Measurements Toolkit contains specialized functions for programming the RF vector signal analyzer hardware for frequency-domain and I/Q measurements.
- The NI-SCOPE instrument driver controls the NI 5620 IF digitizer module and triggering of the RF vector signal analyzer.
- For more information about NI-SCOPE and triggering, refer to the *NI High-Speed Digitizers Help*, located at **Start»All Programs» National Instruments»NI-SCOPE»Documentation**.
- The NI-TUNER driver controls the NI 5600 RF downconverter module.
For more information about NI-TUNER, refer to the *NI-TUNER Help*, located at **Start»All Programs»National Instruments» NI-TUNER»Documentation**.

The NI-SCOPE and NI-TUNER software components are depicted in Figure 9.

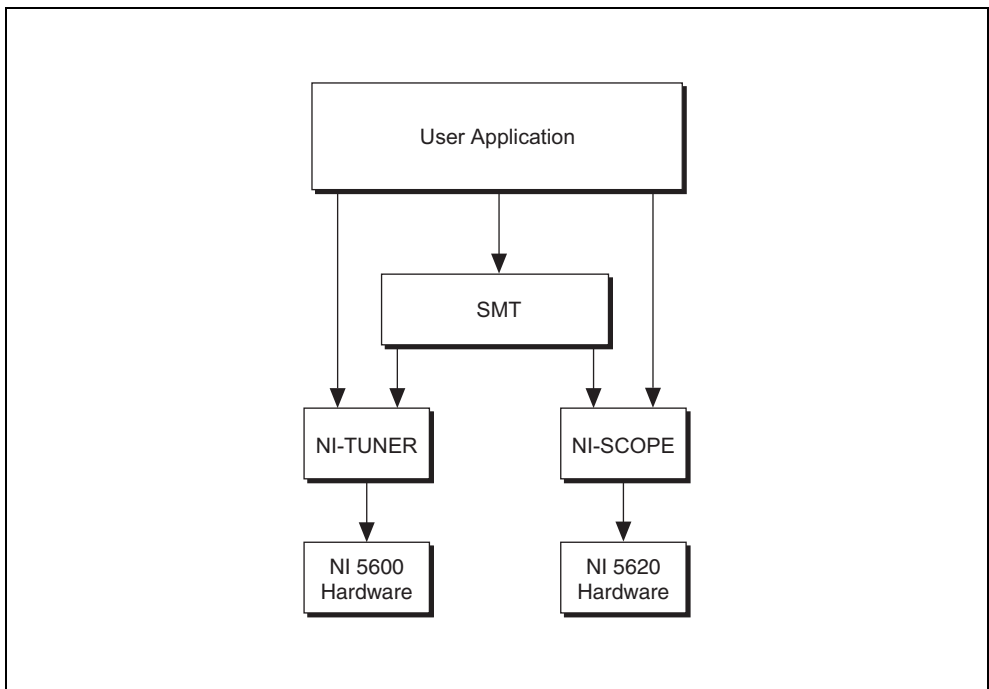


Figure 9. Software Flow Diagram for LabWindows/CVI and C



Note When programmatically operating the RF vector signal analyzer hardware, specify the NI 5620 IF digitizer module using the DAQ Resource Name with the following syntax:

`DAQ: :DeviceNumber`

Specify the NI 5600 RF downconverter module using the MAX device number without modifiers.

Introduction to the Spectral Measurements Toolkit

NI provides add-on software toolkits, such as the Spectral Measurements Toolkit (included) and the Modulation Toolkit, that extend the capability of the RF vector signal analyzer to include frequency- and modulation-domain measurements, and analysis of analog-modulated IF signals.



Note You *must* install the Spectral Measurements Toolkit CD packaged with your RF vector signal analyzer. The Spectral Measurements Toolkit is necessary for analysis of modulated signals using the RF vector signal analyzer.

Use the Spectral Measurements Toolkit (SMT) VIs and functions for frequency-domain analysis, measurement, and display of data acquired using the RF vector signal analyzer. The SMT can perform several operations, including the following:

- Zoom Fast Fourier Transform (FFT) processing and spectrum averaging
- Spectral measurements such as band power, adjacent channel power, and peak frequency and magnitude
- Spectrogram display and analysis
- RF vector signal analyzer hardware configuration for frequency-domain measurements

For complete information about SMT VIs and functions, refer to the Spectral Measurements Toolkit documentation, accessible from **Start»All Programs»National Instruments»Spectral Measurements**. For more information about the Modulation Toolkit, refer to ni.com/rf/software.

SMT Example Applications for LabWindows/CVI and C

The Spectral Measurements Toolkit includes LabWindows/CVI and C examples for the RF vector signal analyzer hardware. You can access the Spectral Measurements Toolkit examples at **Start»All Programs»National Instruments»Spectral Measurements»CVI Support**. The example files are in the location specified in the *NI RF Signal Analyzers Readme*.

Appendix A: Hardware Front Panel Connectors and Indicators

The following sections describe the connectors and LED indicators on the front panels of all three RF vector signal analyzer hardware modules. All input and output terminals, except the PFI 1 connector on the NI 5622 IF digitizer front panel, are AC-coupled.



Note Refer to Figure 3, *Interconnection of Devices with Included NI 5660 Cables*, for illustrations of standard RF vector signal analyzer hardware module front panel interconnections.

NI 5600 RF Downconverter Module

The NI 5600 RF downconverter module front panel contains six connectors and two LEDs, as shown in Figure 10.

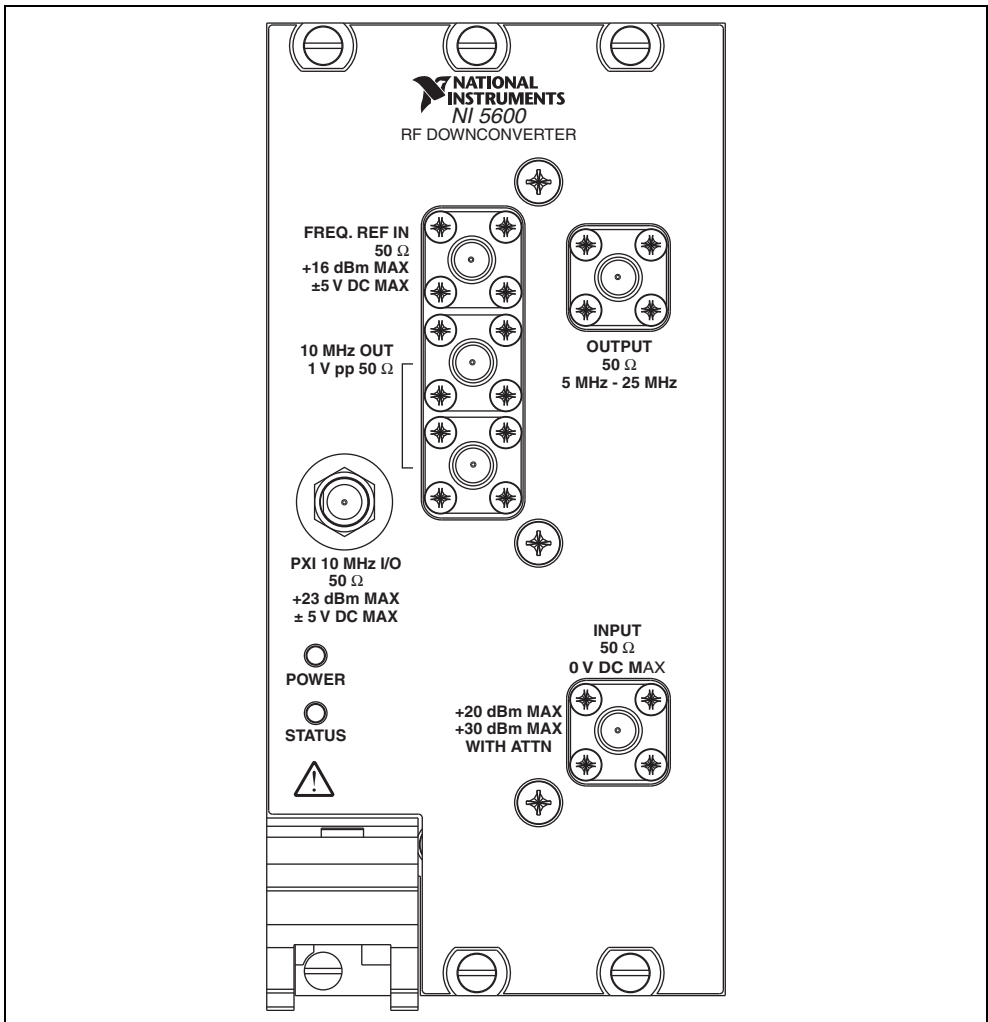


Figure 10. NI 5600 RF Downconverter Module Front Panel



Note The PXI 10 MHz I/O connector can be used to route reference clock signals to the PXI backplane *only* when the NI 5600 RF downconverter module is installed in PXI Slot 2. This connector can export the PXI 10 MHz backplane clock from any NI 5600 PXI installation slot. For more information about exporting reference clock signals, refer to the *NI PXI-5660 Help*.

Table 2. NI 5600 RF Downconverter Module Front Panel Connectors

Connector	Use
FREQ REF IN	Routes an external frequency reference signal to which the NI 5600 can lock. This signal can be propagated to the PXI backplane when the NI 5600 is installed in PXI Slot 2.
10 MHz OUT	Generate replications of the downconverter 10 MHz frequency reference signal. These replicated signals are also useful for driving other devices. Each replication is 180 degrees out-of-phase with the other. The signal output at these connectors is always on and cannot be disabled.
10 MHz OUT	Connect the lower 10 MHz OUT connector to the REF CLK IN connector on the NI 5620 module front panel or to the CLK IN connector on the NI 5142.
PXI 10 MHz I/O	Provides bidirectional connection to the PXI 10 MHz backplane clock. This connector can be used to drive the PXI 10 MHz backplane clock <i>only</i> when the NI 5600 is installed in PXI Slot 2. This connector can be used to export the PXI 10 MHz backplane clock when the NI 5600 RF downconverter is installed in any PXI slot. Refer to the help file for your device for more information.
OUTPUT	Connects to the INPUT connector on the IF digitizer module front panel. This connector is the output terminal for the frequency-translated IF signal for digitization.
INPUT	Connects to the analog RF input signal to be measured by the RF vector signal analyzer.

Table 3. NI 5600 RF Downconverter Module Front Panel LEDs

LED	Indication
POWER	Indicates the basic hardware power status of the NI 5600 RF downconverter module. This LED functions identically to the ACCESS LED on the digitizer module front panel. OFF—The module is not yet functional or has detected a problem with a PXI power rail. GREEN—The module is functional and receiving power.
STATUS	Indicates the status of the NI 5600 RF downconverter module PLLs. OFF—The module is in an uninitialized state, or the module PLLs are attempting to lock. GREEN—The module is in a ready state; applicable PLLs are locked.

NI 5620 IF Digitizer Module

The front panel of the NI 5620 IF digitizer module contains three connectors, as shown in Figure 11.

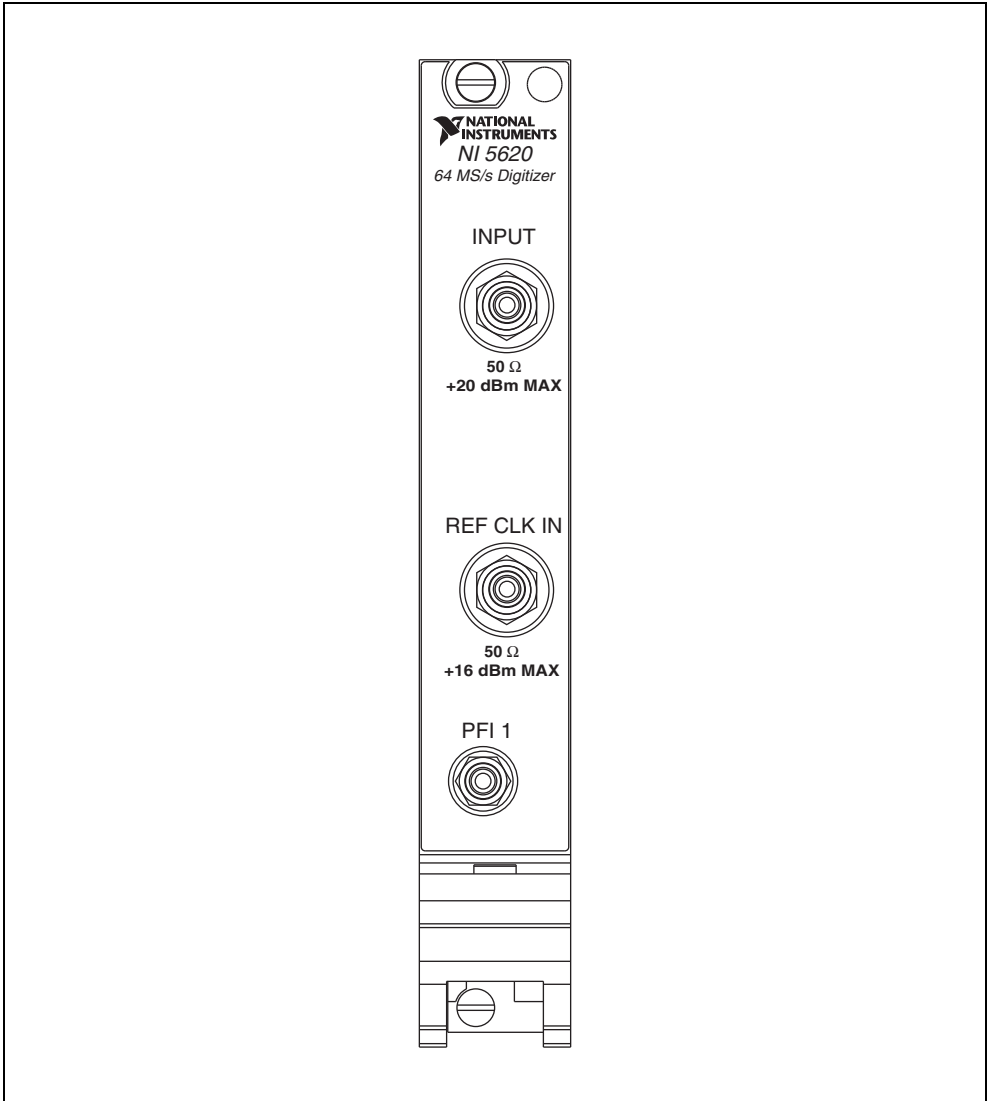


Figure 11. NI 5620 IF Digitizer Module Front Panel

Table 4. NI 5620 IF Digitizer Module Front Panel Connectors

Connector	Use
INPUT	Connects to the OUTPUT connector on the NI 5600 RF downconverter module front panel. This connector is the input terminal for a frequency-translated IF waveform from the NI 5600 RF downconverter for digitization and measurement.
REF CLK IN	Connects to the lower 10 MHz OUT connector on the NI 5600 RF downconverter module front panel. This connector is the input terminal for the NI 5600 internal reference clock signal.
PFI 1	Receives a digital trigger from an external source. Refer to the <i>NI High-Speed Digitizers Help</i> for more information about triggering.

Appendix B: Troubleshooting

This section discusses issues you may encounter during installation, configuration, and use of the RF vector signal analyzer hardware and software.

Installation

NI 5600 RF Downconverter Module Front Panel POWER LED is Off when PXI Chassis is On

If the POWER LED fails to light when the PXI chassis is powered on, a problem may exist with the PXI power rail, a hardware module, or the LED. Complete the following steps to troubleshoot this issue:

1. Power off your PXI chassis.
2. Remove any module front panel interconnections between the RF vector signal analyzer hardware modules.
3. Remove both RF vector signal analyzer hardware modules and inspect for damage. Do *not* reinstall a damaged device.
4. Reinstall both RF vector signal analyzer hardware modules in different PXI slots. Use the *Installing PXI Modules* procedure detailed in your device chapter.
5. Power on your PXI chassis.
6. If the POWER LED still fails to light, and failures continue, contact NI technical support or visit ni.com/support.

A Hardware Module Does Not Appear in MAX

Use the following procedure if any RF vector signal analyzer hardware module does not appear in MAX:

1. In the MAX Configuration pane, expand the **Traditional NI-DAQ (Legacy) Devices** folder.
2. Press <F5> to refresh the list of installed devices.
3. If the module is still not listed, power off the system, ensure that the RF vector signal analyzer hardware is correctly installed, and restart the system. If your hardware still does not appear, continue to step 4.

4. Open the Windows Control Panel and select **System»Hardware»Device Manager**. Complete the appropriate step for your setup:
 - If you are using a PXI controller, verify that a **National Instruments** entry appears in the system device list. Reinstall the driver software and the RF vector signal analyzer hardware modules if error conditions are present in the list.
 - If you are using a MXI-3 controller, right-click **PCI-to-PCI Bridge** and select **Properties** from the shortcut menu to verify that the bridge is enabled.
5. If the module still fails to appear in MAX, contact NI technical support or visit ni.com/support.

The RF Downconverter Module Fails the Self-Test

The MAX self-test performs a brief test of device resources. If the NI 5600 does not pass the self-test, complete the following steps:

1. Restart your system.
2. Launch MAX and perform the self-test again.
3. Reinstall the NI 5600 module in a different slot as described in your device chapter.
4. Perform the self-test again.
5. If the NI 5600 RF downconverter module still fails the self-test, contact NI technical support or visit ni.com/support.

The IF Digitizer Module Fails the Self-Test

The MAX self-test performs a brief device resources test. If the IF digitizer module does not pass the self-test, complete the following steps:



1. Launch MAX by navigating to **Start»All Programs»National Instruments»Measurement & Automation** or by clicking the MAX desktop icon.
2. In the Configuration pane, double-click **Devices and Interfaces** to see the list of installed devices.
3. In MAX, expand one of the following folders:
 - For the NI 5620, expand the **Traditional NI-DAQ (Legacy) Devices** folder. You will see a list of installed devices that includes the NI 5600 RF downconverter and NI 5620 IF digitizer modules.
 - a. Right-click the IF digitizer module name and select **Properties**.
 - b. The Configuring Device dialog appears. Click **Test Resources**.
 - c. In the Configuring Device dialog box, select **Run Test Panels**. The test panel performs a functional test of the IF digitizer module.
 - For the NI 5142 and NI 5622, expand the **NI-DAQmx Devices** folder. You will see a list of installed devices that includes the NI 5600/5601 RF downconverter and NI 5142/5622 IF digitizer modules.
 - a. Right-click the IF digitizer module name and select **Self-Test**.
4. Click the **Start** button to run the test panel.
5. When the test panel has run successfully, click **Close**.
6. Click **OK** in the Configuring Devices dialog box to return to MAX.
7. If the test panel fails and continues to fail, contact NI technical support or visit ni.com/support.

Configuration

RF Vector Signal Analyzer Does Not Initialize

Failure to initialize may indicate a problem with module interconnection or with MAX. If the RF vector signal analyzer fails to initialize, complete the following steps:

1. Reconnect the RF vector signal analyzer hardware module front panel cables securely as shown in your device chapter.
2. Power on your system and run the MAX configuration and self-test procedures in the [7. Configuring and Programming the NI 5660](#) section.
3. If failures continue, contact NI technical support or visit ni.com/support.

NI 5600 RF Downconverter STATUS LED Does Not Light

If the RF vector signal analyzer is programmed to lock to an external reference source or to the PXI backplane but the STATUS light does not indicate a phase locked status, check for the following errors:

- Verify that a cable is connected from the external source or the PXI 10 MHz I/O connector to the FREQ REF IN connector.
- Ensure that the external source signal is large enough—typically greater than -10 dBm.
- Ensure the external source signal falls within the specified frequency accuracy.

If you programmed the RF vector signal analyzer to use the NI 5600 RF downconverter module internal timebase, check for the following errors:

- If the RF vector signal analyzer measures the frequency incorrectly or detects no signal when one is supplied, one or more of the local oscillators is not phase-locked.
- If the RF vector signal analyzer measures the frequency correctly but the LED does not light, there could be a driver software error or the LED is damaged.
- If failures continue, contact NI technical support or visit ni.com/support.

The NI 5620/5142 IF Digitizer Module Does Not Phase-Lock to the RF Downconverter Module

If you programmed the IF digitizer module to phase-lock to the NI 5600 RF downconverter module internal reference through the front panel and you encounter failure, check for the following errors:

1. Verify that the cable is not faulty.
2. Ensure that there is a reference signal output from the NI 5600 10 MHz OUT front panel connectors.
3. If there is no signal at these output terminals, contact NI technical support or visit ni.com/support.

If you programmed the IF digitizer module to phase-lock to the PXI backplane driven by the NI 5600 RF downconverter module internal reference and you encounter failure, check for the following errors:

- Ensure that the NI 5600 is in Slot 2 of the PXI chassis, immediately adjoining the PXI controller slot.
- Verify that the PXI 10 MHz I/O connector is securely wired to one of the 10 MHz OUT connectors using the included cable, as shown in your device chapter.
- Verify that the **drive backplane clock** parameter of the ni5660 Configure Reference Clock VI is set to TRUE.

If failures or errors continue, contact NI technical support or visit ni.com/support.

Measurements

For more information about making measurements with the RF vector signal analyzer, refer to the *NI PXI-5660 Help*.

RF Vector Signal Analyzer Amplitude Reading Does Not Match Source

If the RF vector signal analyzer reports an incorrect amplitude reading, check for the following possible errors:

1. Check that the discrepancy between the RF vector signal analyzer and the source is within the error limits of the devices, as follows:
 - a. Verify the absolute amplitude accuracy of the RF vector signal analyzer.
 - b. Verify the output level accuracy of the source.
2. Check for loss in the cables, which can be substantial. For example, RG58 coaxial cable loses about 2.1 dB of signal amplitude per foot at 2 GHz. Unless you are using high-quality cables, expect losses when working with high-frequency signals.
3. Ensure that you are using the amplitude calibration functions in the NI Spectral Measurements Toolkit. Failure to apply calibration functions can result in large amplitude errors.
4. If errors continue, contact NI technical support or visit ni.com/support.

Technical Support and Professional Services

Visit the following sections of the award-winning National Instruments Web site at ni.com for technical support and professional services:

- **Support**—Technical support at ni.com/support includes the following resources:
 - **Self-Help Technical Resources**—For answers and solutions, visit ni.com/support for software drivers and updates, a searchable KnowledgeBase, product manuals, step-by-step troubleshooting wizards, thousands of example programs, tutorials, application notes, instrument drivers, and so on. Registered users also receive access to the NI Discussion Forums at ni.com/forums. NI Applications Engineers make sure every question submitted online receives an answer.
 - **Standard Service Program Membership**—This program entitles members to direct access to NI Applications Engineers via phone and email for one-to-one technical support as well as exclusive access to on demand training modules via the Services Resource Center. NI offers complementary membership for a full year after purchase, after which you may renew to continue your benefits.

For information about other technical support options in your area, visit ni.com/services, or contact your local office at ni.com/contact.
- **Training and Certification**—Visit ni.com/training for self-paced training, eLearning virtual classrooms, interactive CDs, and Certification program information. You also can register for instructor-led, hands-on courses at locations around the world.
- **System Integration**—If you have time constraints, limited in-house technical resources, or other project challenges, National Instruments Alliance Partner members can help. To learn more, call your local NI office or visit ni.com/alliance.
- **Declaration of Conformity (DoC)**—A DoC is our claim of compliance with the Council of the European Communities using the manufacturer's declaration of conformity. This system affords the user protection for electromagnetic compatibility (EMC) and product safety. You can obtain the DoC for your product by visiting ni.com/certification.

- **Calibration Certificate**—If your product supports calibration, you can obtain the calibration certificate for your product at ni.com/calibration.

If you searched ni.com and could not find the answers you need, contact your local office or NI corporate headquarters. Phone numbers for our worldwide offices are listed at the front of this manual. You also can visit the Worldwide Offices section of ni.com/niglobal to access the branch office Web sites, which provide up-to-date contact information, support phone numbers, email addresses, and current events.

CVI, National Instruments, NI, ni.com, and LabVIEW are trademarks of National Instruments Corporation. Refer to the *Terms of Use* section on ni.com/legal for more information about National Instruments trademarks. The mark LabWindows is used under a license from Microsoft Corporation. Windows is a registered trademark of Microsoft Corporation in the United States and other countries. Other product and company names mentioned herein are trademarks or trade names of their respective companies. For patents covering National Instruments products/technology, refer to the appropriate location: **Help»Patents** in your software, the `patents.txt` file on your media, or the *National Instruments Patent Notice* at ni.com/patents.

© 2009 National Instruments Corporation. All rights reserved.

スタートアップガイド

NI PXI-5660

このマニュアルでは、NI PXI-5660 無線周波数 (RF) ベクトル信号アナライザの取り付け、構成、テスト、および使用開始の方法を説明するとともに、RF ベクトル信号アナライザのプログラミング方法やプログラムサンプルを紹介します。その他のドキュメントについての詳細は、「1. システム要件を確認する」セクションを参照してください。

目次

表記規則	1
1. システム要件を確認する	2
2. デバイスをパッケージから取り出す	2
3. キットの内容を確認する	3
その他必要となるもの	4
4. ソフトウェアをインストールする	6
5. NI 5660 を取り付ける	7
NI 5600 RF ダウンコンバータモジュールを取り付ける	7
NI 5620 IF デジタイザモジュールを取り付ける	7
PXI モジュールを取り付ける	7
PXI モジュールを取り外す	9
6. NI 5660 モジュールを相互接続する	10
冷却について	11
7. NI 5660 を構成およびプログラミングする	12
両方のモジュール名を変更する	13
対話式にデータを集録する	13
ハードウェアをプログラムの的に構成する	16
スペクトル計測ツールキットの概要	19
付録 A: ハードウェアフロントパネルのコネクタおよびインジケータ	20
NI 5600 RF ダウンコンバータモジュール	20
NI 5620 IF デジタイザモジュール	23
付録 B: トラブルシューティング	24
取り付け	24
構成	26
測定	27
技術サポートおよびプロフェッショナルサービス	28

表記規則

このドキュメントでは以下の表記規則を使用します。

- 矢印 (→) は、ネスト化されたメニュー項目やダイアログボックスのオプションをたどっていくと目的の操作項目を選択できることを示します。 **ファイル→ページ設定→オプション**と表記されている場合は、まず**ファイル**メニューをプルダウンし、次に**ページ設定**項目を選択し、最後にダイアログボックスで**オプション**を選択します。



このアイコンは、ユーザへのアドバイスを示します。



このアイコンは、注意すべき重要な情報を示します。



このアイコンは、人体への損傷やデータ損失、システムクラッシュなどを回避するために必要な注意事項を示します。製品にこの記号が付いている場合は、『はじめにお読みください：安全対策と電磁両立性について』を参照して必要な安全対策を講じてください。



この記号は、電気ショックを防止するための事前対策についての警告を示します。



この記号は、熱を帯びる可能性があるコンポーネントを示します。このコンポーネントに接触すると、負傷する可能性があります。

太字

太字のテキストは、メニュー項目やダイアログボックスオプションなど、ソフトウェアでユーザが選択またはクリックする必要がある項目を示します。また、パラメータ名も示します。

monospace

このフォントのテキストは、キーボードから入力する必要があるテキストや文字、コードの一部、プログラムサンプル、構文例を表します。また、ディスクドライブ名、パス名、ディレクトリ名、プログラム名、サブプログラム名、サブルーチン名、デバイス名、演算名、変数名、ファイル名と拡張子にも使用します。

monospace

ユーザが入力する必要がある語または値のプレースホルダを示します。

斜体

プラットフォーム

特定のプラットフォームを表し、そのすぐ後の記述はそのプラットフォームのみに適用されることを示します。

1. システム要件を確認する

NI RF ベクトル信号アナライザを使用するには、特定の要件を満たすシステムが必要です。詳細な最低要件、推奨要件、サポートされるアプリケーション開発環境（ADE）については、NI-RFSA ソフトウェアに含まれる『NI RF 信号アナライザ Readme』を参照してください。



メモ NI-RFSA をインストール済みのコンピュータでは、**スタート→すべてのプログラム→National Instruments → NI-RFSA →ドキュメント**を選択するか、ni.com/support/ja/download よりオンラインで『NI RF 信号アナライザ Readme』を閲覧できます。

2. デバイスをパッケージから取り出す

RF 信号アナライザのハードウェアモジュールは、静電気放電（ESD）による破損を防ぐために静電気防止用パッケージで包装し出荷されます。ESD はハードウェアモジュールのコンポーネント破損の原因となる可能性があるため、すべてのモジュールは、使用していないときは静電気防止用袋に入れて保管してください。



注意 露出しているコネクタピンには絶対に触れないでください。

RF ベクトル信号アナライザのハードウェアモジュールの取り扱い中に破損しないよう、以下の予防措置を実行してください。

- 接地ストラップを使用したり、接地されている物体に触れて、身体を接地する。
- 静電気防止用パッケージをシャーシの金属部分に接触させてから、ハードウェアモジュールを取り出す。

各ハードウェアモジュールをパッケージから取り出し、部品がゆるんでいないかどうか、また、破損箇所がないかどうか調べます。いずれかのハードウェアモジュールが破損している場合は、ナショナルインストルメンツまでご連絡ください。破損しているモジュールはシステムに取り付けけないでください。

3. キットの内容を確認する

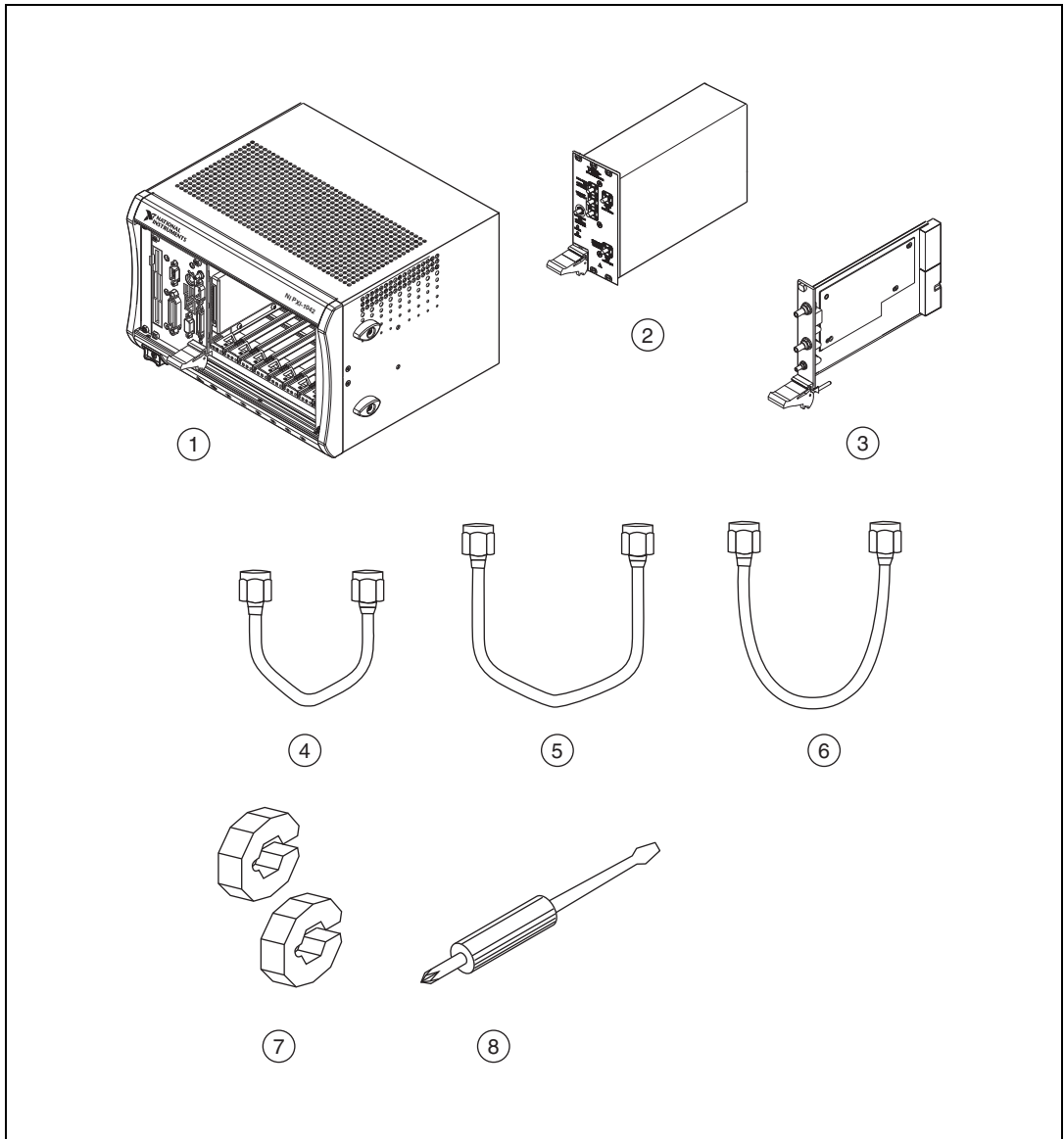
RF ベクトル信号アナライザの設定および使用には以下が必要です。見出しの四角マークは、キットに含まれる実際の機器、部品類を表します。

- ドライバソフトウェアのディスク — NI-RFSA および ni5660 計測器ドライバソフトウェア、および以下のドキュメントを含む電子ドキュメントをインストールします。
 - 『NI RF 信号アナライザ Readme』 — この HTML ドキュメントには、システムの最低要件および推奨要件、新しい機能、インストールされるファイルの保存場所、および NI-RFSA 計測器ドライバソフトウェアのアンインストールと変更の方法についての情報が記載されています。
 - 『NI PXI-5660 Help』 — このオンラインドキュメントは**スタート→すべてのプログラム→National Instruments→NI-RFSA→ドキュメント**にあり、NI 5660 RF ベクトル信号アナライザの操作方法を習得する場合にお読みください。
 - 『NI 高速デジタイザヘルプ』 — このオンラインヘルプドキュメントは**スタート→すべてのプログラム→National Instruments→NI-SCOPE→ドキュメント**にあり、お使いの RF ベクトル信号アナライザの一部として含まれている IF デジタイザモジュールの詳細について習得する場合にお読みください。
 - 『NI-TUNER Help』 — このオンラインドキュメントは Program Files\National Instruments\<LabVIEW>\Help ディレクトリにあり、RF ダウンコンバータモジュールおよび IF デジタイザモジュール用計測器ドライバの機能の詳細について調べる場合にお読みください。
- NI スペクトル計測ツールキット CD — スペクトル計測ツールキット (SMT) ソフトウェアコンポーネントをインストールします。このコンポーネントには、SMT の VI および関数、サンプル、ドキュメントが含まれます。
- 1/8 in. プラス / マイナスドライバー
- 以下の印刷版ドキュメント類：
 - NI PXI-5660 スタートアップガイド (このドキュメント)
 - お使いのデバイスに付属する仕様書
 - はじめにお読みください: 安全対策と電磁両立性について
 - 強制空冷の維持について

- 2つのハードウェアモジュール
 - NI 5600 RF ダウンコンバータモジュール
 - NI 5620 IF デジタイザモジュール
- モジュールを相互接続するための短いケーブル類
 - セミリジッド SMA-SMA 同軸ケーブル (短) ×1
 - セミリジッド SMA-SMA 同軸ケーブル (長) ×1
 - セミフレキシブル SMA-SMA 同軸ケーブル ×1
- 同軸ケーブルの六角コネクタ固定用プラスチックカラー (ケーブルレンチ)

その他必要となるもの

- 以下のうちいずれか
 - **(PXI システム)** PXI シャーシ、このガイドで指定されたシステム要件を満たす PXI 組込または MXI コントローラシステム、およびシャーシ関連ドキュメント。
 - **(PXI Express システム)** PXI Express シャーシ、PXI Express 組込または MXI Express コントローラ、およびシャーシ関連ドキュメント。
- 1 N・m 標準 SMA トルクレンチ (部品番号 187106-01)、付属の SMA ドライバービットと使用



- | | |
|--|---------------------------------------|
| 1 NI PXI-1042 または PXI-1045 シャーシ
(別途ご注意ください) | 5 セミリジッド SMA-SMA ケーブル (長) (763481-01) |
| 2 NI 5600 RF ダウンコンバータモジュール | 6 セミフレキシブル SMA-SMA ケーブル (763488-01) |
| 3 NI 5620 IF デジタイザモジュール | 7 ケーブルレンチ x2 (746016-01) |
| 4 セミリジッド SMA-SMA ケーブル (短) (763480-01) | 8 ドライバー (772006-01) |

図 1 NI 5660 キット内容および交換製品番号

4. ソフトウェアをインストールする

計測器ドライバソフトウェアのコンポーネントをインストールするには、以下の手順に従ってください。RF ベクトル信号アナライザのハードウェアを取り付ける前に、必ずすべての付属ソフトウェアをインストールしてください。

1. LabVIEW、LabWindows™/CVI™ などのアプリケーション開発環境 (ADE)、または他社製プログラムはそれぞれの説明書に従ってインストールしてください。また、使用する開発環境のインストールは、ドライバソフトウェアおよびスペクトル計測ツールキットをインストールする前に行う必要があります。
2. NI-RFSA ディスクを CD/DVD ドライブに挿入し、インストール画面の指示に従います。**NI-RFSA 2.1** (NI PXI-5661 および NI PXIe-5663) および **NI PXI-5660 サポート**、またはいずれか一方を選択できます。
(Windows Vista) アクセス / セキュリティメッセージが表示される場合があります。画面の指示に従って、インストールを完了します。



メモ インストール画面が開かない場合は、該当するディスクドライブを開いて `setup.exe` をダブルクリックします。

3. LabVIEW Real-Time モジュールを実行するシステムを使用する場合は、Measurement & Automation Explorer (MAX) にて NI-RFSA をターゲットにダウンロードします。MAX リモートシステムの詳細については、MAX で **ヘルプ→ヘルプトピック→リモートシステム** を選択し、『MAX リモートシステムヘルプ』を参照してください。
4. インストールが完了したら、ドライバソフトウェアのディスクを取り出します。



メモ ドライバソフトウェアのインストールは、スペクトル計測ツールキットをインストールする前に行う必要があります。

5. スペクトル計測ツールキット CD を挿入します。
6. 使用する ADE に対してスペクトル計測ツールキットをインストールします。インストール画面の指示に従います。
7. インストールが完了したら、スペクトル計測ツールキット CD を取り出します。



メモ RF ベクトル信号アナライザの機能を最大限に活用するには、このアナライザに同梱されているスペクトル計測ツールキットをインストールする必要があります。スペクトル計測ツールキットを使用すると、RF ベクトル信号アナライザの機能が周波数領域および変調領域の測定、アナログ変調された IF 信号の解析にまで拡張されます。

8. RF ベクトル信号アナライザと併用する他のソフトウェアのインストールは、ドライバソフトウェアおよびスペクトル計測ツールキットをインストールした後に行います。



メモ RF デバイスと併用するツールキットまたは他のソフトウェアのインストールをドライバソフトウェアのインストール前に行った場合は、ドライバソフトウェアおよびスペクトル計測ツールキットをインストールした後にこれらを再インストールするか、修復してください。



メモ スペクトル計測ツールキットにはアナログ変復調のサンプルが含まれています。モジュレーションツールキットにはデジタル変復調測定機能が含まれます。お使いの RF ベクトル信号アナライザのキットには両方のツールキットが含まれている場合があります。また、NI モジュレーションツールキットは `ni.com` でご購入、インストールできます。NI PXI-5660 サポートおよびスペクトル計測ツールキットのインストールは、モジュレーションツールキットをインストールする前に行います。

5. NI 5660 を取り付ける

NI 5660 モジュールは、PXI フォームファクタで使用することができます。NI 5660 RF ベクトル信号アナライザハードウェアモジュールを取り付けるには 4 つの空き PXI (またはハイブリッド) スロットが必要です。4 つのうち 3 つは NI 5600 RF ダウンコンバータモジュール用、残りの 1 つは NI 5620 IF デジタイザモジュール用です。付属の同軸ケーブルを使用するには、NI 5620 は NI 5600 のすぐ右側のスロットに取り付けてください。



メモ NI PXI-5660 サポートはハードウェアを取り付ける前にインストールしておく必要があります。

NI 5600 RF ダウンコンバータモジュールを取り付ける

NI 5600 モジュールの取り付けは、「PXI モジュールを取り付ける」セクションの手順 1 から 10 に従ってください。



メモ NI 5600 のオンボード周波数リファレンスは、RF ダウンコンバータモジュールが PXI スロット 2 に取り付けられている場合にのみ PXI バックプレーンクロックを駆動できます。NI 5600 が PXI スロット 2 に取り付けられていると、高精度、高安定性のオンボード恒温水晶発振器 (OCXO) に PXI バックプレーンクロックをロックするように NI 5600 を構成できます。また、NI 5600 を外部周波数基準クロック信号に対してロックし、この基準をバックプレーンへ駆動することもできます。外部周波数基準を使用するには、この信号を NI 5600 モジュールフロントパネル上の FREQ REF IN コネクタに接続する必要があります。

NI 5620 IF デジタイザモジュールを取り付ける

NI 5620 モジュールの取り付けは、「PXI モジュールを取り付ける」セクションの手順 2 から 11 に従ってください。

PXI モジュールを取り付ける

NI PXI モジュールは精密機器であるため、取り扱いには注意が必要です。このモジュールを、使用温度範囲または使用湿度範囲を超える環境に配置しないでください。



メモ 定格最大値についての詳細は、**スタート→すべてのプログラム→National Instruments →NI-RFSA →ドキュメント→仕様**にある、お使いのデバイスの仕様を参照してください。

エアダスターを使用して、モジュールに付着するほこりを取り除いてください。手入れ時に溶媒や液体は使用しないでください。

デバイスを取り扱う際は、ESD や汚れによる被害を避けるために、デバイスの端や金属ブラケットを持ってください。お使いのハードウェアの無線周波数妨害特性についての詳細は、ドキュメント『はじめにお読みください: 安全対策と電磁両立性について』を参照してください。



注意 デバイスを取り付ける前に、必ずシャーシの電源を切り、電源プラグを抜いてください。

3

PXI モジュールは、グリフ (円で囲まれたスロット番号) の記載がある任意の PXI スロットに取り付けることができます。

H
7

また、PXI モジュールは、周辺スロットとの互換性を示すグリフ (文字 "H" と塗りつぶされた円で囲まれたスロット番号) の記載がある任意の PXI ハイブリッドスロットに取り付けることができます。

PXI モジュールを取り付けるには、以下の手順に従ってください。

1. PXI シャーシの電源を切り、電源プラグを抜きます。
2. シャーシにファンの速度設定が複数ある場合は、ファンの設定を HIGH にします。ファンの速度を LOW に設定したり、ファンを停止しないでください。
3. シャーシのファンの吸気口と排気口の間に十分な空間を確保できる場所に置きます。この空間が壁や障害物でふさがれていると、冷却に必要な空気の流れに影響します。冷却に関する詳細については、それぞれのシャーシ関連ドキュメントを参照してください。
4. 着脱用ハンドルがラッチされていない状態（下向き）になっていることを確認します。
5. モジュールのフロントパネルにある取り付けネジからゴム製ネジカバーを取り外します。
6. モジュールの脱着ハンドル部分を持ちながら、図 2 のようにモジュールを使用可能な PXI（またはハイブリッド）スロットに差し込みます。モジュールのベースカード（モジュールの正面から見て左側のカード）がシャーシのカードガイドに固定されていることを確認します。
7. モジュールを完全にシャーシに押し込み、脱着ハンドルを引き上げて固定します。
8. モジュールのフロントパネルにあるネジを締めてモジュールを固定します。ネジが適切に締められていないと、パフォーマンスに影響が出る恐れがあります。
9. PXI シャーシファンが動作し、通気を妨げるようなほこりや汚れがついていないことを確認します。
10. RF ベクトル信号アナライザハードウェアモジュールの取り付け後、すべてのシャーシカバーおよびフィルターパネルを取り付けます。フィルターパネルが取り付けられていない場合、シャーシ内で空気の循環が適切に行われません。



メモ NI では、RF ベクトル信号アナライザハードウェアモジュールの冷却のための通気が最大限に確保できるように隣接の空き PXI スロットにスロットブロッカーを取り付けることを推奨しています。PXI シャーシスロットブロッカーキット（製品番号 778678-01）は ni.com/jp で購入可能です。

11. PXI シャーシの電源プラグを接続し、電源を投入します。

図 2 に、互換性のあるシャーシスロットに PXI モジュールが正しく取り付けられている状態を示します。

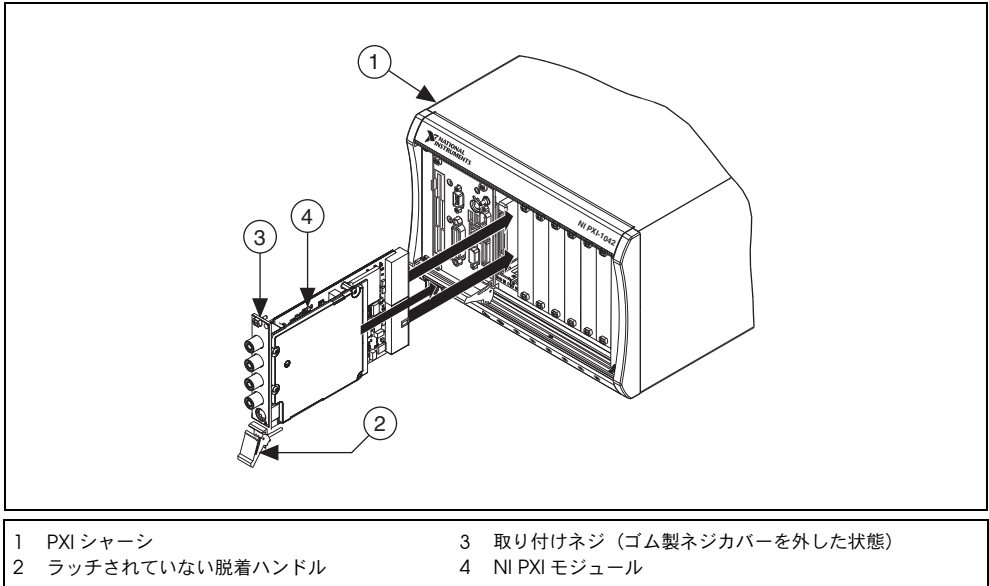


図 2 PXI モジュールの取り付け

PXI モジュールを取り外す

PXI モジュールを取り外す前にシャーシの電源を切ります。PXI モジュールをシャーシから取り外す際は、接地ストラップを装着したり接地された金属面に触れるなど、必ず身体に接地対策を施してください。ESD を防止するため、デバイスの露出したコネクタピンや回路には触れないでください。PXI デバイスは、使用していないときは元の静電気防止用袋に入れて保管してください。



熱面 PXI デバイスの金属面は、稼働中に高温となる場合があります。デバイスをシャーシから取り外す、または別の周辺機器スロットへ移動する際は注意してください。デバイスを取り外す際は、着脱用ハンドルとフロントパネルのみに触れるようにしてください。

6. NI 5660 モジュールを相互接続する

NI 5600 および NI 5620 はモジュールのフロントパネルを介して相互接続されます。RF ベクトル信号アナライザハードウェアモジュールのフロントパネルコネクタを相互接続するには、図 3 に示すように、手順 1 から 6 に従ってください。

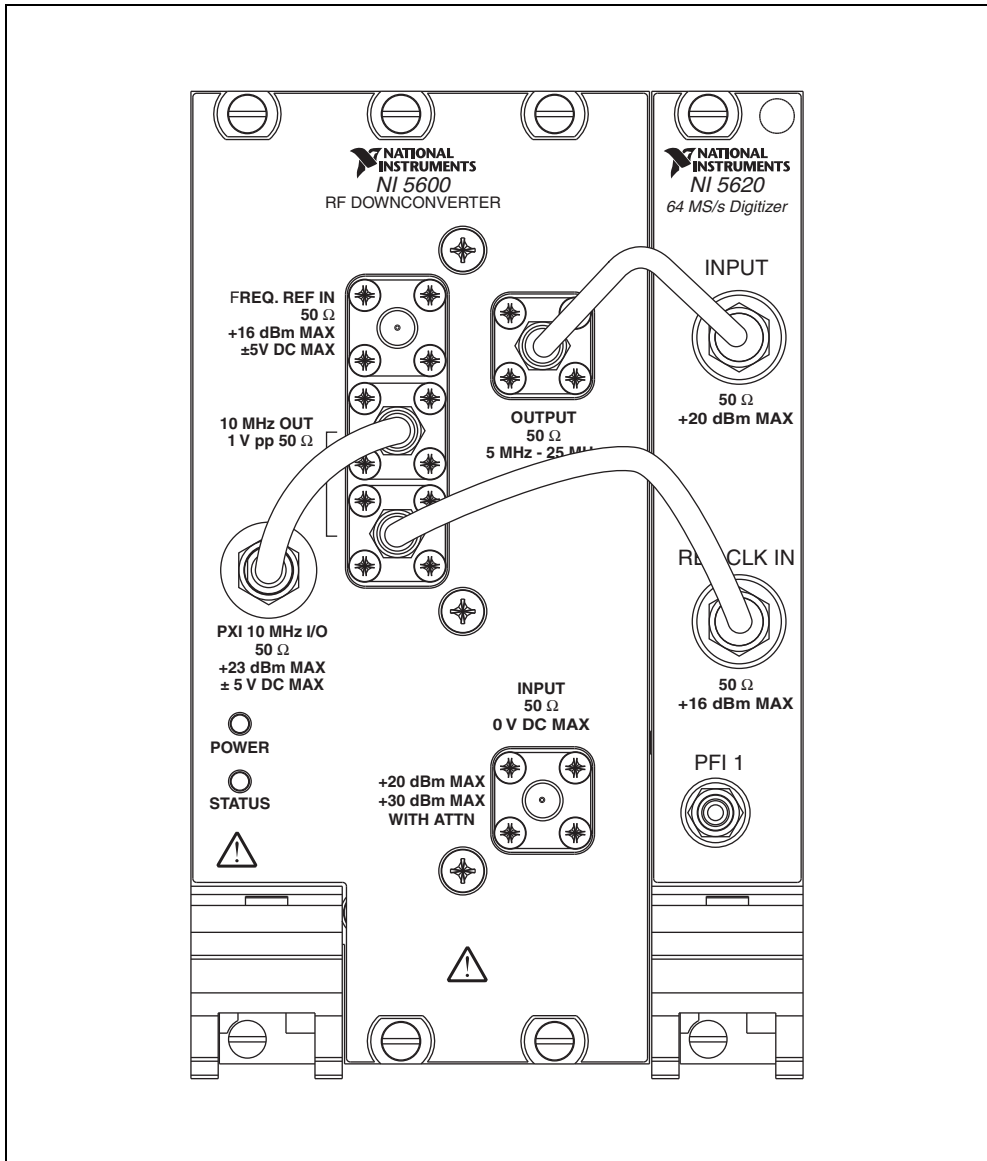


図 3 付属の NI 5660 ケーブルを使用したデバイスの相互接続



メモ 公開されている NI 5660 RF ベクトル信号アナライザの仕様は付属ケーブルの使用を前提としています。それ以外のケーブルを使用するとパフォーマンスに影響する場合があります。

1. セミリジッド同軸ケーブル（短）を使用して、NI 5600 RF ダウンコンバータのフロントパネル上の OUTPUT コネクタを NI 5620 IF デジタイザのフロントパネル上の INPUT コネクタに接続します。



メモ セミリジッドケーブルは、図 3 に示すように折り曲がった部分が上向きになるように取り付けてください。

2. セミリジッド同軸ケーブル（長）を使用して、NI 5600 のフロントパネル上の 2 つの 10 MHz OUT コネクタのうちの下側を NI 5620 のフロントパネル上の REF CLK IN コネクタに接続します。



メモ NI 5600 のオンボード周波数リファレンスは、RF ダウンコンバータモジュールが PXI スロット 2 に取り付けられている場合にのみ PXI バックプレーンクロックを駆動できます。NI 5600 が PXI スロット 2 に取り付けられていると、高精度、高安定性のオンボード恒温水晶発振器（OCXO）に PXI バックプレーンクロックをロックするように NI 5600 を構成できます。また、NI 5600 を外部周波数基準クロック信号に対してロックし、この基準をバックプレーンへ駆動することもできます。外部周波数基準を使用するには、この信号を NI 5600 モジュールフロントパネル上の FREQ REF IN コネクタに接続する必要があります。

3. （オプション）セミフレキシブル同軸ケーブルを使用して、NI 5600 のフロントパネル上の双方向 PXI 10 MHz I/O コネクタを NI 5600 のフロントパネル上の上側の 10 MHz OUT コネクタに接続します。



注意 SMA コネクタが適正なトルクで締められていないと、信号の信頼性、位相ロックループ（PLL）のパフォーマンスが低下し、および挿入損失が起きます。すべての SMA コネクタを $1\text{ N}\cdot\text{m}$ の適正トルクで確実に締められるように、SMA 用トルクレンチを使用してください。

4. 図 3 に示すように、SMA 用トルクレンチ（別途ご用意ください）を使用して、注意しながらすべての SMA コネクタを $1\text{ N}\cdot\text{m}$ のトルクで締めます。レンチがカチッと音がすると適正なトルクです。
5. PXI シャーシおよびコントローラシステムの電源プラグを差し込み、電源を投入します。
6. NI 5600 RF ダウンコンバータモジュールの POWER LED が点灯していることを確認します。LED が点灯していない場合は、「付録 B: [トラブルシューティング](#)」を参照してください。

これで、NI 5660 RF ベクトル信号アナライザの取り付けが完了しました。

冷却について

PXI デバイスの取り付け時は、キットに付属の『強制空冷の維持について』のガイドラインに従い、デバイスを効率的に冷却してください。



注意 空気の循環が不十分だと、シャーシ内部の温度が RF ベクトル信号アナライザハードウェアモジュールの最適な動作温度以上に上昇して、過熱遮断、製品寿命の短縮、または不適切な動作の原因となる可能性があります。

7. NI 5660 を構成およびプログラミングする

Measurement & Automation Explorer (MAX) を使用すると、お使いの NI ハードウェアを構成できます。MAX はデバイスがシステムにどのように接続し、構成されているかについての情報を他のプログラムに通知します。MAX はドライバソフトウェアのインストール時に自動的にインストールされます。

MAX を使用して NI 5660 RF ベクトル信号アナライザハードウェアモジュールの構成、セルフテスト、および機能テストを行うには、以下の手順に従ってください。



1. **スタート→すべてのプログラム→National Instruments → Measurement & Automation** を選択するか、MAX のデスクトップアイコンをクリックして MAX を起動します。
2. 取り付けられているデバイスのリストを表示するには、構成ペーンで**デバイスとインタフェース**をダブルクリックします。
3. **従来型 NI-DAQ (レガシー) デバイス**フォルダを展開します。NI 5600 および NI 5620 モジュールを含む、取り付けられているデバイスのリストが表示されます。(デフォルトのデバイス名は使用状況により異なります。)



メモ NI 5600 および NI 5620 モジュールがリストに表示されない場合は、「[付録 B: トラブルシューティング](#)」を参照してください。

4. MAX がお使いの RF ベクトル信号アナライザハードウェアモジュールに割り当てたデバイス番号をメモします。これらの番号は RF ベクトル信号アナライザをプログラミングする際に使用されます。

両モジュールのセルフテストを行うには手順 5 から 11 に従ってください。

5. **NI PXI-5600** を右クリックして、**プロパティ**を選択します。
6. 構成デバイスダイアログボックスが表示されます。**テストリソース**をクリックして、NI 5600 RF ダウンコンバータハードウェアモジュールのセルフテストを行います。MAX のセルフテストでは、ハードウェアリソースの基本的確認を行います。
7. NI-DAQ 構成ユーティリティダイアログボックスが表示されるので、セルフテストの実行を確認します。**OK**をクリックし、構成デバイスダイアログボックスに戻ります。



メモ NI 5600 RF ダウンコンバータモジュールのセルフテストに失敗した場合は、「[付録 B: トラブルシューティング](#)」を参照してください。

8. NI 5600 構成デバイスダイアログボックスで **OK** をクリックし、MAX に戻ります。
9. **NI PXI-5620** を右クリックして、**プロパティ**を選択します。
10. 構成デバイスダイアログボックスが表示されます。**テストリソース**をクリックして、NI 5620 IF デジタイザハードウェアモジュールのセルフテストを行います。
11. NI-DAQ 構成ユーティリティダイアログボックスが表示されます。**OK** をクリックして構成デバイスダイアログボックスに戻り、NI 5620 テストパネルの操作を続行します。



メモ NI 5620 IF デジタイザモジュールのセルフテストに失敗した場合は、「[付録 B: トラブルシューティング](#)」を参照してください。

これで、NI 5660 RF ベクトル信号アナライザのセットアップ、構成、およびテストが完了しました。

両方のモジュール名を変更する

MAXにより、両方のNI 5660ハードウェアモジュールの名前を変更できます。ソフトウェアでMAXにあるモジュール名を使用してNI 5660ハードウェアリソースを操作します。モジュール名は変更せずに、MAXで割り当てられたデフォルト名のままでもかまいませんが、変更することでプログラムがより読みやすくなることがあります。モジュール名を変更しない場合には、「対話式にデータを集録する」セクションに進みます。

両方のNI 5660ハードウェアモジュールの名前を変更するには、手順1から7に従ってください。

1. **NI PXI-5600** を右クリックして、ショートカットメニューから**名前の変更**を選択します。
2. NI 5600モジュールに付ける新規の名前を入力します。



メモ デバイス名には英数字と下線文字のみ使用できます。

3. **OK** をクリックします。
4. **NI PXI-5620** を右クリックして、ショートカットメニューから**名前の変更**を選択します。
5. NI 5620モジュールに付ける新規の名前を入力します。
6. **OK** をクリックします。
7. 次のセクションに進む前に、両方のモジュールに付けた新規の名前が表示されていることを確認します。

対話式にデータを集録する

RFベクトル信号アナライザを使用して対話式にデータを集録したり測定を行うには、付属のRFSA Demo Panelを使用します。RFSA Demo Panelは、MAXで**ツール→ソフトフロントパネル→NI5660 - RFSA Demo Panel**から、または**スタート→すべてのプログラム→National Instruments →NI-RFSA →5660 Demo Panel**のスタートメニューから開くことができます。

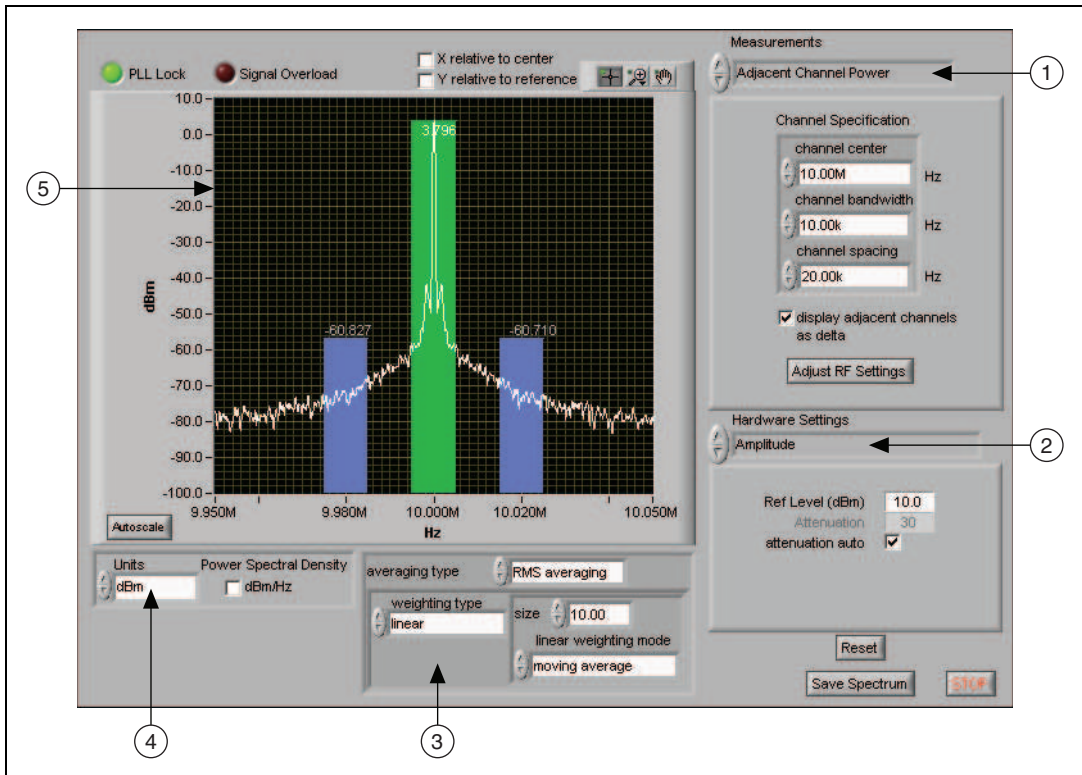


ヒント 外部信号源が使用できない場合は、NI 5600 RFダウンコンバータモジュールのフロントパネルにある10 MHz OUTコネクタからの信号出力を信号源として使用して適切にRFベクトル信号アナライザが取り付けられていることを確認し、この信号出力をRFSA Demo Panelに対するライブ信号として使用できます。この信号を使用するには、NI 5600モジュールの10 MHz OUTコネクタをNI 5600 RFダウンコンバータのフロントパネル上のINPUTコネクタに接続します。

(図 4 に示す) RFSA Demo Panel では、使いやすいソフトウェアインタフェースにより RF ベクトル信号アナライザハードウェアを操作でき、一般的な周波数領域測定および I/Q 測定が行えます。



ヒント RFSA Demo Panel のすべての制御器および表示器の詳細ヘルプを表示するには <Ctrl-H> を押してください。



- | | | |
|------------------------------------|-----------------------|---------|
| 1 Measurements (測定) 制御器 | 3 Averaging (平均化) 制御器 | 5 波形グラフ |
| 2 Hardware Settings (ハードウェア設定) 制御器 | 4 Units (単位) 制御器 | |

図 4 ACP 測定を実行中の RFSA Demo Panel

RFSA Demo Panel を使用するには、以下の制御器を構成します。

- RFSA Device Numbers ダイアログボックスのデバイス番号が MAX で RF ベクトル信号アナライザハードウェアモジュールに割り当てられたデバイス番号と一致していることを確認し、**OK** をクリックします。
- Hardware Settings** (ハードウェア設定) 制御器で、以下のパラメータを含む測定のハードウェアパラメータを指定します。
 - RF Spectrum Settings (RF スペクトル設定)
 - Amplitude (振幅)
 - Timing (タイミング)
 - Advanced Spectral Parameters (上級スペクトルパラメータ)
 - Devices (デバイス)

3. **Measurements** (測定) で、実行したい測定を指定します。以下のオプションのうち1つを選択できます。
 - Peak Search (ピーク検出)
 - Delta Peak (デルタピーク)
 - Power in Band (帯域内電力)
 - Adjacent Channel Power (ACP) (隣接チャンネル漏洩電力)
 - Occupied Bandwidth (占有帯域幅)
 - IQ Data (IQ データ)
4. **Averaging Type** (平均化タイプ) で、返されるデータに適用される平均化を指定します。図 5 にスペクトル平均化のオプションの階層を示します。

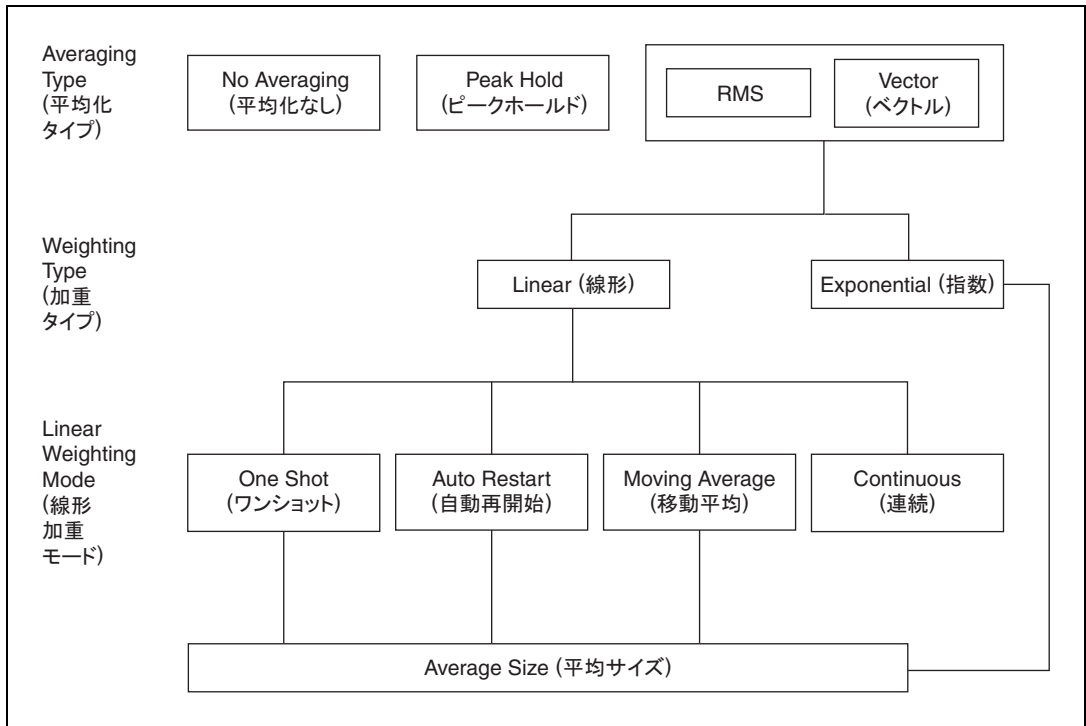


図 5 RFSA Demo Panel のスペクトル平均化のオプション

5. **Units** (単位) で、測定結果を返す単位を指定します。一般的に使用される単位が指定できます。

ハードウェアをプログラムの的に構成する

NI 5660 RF ベクトル信号アナライザハードウェアをデータ集録用にプログラムの的に構成するには、表 1 に示すように、2つの方式が使用できます。

表 1 RF ベクトル信号アナライザのプログラムの構成方式

プログラミング方式	利点	対応 ADE
ni5660 VI	上位レベルのアプリケーションプログラミングインタフェース (API) による使用の簡易化、両方の RF ベクトル信号アナライザハードウェアモジュールを単一の計測器として制御 一般的な周波数領域および I/Q の測定アプリケーションに対応	『NI RF 信号アナライザ README』を参照
スペクトル計測ツールキット、NI-SCOPE および NI-TUNER ドライバ	下位レベルのアプリケーションプログラミングインタフェース (API) による独自のアプリケーションに対する最大限の柔軟性 RF ダウンコンバータモジュールおよび IF デジタイザモジュールの計測器ドライバが提供する機能を最大限に活用可能	『NI RF 信号アナライザ README』を参照



メモ スペクトル計測ツールキットは、プログラミング方式にかかわらず、集録されたデータを測定するために使用します。

LabVIEW で RF ベクトル信号アナライザをプログラミングする

LabVIEW でのデータ集録用に RF ベクトル信号アナライザハードウェアをプログラムの的に構成するには、ni5660 VI を使用します。これらの VI は NI 5600 RF ダウンコンバータモジュールおよび NI 5620 IF デジタイザモジュールの両方を、周波数領域および I/Q データ集録用に単一の計測器として制御します。ni5660 VI は LabVIEW 関数パレットの **計測器 I/O → 計測器ドライバ → ni5660** にあります。

ni5660 LabVIEW VI のプログラミングフロー

ni5660 VI は、周波数領域集録プログラミングフローおよび I/Q 集録プログラミングフローの 2つのプログラミングフローを使用します。ni5660 VI を使用して構築したすべてのアプリケーションは、「ni5660 Initialize」VI と「ni5660 Close」VI を呼び出す必要があります。

周波数領域測定プログラミングフロー

ni5660 VI を使用してデータを集録し周波数領域測定を行うには、図 6 に示すようなプログラミングフローを使用します。周波数スペクトルを集録するには「ni5660 Configure for Spectrum」VI および「ni5660 Read Averaged Power Spectrum」VI を使用します。

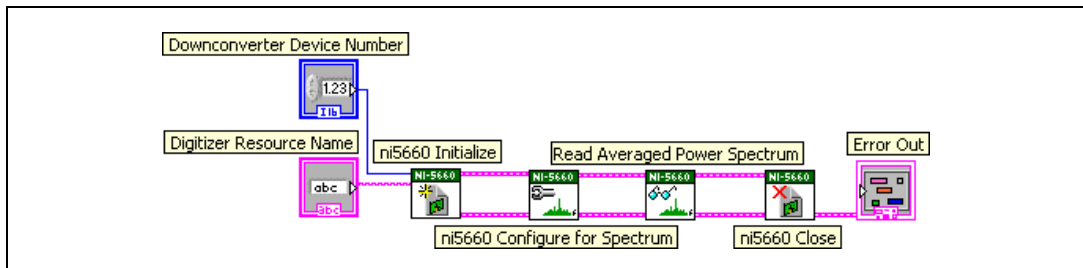


図 6 周波数スペクトルを集録する

I/Q 集録プログラミングフロー

I/Q データをシングルショットモードまたは連続モードで集録するには、図 7（シングルショット）および図 8（連続）のそれぞれに示すようなプログラミングフローを使用します。シングルショット I/Q データの集録時に「ni5660 Configure for IQ Settings」VI および「ni5660 Read IQ」VI を使用します。連続 I/Q データの集録時に「ni5660 Configure for IQ Settings」VI、「ni5660 Initiate IQ」VI、および「ni5660 Fetch IQ」VI を使用します。

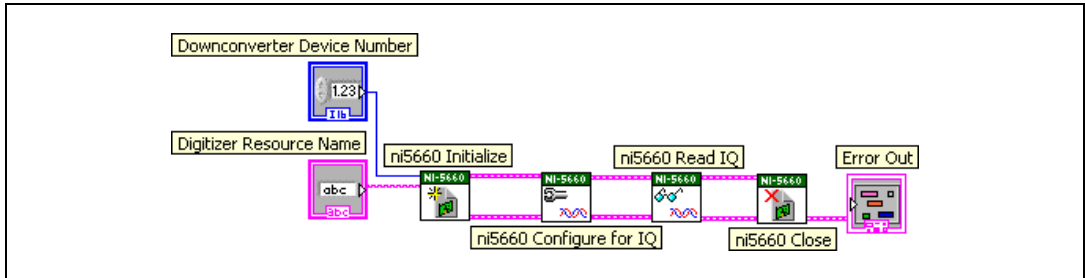


図 7 シングルショット I/Q データを集録する

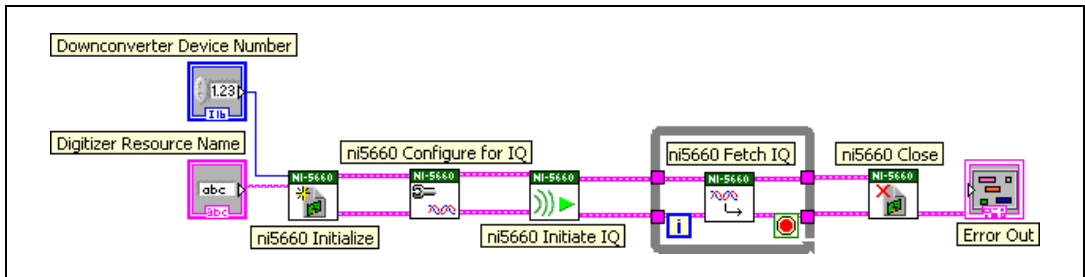


図 8 連続 I/Q データを集録する

LabVIEW のサンプルアプリケーション

LabVIEW で使用可能な ni5660 VI のサンプルアプリケーションが用意されています。これらのサンプルは、対話式ツール、プログラミングモデル、およびユーザ開発のアプリケーションで構成ブロックとしての使用を意図しています。

インストール済みのすべての ni5660 サンプルファイルは『NI RF 信号アナライザ Readme』に記述された保存場所にあります。

LabVIEW のサンプルにはモジュレーションツールキットなどの NI ツールキットソフトウェアと NI RF 信号発生器を NI RF ベクトル信号アナライザに統合する例があります。これらのサンプルおよびその詳細については、ni.com/examples の「NI Developer Zone」ウェブサイトを参照してください。

LabWindows/CVI および C で RF ベクトル信号アナライザをプログラミングする

LabWindows/CVI および C のユーザは RF ベクトル信号アナライザハードウェアモジュールを個別にプログラミングできます。これには、スペクトル計測ツールキットへの関数呼び出し、および RF ダウンコンバータモジュールと IF デジタイザモジュールの個々のドライバを使用します。以下のリストに各プログラムの役割を説明します。

- スペクトル計測ツールキットには、周波数領域測定および I/Q 測定用として RF ベクトル信号アナライザハードウェアのプログラミングに特化した関数が含まれています。
- NI-SCOPE 計測器ドライバは NI 5620 IF デジタイザモジュールの動作および RF ベクトル信号アナライザのトリガを制御します。
- NI-SCOPE およびトリガについての詳細は、**スタート→すべてのプログラム→National Instruments →NI-SCOPE →ドキュメント**から『NI 高速デジタイザヘルプ』を参照してください。
- NI-TUNER ドライバは NI 5600 RF ダウンコンバータモジュールを制御します。
NI-TUNER についての詳細は、**スタート→すべてのプログラム→National Instruments →NI-TUNER →Documentation** から『NI-TUNER Help』を参照してください。

図 9 に、NI-SCOPE および NI-TUNER のソフトウェアコンポーネントを示します。

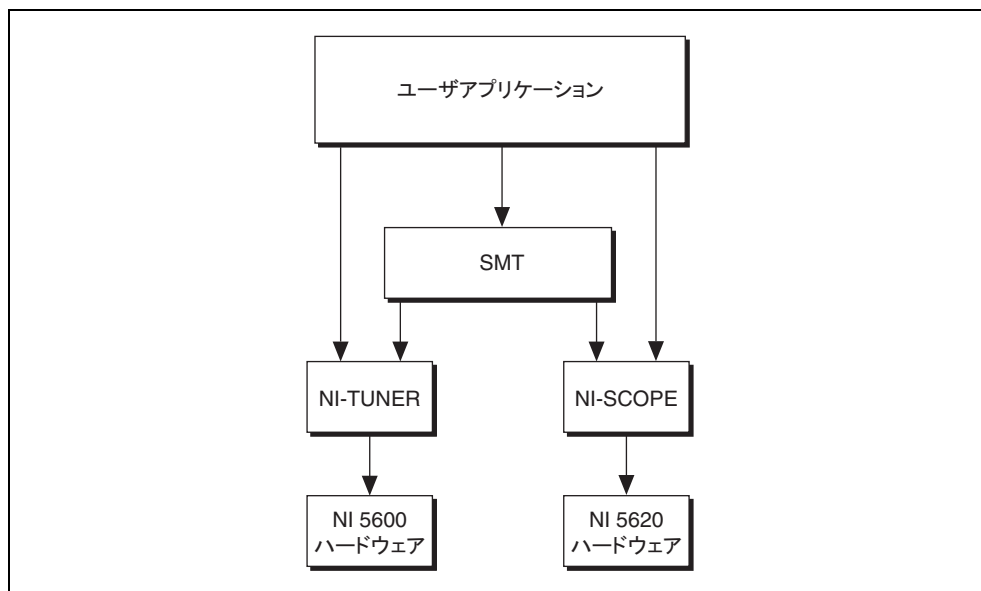


図 9 LabWindows/CVI および C のソフトウェアフロー



メモ RF ベクトル信号アナライザハードウェアをプログラマ的に操作する場合は、DAQ リソース名を使用して以下の構文で NI 5620 IF デジタイザモジュールを指定します。

DAQ: : デバイス番号

NI 5600 RF ダウンコンバータモジュールは修正キーなしの MAX デバイス番号で指定します。

スペクトル計測ツールキットの概要

NI では、スペクトル計測ツールキット（付属）やモジュレーションツールキットなどのアドオンソフトウェアツールキットを提供しています。これらを使用すると RF ベクトル信号アナライザの機能が拡張され、周波数領域測定および変調領域測定、アナログ変調された IF 信号の解析などが可能になります。



メモ RF ベクトル信号アナライザに同梱のスペクトル計測ツールキット CD をインストールする必要があります。スペクトル計測ツールキットは RF ベクトル信号アナライザを使用して変調信号を解析するために必要です。

RF ベクトル信号アナライザを使用して周波数領域解析、測定、集録データの表示を行うにはスペクトル計測ツールキット（SMT）VI およびその関数を使用します。SMT は以下を含む操作を行います。

- ズーム高速フーリエ変換（FFT）処理およびスペクトル平均化
- バンドパワー、隣接チャンネル漏洩電力、ピーク周波数および振幅などのスペクトル測定
- スペクトルの表示および解析
- 周波数領域測定用の RF ベクトル信号アナライザハードウェア構成

SMT VI および関数についての詳細な情報は、**スタート→すべてのプログラム→National Instruments→スペクトル計測**を選択してスペクトル計測ツールキットのドキュメントを参照してください。モジュレーションツールキットについての詳細は、ni.com/xf/software を参照してください。

LabWindows/CVI および C の SMT サンプルアプリケーション

スペクトル計測ツールキットには、RF ベクトル信号アナライザハードウェア用の LabWindows/CVI および C のサンプルが含まれています。スペクトル計測ツールキットのサンプルは**スタート→すべてのプログラム→National Instruments→Spectral Measurements→CVI Support**を選択して開くことができます。サンプルファイルは『NI RF 信号アナライザ README』に記述された保存場所にあります。

付録 A: ハードウェアフロントパネルのコネクタおよびインジケータ

このセクションでは、3つのRFベクトル信号アナライザハードウェアモジュールすべてのフロントパネルにあるコネクタやLEDインジケータについて説明します。NI 5622 IF デジタイザのフロントパネル上のPFI 1コネクタ以外のすべての入力端子および出力端子はACカプリングされています。



メモ 標準的なRFベクトル信号アナライザのハードウェアモジュールのフロントパネル相互接続については、図3「付属のNI 5660ケーブルを使用したデバイスの相互接続」を参照してください。

NI 5600 RF ダウンコンバータモジュール

図10に示すように、NI 5600 RF ダウンコンバータモジュールのフロントパネルには6つのコネクタと2個のLEDがあります。

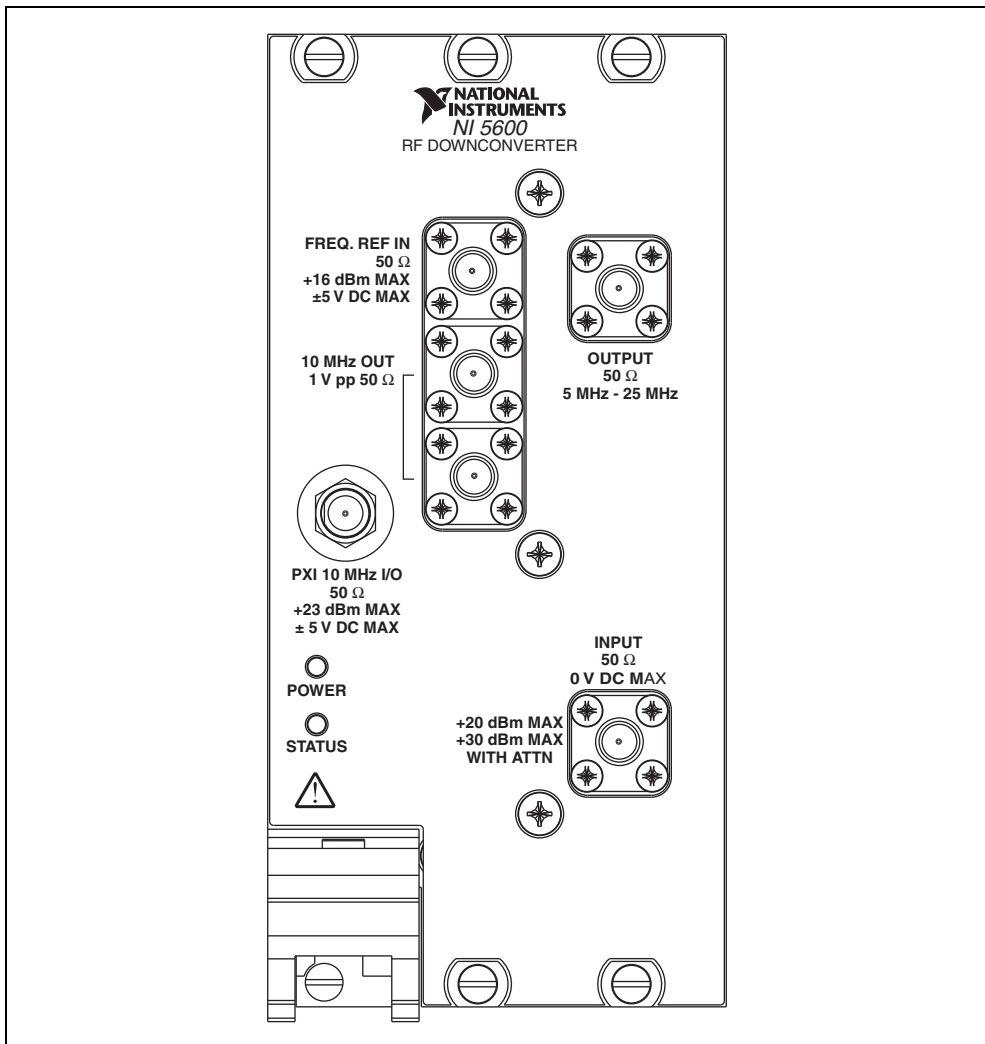


図 10 NI 5600 RF ダウンコンバータモジュールのフロントパネル



メモ PXI 10 MHz I/O コネクタは、NI 5600 RF ダウンコンバータモジュールが PXI スロット 2 に取り付けられている場合にのみ、基準クロック信号を PXI バックプレーンに経路接続するために使用できます。このコネクタは、いずれの NI 5600 PXI 取り付けスロットからも PXI 10 MHz バックプレーンクロックをエクスポートできます。基準クロック信号のエクスポート方法の詳細については、『NI PXI-5660 Help』を参照してください。

表 2 NI 5600 RF ダウンコンバータモジュールのフロントパネルのコネクタ

コネクタ	使用
FREQ REF IN	NI 5600 がロック可能な外部周波数基準信号を経路接続します。NI 5600 が PXI スロット 2 に取り付けられている場合、この信号を PXI バックプレーンに伝播できます。
10 MHz OUT	ダウンコンバータ 10 MHz 周波数基準信号の複製を生成します。これらの複製された信号はまた、他のデバイスを駆動する場合にも役立ちます。複製はそれぞれ互いに位相が 180 度ずれています。これらのコネクタの出力信号は常に出力されており、無効にすることはできません。
10 MHz OUT	下側の 10 MHz OUT コネクタを、NI 5620 モジュールのフロントパネル上の REF CLK IN コネクタまたは NI 5142 の CLK IN コネクタに接続します。
PXI 10 MHz I/O	PXI 10 MHz バックプレーンクロックとの双方向接続です。 NI 5600 が PXI スロット 2 に取り付けられている場合にのみ、PXI 10 MHz バックプレーンクロックを駆動するためにこのコネクタを使用できます。また、NI 5600 ダウンコンバータがいずれの PXI スロットに取り付けられている場合にも、PXI 10 MHz バックプレーンクロックをエクスポートするためにこのコネクタを使用できます。詳細はデバイスのヘルプファイルを参照してください。
OUTPUT	IF デジタイザモジュールのフロントパネル上の INPUT コネクタに接続します。このコネクタは周波数変換された IF 信号をデジタル化するための出力端子です。
INPUT	RF ベクトル信号アナライザで測定するアナログ RF 入力信号を接続します。

表 3 NI 5600 RF ダウンコンバータモジュールのフロントパネルの LED

LED	説明
POWER	<p>NI 5600 RF ダウンコンバータモジュールの基本的なハードウェア電源状態を表示します。この LED の機能はデジタイザモジュールのフロントパネルにある ACCESS LED と同じです。</p> <p>消灯 — モジュールの準備が整っていない状態、もしくは PXI の電源レールで問題が発生しています。</p> <p>緑色 — モジュールは正常に動作しており、電源が投入されています。</p>
STATUS	<p>NI 5600 RF ダウンコンバータモジュール PLL の状態を表示します。</p> <p>消灯 — モジュールが初期化されていないか、モジュールの PLL がロックの試行中です。</p> <p>緑色 — モジュールは準備完了状態です。適用する PLL はロックされています。</p>

NI 5620 IF デジタイザモジュール

図 11 に示すように、NI 5620 IF デジタイザモジュールのフロントパネルには 3 つのコネクタがあります。

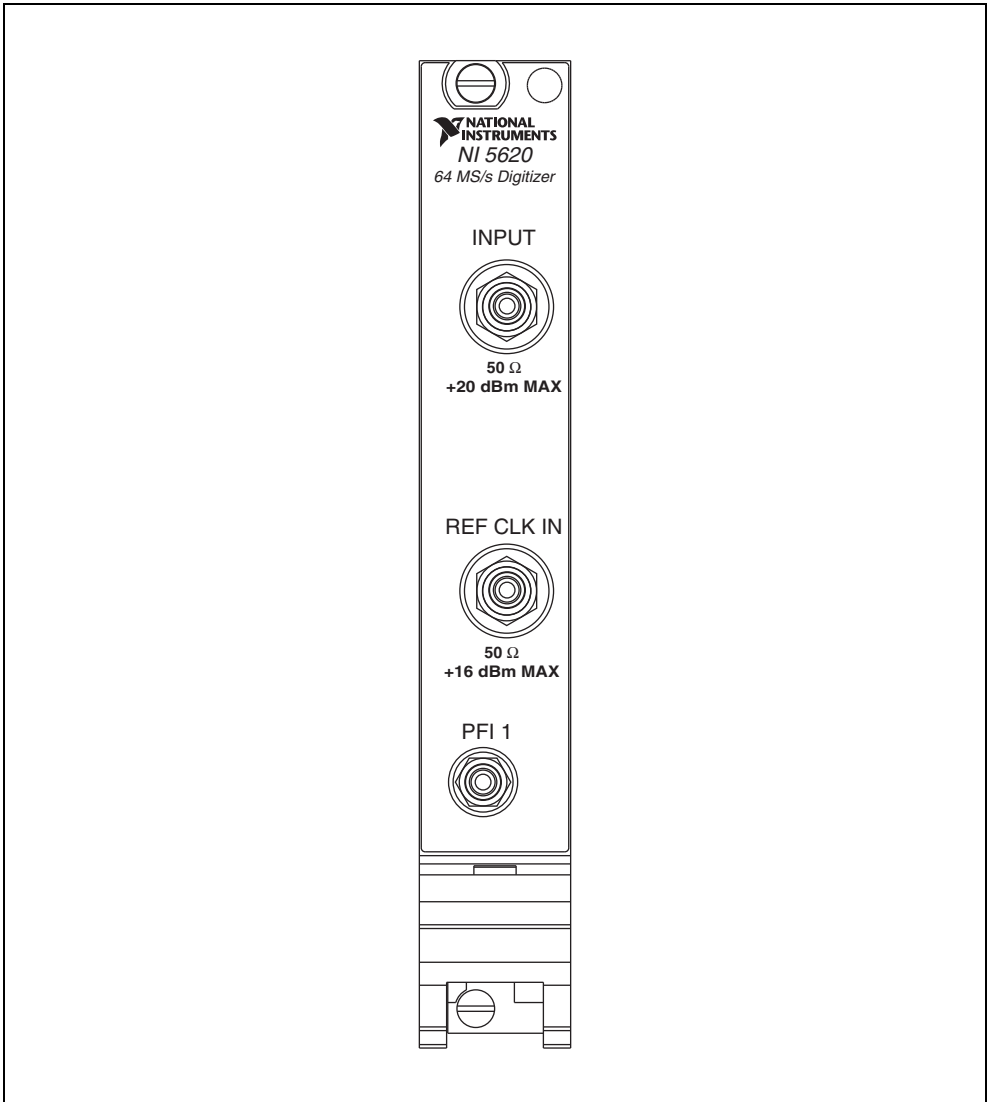


図 11 NI 5620 IF デジタイザモジュールのフロントパネル

表 4 NI 5620 IF デジタイザモジュールのフロントパネルのコネクタ

コネクタ	使用
INPUT	NI 5600 RF ダウンコンバータモジュールのフロントパネルにある OUTPUT コネクタに接続します。 このコネクタは、デジタル化および測定するために NI 5600 RF ダウンコンバータから周波数変換された IF 波形の入力端子です。
REF CLK IN	NI 5600 RF ダウンコンバータモジュールのフロントパネルにある下側の 10 MHz OUT コネクタに接続します。 このコネクタは NI 5600 内部基準クロック信号の入力端子です。
PFI 1	外部信号源からデジタルトリガを受信します。トリガの詳細については、『NI 高速デジタイザヘルプ』を参照してください。

付録 B: トラブルシューティング

このセクションでは、RF ベクトル信号アナライザのハードウェアの取り付けやソフトウェアのインストール、構成、および使用の際に発生する可能性がある問題について説明します。

取り付け

PXI シャーシの電源を入れても NI 5600 RF ダウンコンバータモジュールのフロントパネルの POWER LED が点灯しない

PXI シャーシの電源を投入しても POWER LED が点灯しない場合は、PXI の電源レール、ハードウェアモジュール、LED のいずれかに問題がある可能性があります。この問題のトラブルシューティングは、以下の手順で行ってください。

1. PXI シャーシの電源を切ります。
2. RF ベクトル信号アナライザハードウェアモジュール間のモジュールフロントパネル相互接続をすべて外します。
3. RF ベクトル信号アナライザハードウェアの両方のモジュールを取り外し、破損箇所がないか調べます。破損しているデバイスは再度取り付けないでください。
4. RF ベクトル信号アナライザハードウェアの両方のモジュールを元の PXI スロットとは別のスロットに取り付けます。お使いのデバイスの章に説明されている「PXI モジュールを取り付ける」の手順を使用します。
5. PXI シャーシの電源を投入します。
6. それでも POWER LED が点灯しないか、点灯しない状態が継続する場合は、NI 技術サポートまでお問い合わせいただくか、ウェブサイト ni.com/jp/support を参照してください。

ハードウェアモジュールが MAX で表示されない

いずれかの RF ベクトル信号アナライザハードウェアモジュールが MAX で表示されない場合は、以下の手順に従ってください。

1. MAX の構成ペーンで、**従来型 NI-DAQ (レガシー) デバイス**フォルダを展開します。
2. <F5> キーを押して、取り付けられているデバイスのリストを更新します。

- リストを更新してもいずれのモジュールも表示されない場合は、システムの電源を切り、RF ベクトル信号アナライザハードウェアが正しく取り付けられていることを確認し、システムを再起動します。それでもハードウェアが表示されない場合は、手順 4 に進んでください。
- Windows のコントロールパネルを開き、**システム→ハードウェア→デバイスマネージャ**を選択します。デバイスにより適切な手順に従ってセットアップを行います。
 - PXI コントローラをお使いの場合、**National Instruments** の項目がシステムデバイスのリストに表示されていることを確認します。エラー状態がリストに表示されている場合は、ドライバソフトウェアの再インストールおよび RF ベクトル信号アナライザハードウェアモジュールの再取り付けを行います。
 - MXI-3 コントローラをお使いの場合、**PCI-to-PCI Bridge** を右クリックし、ショートカットメニューから**プロパティ**を選択して、ブリッジが有効になっていることを確認します。
- それでも MAX にいずれのモジュールも表示されない場合は、NI 技術サポートまでお問い合わせいただくか、ウェブサイト ni.com/jp/support を参照してください。

RF ダウンコンバータモジュールがセルフテストに合格しない

MAX のセルフテストでは、デバイスリソースを確認します。セルフテストで NI 5600 が不合格になった場合は、以下の手順に従ってください。

- コンピュータを再起動します。
- MAX を起動し、再度セルフテストを実行します。
- お使いのデバイスの章の説明に従って、NI 5600 モジュールを別のスロットに再度取り付けます。
- 再度セルフテストを実行します。
- 上記の手順を行っても NI 5600 RF ダウンコンバータモジュールがセルフテストに合格しない場合は、NI 技術サポートまでお問い合わせいただくか、ウェブサイト ni.com/jp/support を参照してください。

IF デジタイザモジュールがセルフテストに合格しない

MAX のセルフテストでは、デバイスリソースを確認します。セルフテストで IF デジタイザが不合格になった場合は、以下の手順に従ってください。



- スタート→すべてのプログラム→National Instruments → Measurement & Automation** を選択するか、MAX のデスクトップアイコンをクリックして MAX を起動します。
- 取り付けられているデバイスのリストを表示するには、構成ペーンで**デバイスとインタフェース**をダブルクリックします。
- MAX で以下のいずれかのフォルダを展開します。
 - NI 5620 の場合は、**従来型 NI-DAQ (レガシー) デバイス**フォルダを展開します。NI 5600 RF ダウンコンバータおよび NI 5620 IF デジタイザモジュールを含む、取り付けられているデバイスのリストが表示されます。
 - IF デジタイザモジュールの名前を右クリックし、**プロパティ**を選択します。
 - 構成デバイスダイアログボックスが表示されます。**テストリソース**をクリックします。
 - 構成デバイスダイアログボックスで、**テストパネルを実行**を選択します。テストパネルは IF デジタイザモジュールの機能テストを実行します。

- NI 5142 または NI 5622 の場合は、**NI-DAQmx デバイス**フォルダを展開します。NI 5600/5601 RF ダウンコンバータモジュールおよび NI 5142/5622 IF デジタイザモジュールを含む、取り付けられているデバイスのリストが表示されます。
 - a. IF デジタイザモジュールの名前を右クリックし、**セルフテスト**を選択します。
4. **Start** ボタンをクリックしてテストパネルを実行します。
 5. テストパネルが正常に終了したら、**閉じる**をクリックします。
 6. 構成デバイスダイアログボックスで **OK** をクリックして MAX に戻ります。
 7. テストパネルが正常に終了しない場合は、NI 技術サポートまでお問い合わせいただくか、ウェブサイト ni.com/jp/support を参照してください。

構成

RF ベクトル信号アナライザが初期化されない

初期化されない場合は、モジュールの相互接続または MAX に問題がある可能性があります。RF ベクトル信号アナライザが初期化されない場合は、以下の手順に従ってください。

1. お使いのデバイスの章に従って、RF ベクトル信号アナライザハードウェアモジュールのフロントパネルのケーブルを確実に再接続してください。
2. システムの電源を投入し、「[7. NI 5660 を構成およびプログラミングする](#)」セクションに説明されている MAX 構成およびセルフテストの手順を実行します。
3. それでも問題が発生する場合は、NI 技術サポートまでお問い合わせいただくか、ウェブサイト ni.com/jp/support を参照してください。

NI 5600 RF ダウンコンバータの STATUS LED が点灯しない

RF ベクトル信号アナライザが外部基準信号源または PXI バックプレーンにロックされるようにプログラミングしているにもかかわらず STATUS LED が PLL のロック状態を表示しない場合は、以下の項目を確認してください。

- ケーブルが外部信号源または PXI 10 MHz I/O コネクタと FREQ REF IN コネクタを接続していることを確認します。
- 外部信号源からの信号が十分に大きい（通常、-10 dBm より大きい）ことを確認します。
- 外部信号源からの信号が指定の周波数確度以内にあることを確認します。

RF ベクトル信号アナライザが NI 5600 RF ダウンコンバータモジュールの内部タイムベースを使用するようにプログラミングされている場合は、以下の項目を確認してください。

- RF ベクトル信号アナライザが周波数を正しく測定しないか、信号が供給されているのにその信号を検出しない場合、1 つまたは複数の内部発振器が位相ロックされていません。
- RF ベクトル信号アナライザが周波数を正しく測定しているのに LED が点灯しない場合、ドライバソフトウェアのエラーまたは LED の破損の可能性があります。
- それでも問題が発生する場合は、NI 技術サポートまでお問い合わせいただくか、ウェブサイト ni.com/jp/support を参照してください。

NI 5620/5142 IF デジタイザモジュールが RF ダウンコンバータモジュールに位相ロックしない

IF デジタイザモジュールがフロントパネルを通じて NI 5600 RF ダウンコンバータモジュールの内部基準に位相ロックされるようにプログラミングしているにもかかわらず問題が発生する場合は、以下の項目を確認してください。

1. ケーブルに障害がないことを確認します。
2. NI 5600 10 MHz OUT フロントパネルコネクタから基準信号出力があることを確認します。
3. これらの出力端子に信号がない場合は、NI 技術サポートまでお問い合わせいただくか、ウェブサイト ni.com/jp/support を参照してください。

IF デジタイザモジュールが NI 5600 RF ダウンコンバータモジュールの内部基準により駆動されている PXI バックプレーンに位相ロックするようにプログラミングしているにもかかわらず問題が発生する場合は、以下の項目を確認してください。

- NI 5600 が、PXI コントローラスロットのすぐ隣にある PXI シャーシのスロット 2 に取り付けられていることを確認します。
- お使いのデバイスの章に説明されているように、PXI 10 MHz I/O コネクタが付属のケーブルで 10 MHz OUT コネクタの 1 つに確実に接続されていることを確認します。
- 「ni5660 Configure Reference Clock」VI の **drive backplane clock** パラメータが TRUE に設定されていることを確認します。

それでも問題やエラーが発生する場合は、NI 技術サポートまでお問い合わせいただくか、ウェブサイト ni.com/jp/support を参照してください。

測定

RF ベクトル信号アナライザを使用した測定についての詳細は、『NI PXI-5660 Help』を参照してください。

RF ベクトル信号アナライザの振幅の読み取り値が信号源と一致しない

RF ベクトル信号アナライザが振幅の正しい読み取り値を表示しない場合は、以下のエラーである可能性があります。

1. RF ベクトル信号アナライザと信号源の不一致がデバイスの誤差限度以内であるか、以下に従って確認します。
 - a. RF ベクトル信号アナライザの絶対振幅確度を確認します。
 - b. 信号源の出力レベル確度を確認します。
2. ケーブルでの損失を確認します。（この影響が大きい場合があります。）たとえば、RG58 同軸ケーブルでは 2 GHz での信号振幅の損失は 1 フィートあたり 2.1 dB です。高品質のケーブルを使用していない場合は、高周波信号を処理する時に損失が発生することを考慮してください。
3. NI スペクトル計測ツールキットの振幅キャリブレーション機能を必ず使用してください。キャリブレーション機能を使用しないと、振幅オーバーのエラーが発生することがあります。
4. それでもエラーが発生する場合は、NI 技術サポートまでお問い合わせいただくか、ウェブサイト ni.com/jp/support を参照してください。

技術サポートおよびプロフェッショナルサービス

技術サポートおよびその他のサービスについては、ナショナルインスツルメンツのウェブサイト (ni.com/jp) の下記のセクションを参照してください。

- **サポート** — 技術サポート (ni.com/jp/support) には以下のリソースがあります。
 - **セルフヘルプリソース** — 質問に対する回答やソリューションが必要な場合は、ナショナルインスツルメンツのウェブサイト (ni.com/jp/support) でソフトウェアドライバとアップデート、検索可能な技術サポートデータベース、製品マニュアル、トラブルシューティングウィザード、種類豊富なサンプルプログラム、チュートリアル、アプリケーションノート、計測器ドライバなどをご利用いただけます。ユーザ登録されたお客様は、NI ディスカッションフォーラム (ni.com/jp/dforum) にアクセスすることもできます。
 - **標準サポート・保守プログラム (SSP)** — NI のアプリケーションエンジニアによる電話または E メールでの個別サポート、サービスリソースセンターからのオンデマンドトレーニングモジュールのダウンロードが可能となるプログラムです。このプログラムには製品ご購入時にご加入いただき、その後 1 年ごとに契約更新してサービスを継続することができます。
その他の技術サポートオプションについては、ni.com/jp/services をご覧いただくか、ni.com/contact からお問い合わせください。
- **トレーニングと認定** — 自習形式のコースキットやインストラクタによる実践コースなどのトレーニングおよび認定プログラムについては、ni.com/jp/training を参照してください。
- **システムインテグレーション** — 時間の制約がある場合や社内の技術リソースが不足している場合、またはプロジェクトに関連する問題がある場合、ナショナルインスツルメンツのアライアンスパートナーによるサービスをご利用いただけます。詳しくは、NI 営業所にお電話いただくか、ni.com/jp/alliance をご覧ください。
- **適合宣言 (DoC)** — 適合宣言とは、適合宣言書によるさまざまな欧州閣僚理事会指令への適合宣言です。この制度により、電磁両立性 (EMC) に対するユーザ保護や製品の安全性に関する情報が提供されます。ご使用の製品の適合宣言は、ni.com/certification (英語) から入手できます。
- **校正証明書** — ご使用の製品でキャリブレーションがサポートされている場合、ni.com/calibration から Calibration Certificate (英語) を取得できます。

NI のウェブサイト (ni.com/jp) を検索しても問題が解決しない場合は、最寄りの営業所またはナショナルインスツルメンツ本社までお問い合わせください。各支社の電話番号は本書の冒頭に記載されています。また、弊社ウェブサイトの Worldwide Offices セクション (ni.com/niglobal (英語)) から各支社のウェブサイトにもアクセスすることもできます。各支社のサイトでは、お問い合わせ先、サポート電話番号、電子メールアドレス、現行のイベント等に関する最新情報を提供しています。

CVI, National Instruments, NI, ni.com, および LabVIEW は National Instruments Corporation (米国ナショナルインスツルメンツ社) の商標です。National Instruments の商標の詳細については、ni.com/legal の「Terms of Use」セクションを参照してください。The mark LabWindows is used under a license from Microsoft Corporation. Windows is a registered trademark of Microsoft Corporation in the United States and other countries. 本文中に記載されたその他の製品名および企業名は、それぞれの企業の商標または商号です。National Instruments の製品 / 技術を保護する特許については、ソフトウェアで参照できる特許情報 (**ヘルプ>特許情報**)、メディアに含まれている patents.txt ファイル、または「National Instruments Patent Notice」(ni.com/patents) のうち、該当するリソースから参照してください。