

COMPREHENSIVE SERVICES

We offer competitive repair and calibration services, as well as easily accessible documentation and free downloadable resources.

SELL YOUR SURPLUS

We buy new, used, decommissioned, and surplus parts from every NI series. We work out the best solution to suit your individual needs.

 Sell For Cash  Get Credit  Receive a Trade-In Deal

OBSOLETE NI HARDWARE IN STOCK & READY TO SHIP

We stock **New**, **New Surplus**, **Refurbished**, and **Reconditioned** NI Hardware.



Bridging the gap between the manufacturer and your legacy test system.

 1-800-915-6216

 www.apexwaves.com

 sales@apexwaves.com

All trademarks, brands, and brand names are the property of their respective owners.

Request a Quote

 **CLICK HERE**

PXI-1045

INSTALLATION GUIDE

18-Slot PXI Backplane

This guide describes installation requirements for the 18-slot PXI backplane, shown in Figure 1.

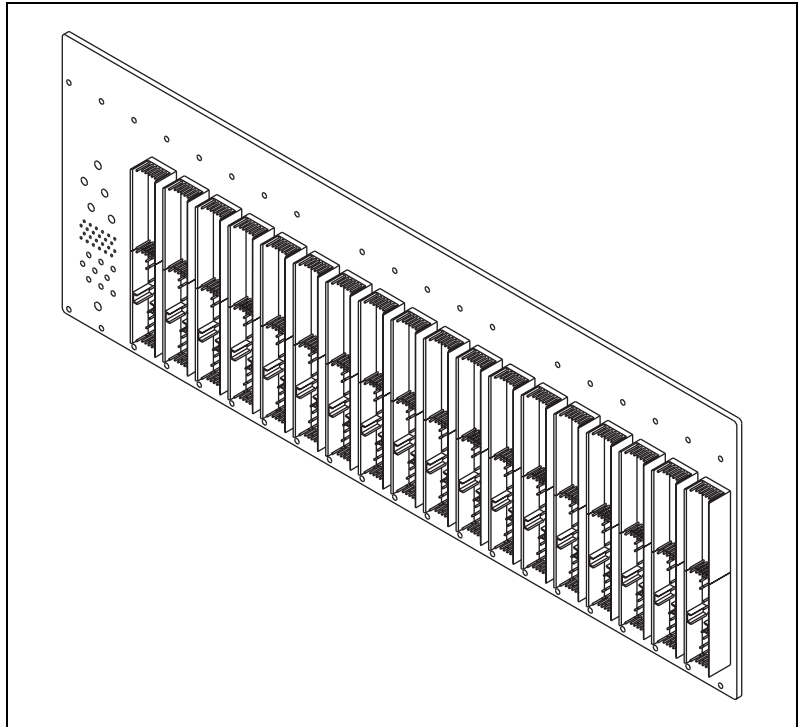


Figure 1. 18-Slot PXI Backplane

Description

The 18-slot PXI backplane contains one PXI controller slot and 17 PXI peripheral slots. It does not include a power supply or cooling solution. You must implement these features when installing the backplane into your system.

The 18-slot backplane supports distribution of current to all peripherals as specified in the PXI specification.

For power requirements, refer to the PXI specification and/or data sheets for PXI peripherals installed in the backplane.

Mechanical Requirements

Mounting

Figure 2 shows the backplane dimensions. There are 40 holes available for mounting with M2.5 hardware.

The use of all mounting holes is recommended for proper backplane support.

There are four mounting holes on top of the 18-slot PXI backplane that have plated annular pads on the front and back of the backplane. (Refer to Figure 3 for the mounting hole locations.) These mounting holes may be used to connect the backplane ground to the chassis in which the backplane is mounted. If you do not desire to connect backplane ground to the chassis, use insulated washers at these mounting holes.

Cooling



Note National Instruments is not responsible for damage to the backplane if inadequate cooling is used.

You should mount a fan below the backplane. Airflow should be from the bottom to the top of the PXI modules. You must determine the airflow requirements for your system based on the *PXI Hardware Specification*.

Handling



Cautions Be careful to avoid bending or otherwise damaging the pins on the backplane connectors. Bent pins may cause functional failures or damage when the backplane is powered.

To protect both yourself and the backplane from electrical hazards, leave the chassis powered off until you finish installing the PXI controller and modules.



Caution Electrostatic discharge can damage your equipment. To avoid such damage, discharge the static built up on your body by touching a grounded metal object before handling the PXI equipment. Then touch the antistatic plastic package containing the backplane to a metal part of your PXI chassis before removing the backplane from the packaging.

Dimensions

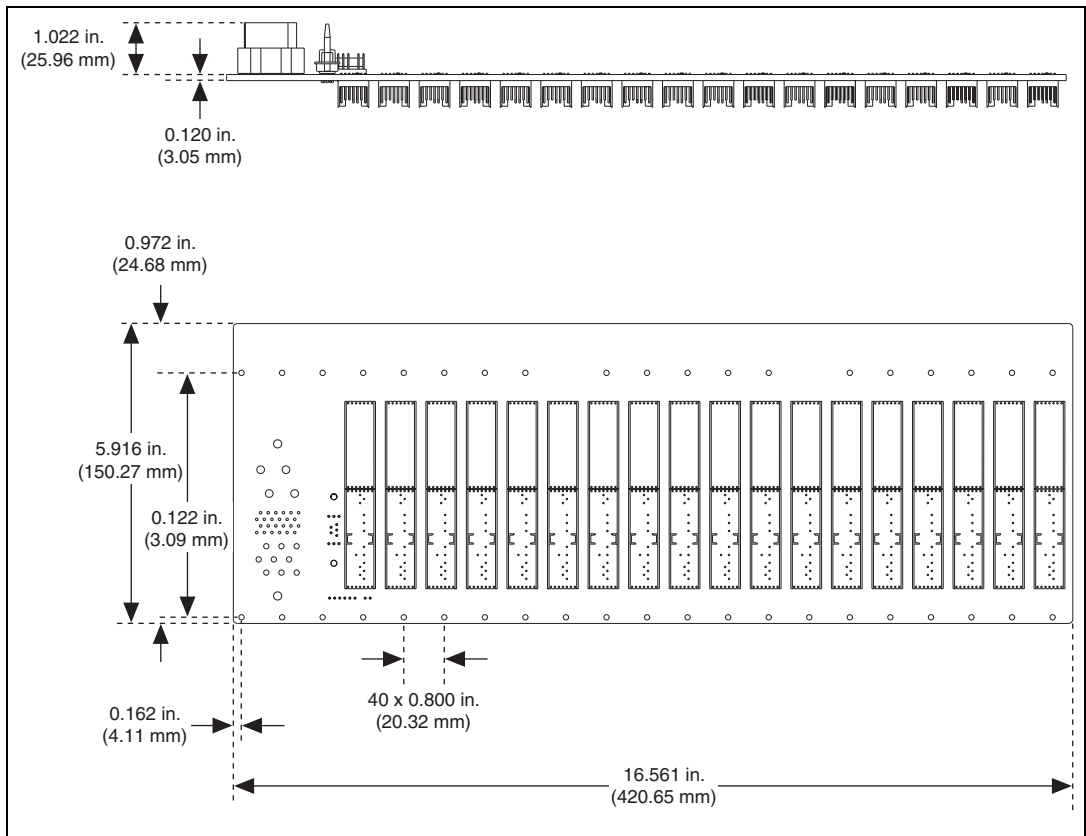


Figure 2. Dimensions

Electrical Requirements

PXI Connectors

The PXI connectors have pin descriptions defined in the *PXI hardware Specification*. The connectors are shown in Figure 3.

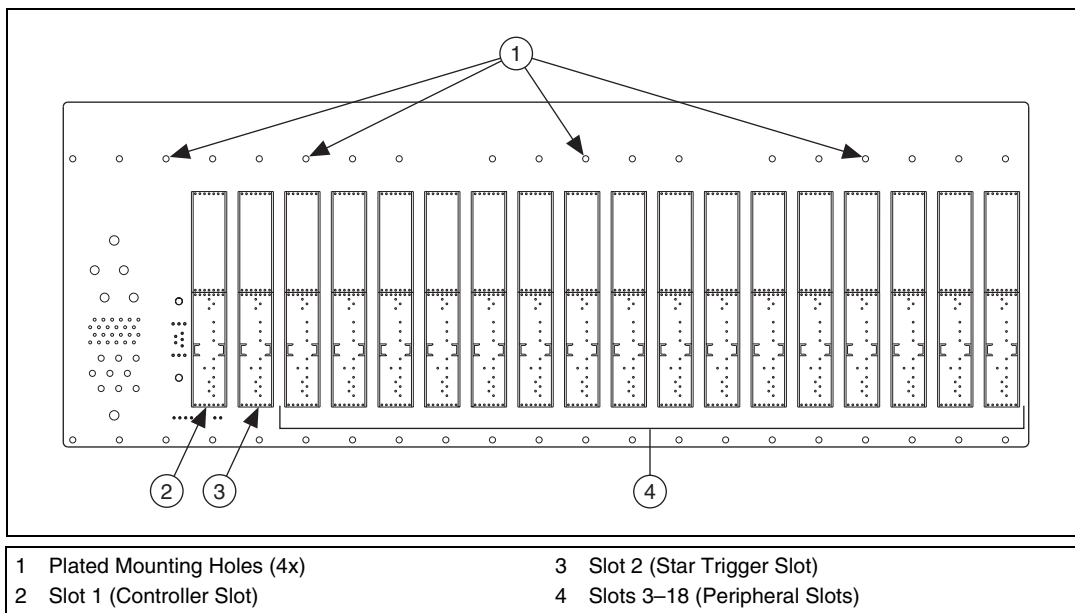


Figure 3. PXI Connectors

System Reference Clock

The 18-slot Backplane supplies the PXI 10 MHz system clock signal (PXI_CLK10) independently to each peripheral slot. An independent buffer (having a source impedance matched to the backplane and a skew of less than 250 ps between slots) drives the clock signal to each peripheral slot. You can use this common reference clock signal to synchronize multiple modules in a measurement or control system. You can drive PXI_CLK10 from an external source through the PXI_CLK10_IN pin on the P2 connector of the Star Trigger Slot or 10 MHz IN pin on the J40 connector. Refer to Figure 3 for the Star Trigger Slot location. Refer to Figure 4 for the J40 connector location. Refer to the *PXI Specification* for the Pinout for the Star Trigger Slot. Sourcing an external clock on either of these pins automatically replaces the backplane's 10 MHz source.

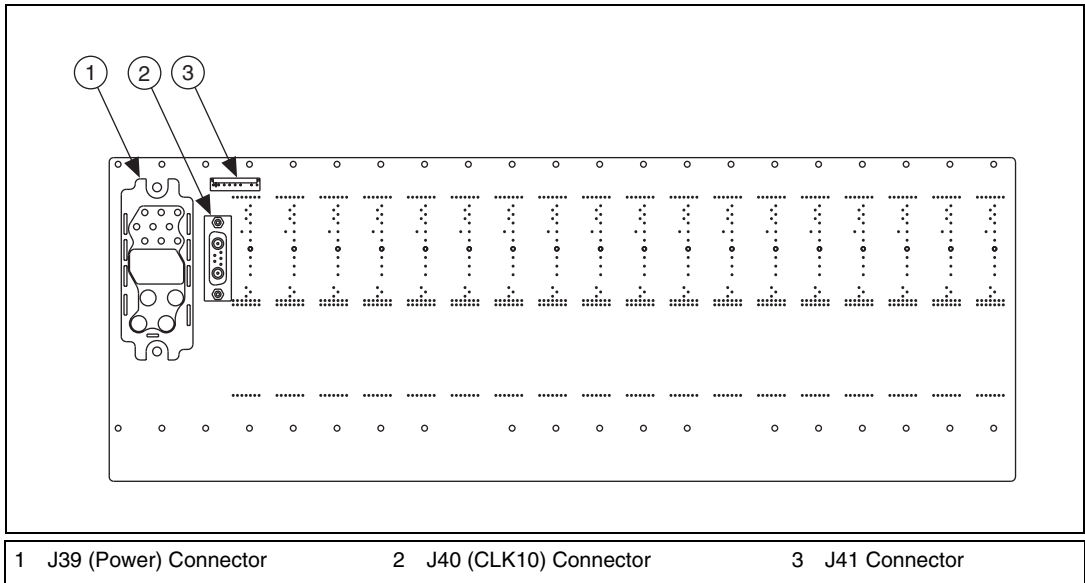


Figure 4. Backplane Power and CLK10 Connectors

Power

Please refer to the *PXI Hardware Specification* for power requirements and to the specifications of the chosen power supply to determine the minimum load required.

Connector J39

Connector J39 is the power supply connector for the 18-slot backplane. The location of the J39 connector is shown in Figure 4. Refer to Table 1 for the pin descriptions. The mating connector for J39 is manufactured by Tyco Electronics, and can be ordered with the part number 6648167-1.



Note The system slot (slot 1) receives +12 V power from pin 17 of J39. If this pin is not connected to +12 V the system controller will not function properly.

Table 1. Connector J39 Pin Descriptions

Connector	Pin	Signal	Description	Required for Basic Power-up
	1	+5 V	Backplane +5 V power plane.	Yes
	2	GND	Backplane ground plane.	Yes
	3	+5 V	Backplane +5 V power plane.	Yes
	4	GND	Backplane ground plane.	Yes
	5	+12 V	Backplane +12 V power plane.	Yes
	6	GND	Backplane ground plane.	Yes
	7	-12 V	Backplane -12 V power plane.	Yes
	8	GND	Backplane ground plane.	Yes
	9	GND	Backplane ground plane.	Yes
	10	+12V_SENSE	Connect to power supply sense if needed. Do not use for carrying current.	Yes
	11	+12V_SENSE_RTN	Connect to power supply sense if needed. Do not use for carrying current.	Yes
	12	-12V_SENSE	Connect to power supply sense if needed. Do not use for carrying current.	Yes
	13	-12V_SENSE_RTN	Connect to power supply sense if needed. Do not use for carrying current.	Yes
	14	INHIBIT	Connects to pin 7 of J41.	No
	15	GND	Backplane ground plane.	Yes
	16	LED1	Connects to pin 5 of J41.	No
	17	LED2	Connects to pin 8 of J41.	No
	18	+5V_SENSE	Connect to power supply sense if needed. Do not use for carrying current.	Yes
	19	+5V_SENSE_RTN	Connect to power supply sense if needed. Do not use for carrying current.	Yes
	20	THERM1 (optional)	Connects to pin 2 of J41.	No
	21	THERM2 (optional)	Connects to pin 1 of J41.	No
	22	SM_SCL	Connects to pin D19 on J2 (slot 1).	No
	23	SM_SDA	Connects to pin C19 on J2 (slot 1).	No
	24	SM_ALERT#	Connects to pin E19 on J2 (slot 1).	No
	25	+3.3V_SENSE	Connect to power supply sense if needed. Do not use for carrying current.	Yes

Table 1. Connector J39 Pin Descriptions (Continued)

Connector	Pin	Signal	Description	Required for Basic Power-up
	26	+3.3V_SENSE_RTN	Connect to power supply sense if needed. Do not use for carrying current.	Yes
	27	NC	—	—
	28	NC	—	—
	29	I2C_SDA	Connects through R34 to pin A2 of J9.	No
	30	I2C_SCL	Connects through R34 to pin A2 of J9.	No
	31	+12V_FAN	Separate +12 V for slot 1.	Yes
	32	GND	Backplane ground plane.	Yes
	33	NC	—	—
	34	GND	Backplane ground plane.	Yes
	35	GND	Backplane ground plane.	Yes
	36	+3.3 V	Backplane +3.3 V power plane.	Yes
	37	+5 V	Backplane +5 V power plane.	Yes

Connector J40

Connector J40 is for interfacing with the backplane's PXI_CLK10 circuitry. The location of the J40 connector is shown in Figure 4. The mating connector for J40 is manufactured by Positronic and can be ordered with the part number CBD7W2M2000Z-759.1.

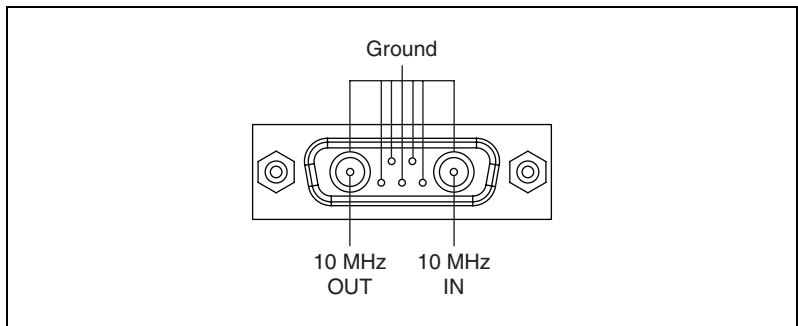
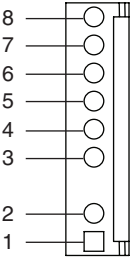


Figure 5. J40 Connector

Connector J41

Connector J41 may be used in conjunction with J39 for interfacing with an inhibit switch, LED, and thermistor. It is not necessary to connect to J41 for basic power-up of the backplane. Refer to Table 2 for the pin descriptions. The mating connector for pins 1–6 of J41 is manufactured by Molex and can be ordered with the part number 22-01-2067.

Table 2. Connector J41 Pin Descriptions

Connector	Pin	Signal	Description
	1	THERM2	Connects to pin 11 of J39
	2	THERM1	Connects to pin 10 of J39
	3	(No Pin)	—
	4	NC	Not connected.
	5	LED1	Connects to pin 6 of J39.
	6	+5V	Connects to backplane's +5V power plane.
	7	INH	Connects to pin 5 of J39.
	8	LED2	Connects to pin 4 of J39.
	9	GND	Connects to backplane's ground plane.

Backplane

Size3U-sized; one system slot (with three system expansion slots) and 17 peripheral slots.
 Compliant with IEEE 1101.10 mechanical packaging.
 PXI Specification Revision 2.2 compliant. Accepts both PXI and CompactPCI (PICMG 2.0 R 3.0) 3U modules.

Backplane bare-board materialUL 94 V-0 Recognized

Backplane connectorsConforms to IEC 917 and IEC 1076-4-101, and are UL 94 V-0 rated

10 MHz System Reference Clock (PXI_CLK10)

Maximum clock skew
between slots 250 ps

Built-in 10 MHz clock

Accuracy ± 25 ppm (guaranteed over the
operating temperature range)
Maximum jitter 5 ps RMS in 10 Hz to 1 MHz
range

External clock sources

Connectors Connector J40 on rear of
backplane (ground referenced) or
Slot 2 J2 (pin D17)

Input frequency 10 MHz ± 100 ppm or better

Input amplitude

Rear connector 200 mV_{pp} to 5 V_{pp}, 10 MHz
squarewave or sinewave

Slot 2 5 V or 3.3 V, 10 MHz TTL signal

Input impedance $50 \Omega \pm 5 \Omega$ (rear connector)

Maximum jitter introduced

by backplane circuitry 1 ps RMS in 10 Hz to 1 MHz
range

External clock output

Connector Connector J40 on rear of
backplane (ground-referenced)

Output amplitude 1 V_{pp} $\pm 20\%$ squarewave into 50Ω
2 V_{pp} into open circuit

Output impedance $50 \Omega \pm 5 \Omega$

National Instruments, NI, ni.com, and LabVIEW are trademarks of National Instruments Corporation. Refer to the *Terms of Use* section on ni.com/legal for more information about National Instruments trademarks. Other product and company names mentioned herein are trademarks or trade names of their respective companies. For patents covering National Instruments products/technology, refer to the appropriate location: **Help»Patents** in your software, the `patents.txt` file on your media, or the *National Instruments Patent Notice* at ni.com/patents.