

## COMPREHENSIVE SERVICES

We offer competitive repair and calibration services, as well as easily accessible documentation and free downloadable resources.

## SELL YOUR SURPLUS

We buy new, used, decommissioned, and surplus parts from every NI series. We work out the best solution to suit your individual needs.

 Sell For Cash    Get Credit    Receive a Trade-In Deal

## OBSOLETE NI HARDWARE IN STOCK & READY TO SHIP

We stock **New**, **New Surplus**, **Refurbished**, and **Reconditioned** NI Hardware.



*Bridging the gap between the manufacturer and your legacy test system.*

 1-800-915-6216

 [www.apexwaves.com](http://www.apexwaves.com)

 [sales@apexwaves.com](mailto:sales@apexwaves.com)

*All trademarks, brands, and brand names are the property of their respective owners.*

**Request a Quote**

 **CLICK HERE**

**cRIO-9101**

# INSTALLATION INSTRUCTIONS

# NI 9910 Rack Mounting Kit

Français    Deutsch    日本語    한국어    简体中文  
[ni.com/manuals](http://ni.com/manuals)

The National Instruments 9910 rack mounting kit is an accessory you can use to mount a CompactRIO or CompactDAQ chassis on a standard 19-inch rack. You can use the NI 9910 rack mounting kit to mount one eight-slot chassis or two four-slot chassis.

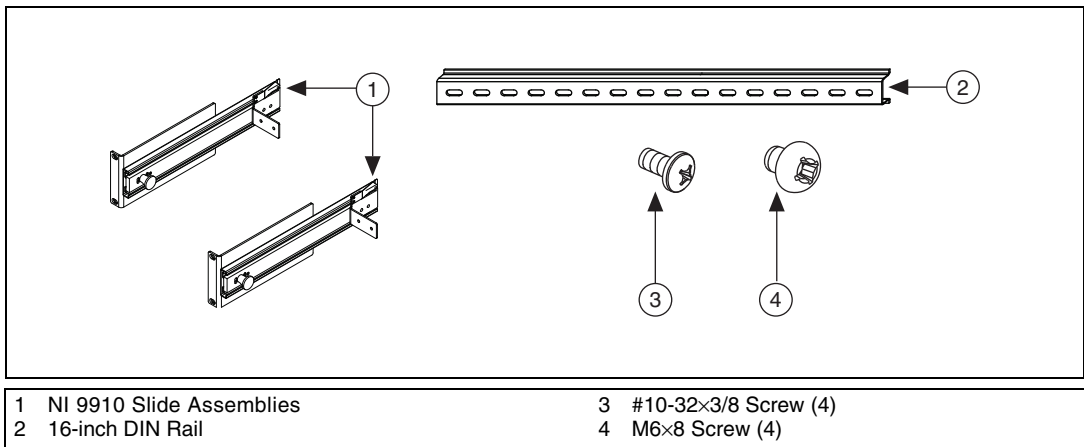


**Note** You need an NI DIN rail mounting kit to use the NI 9910 rack mounting kit. You need one DIN rail mounting kit for each chassis you mount. Refer to the chassis documentation for information about which NI DIN rail mounting kit is compatible with your chassis.



**Note** You need a #2 Phillips screwdriver to install the NI 9910.

The NI 9910 rack mounting kit contains the following components:



**Figure 1.** Components of the NI 9910 Rack Mounting Kit

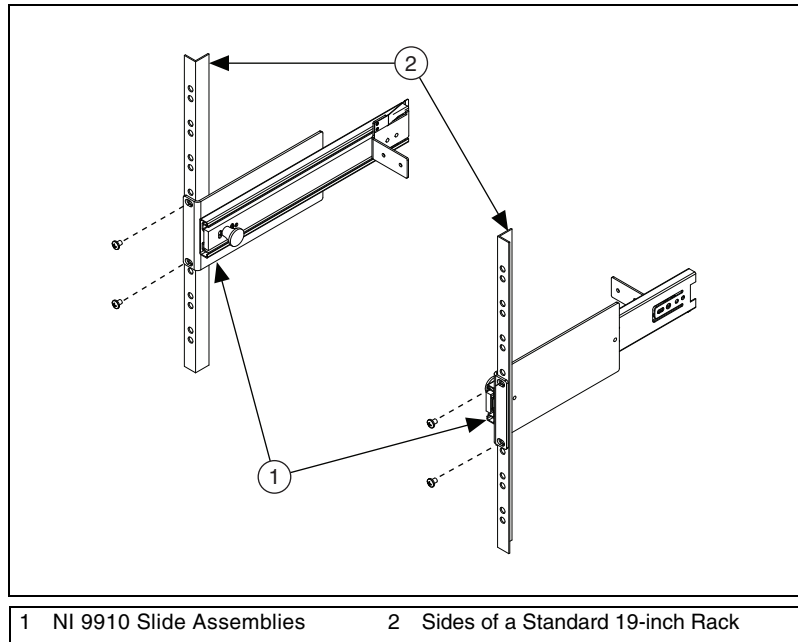
# Installing the Rack Mounting Kit

Complete the following steps to install the NI 9910 rack mounting kit on a standard 19-inch rack:

1. Use a #2 Phillips screwdriver and the four #10-32×3/8 screws to attach the two slide assemblies of the NI 9910 to a standard 19-inch rack, as shown in Figure 2. The NI 9910 slide assemblies are symmetric, allowing each to be mounted on the left or right side of the rack.

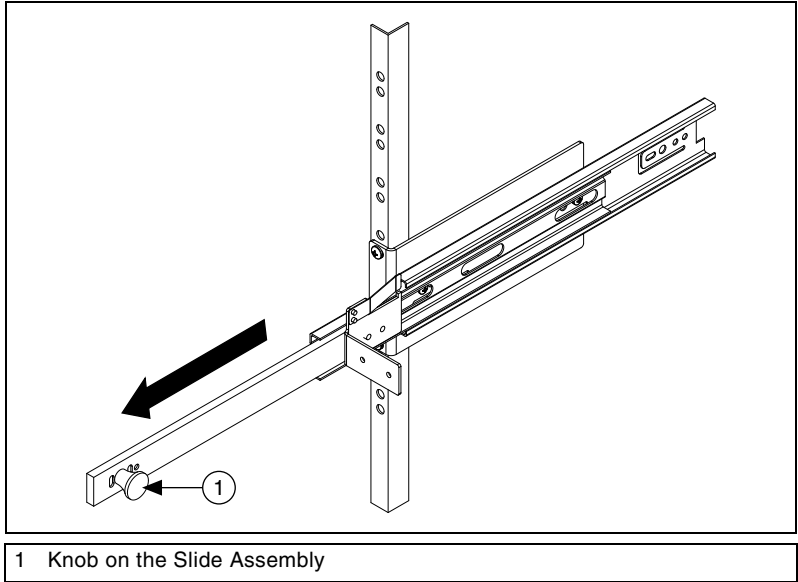


**Note** Do not overtighten the screws. You may need to adjust the screws when assembly is complete.



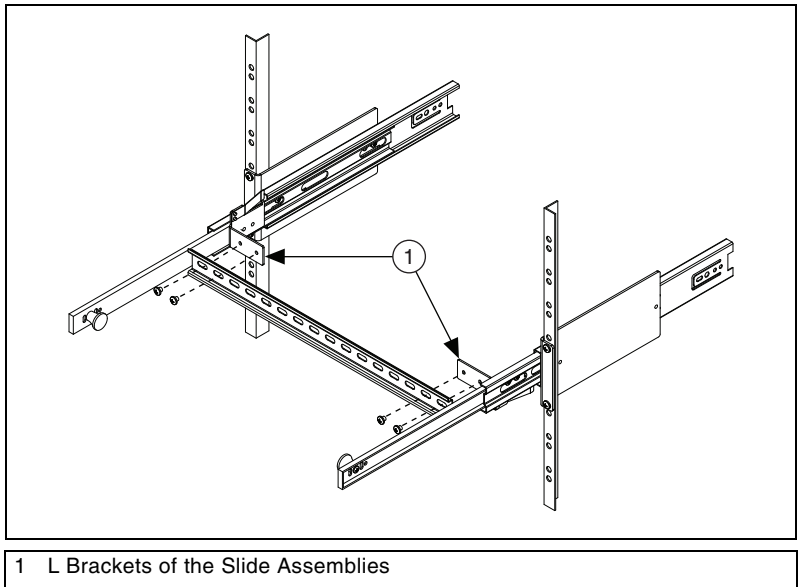
**Figure 2.** Attaching the Slide Assemblies to a Standard 19-inch Rack

- Use the knobs on the slide assemblies to pull the slides forward until they lock, as shown in Figure 3.



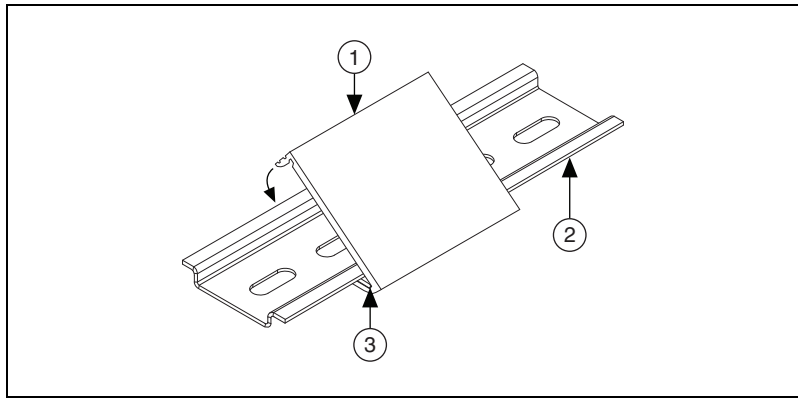
**Figure 3.** Locking a Slide Assembly

- Use a #2 Phillips screwdriver and the four M6×8 screws to attach the DIN rail to the L brackets on the slide assemblies, as shown in Figure 4.



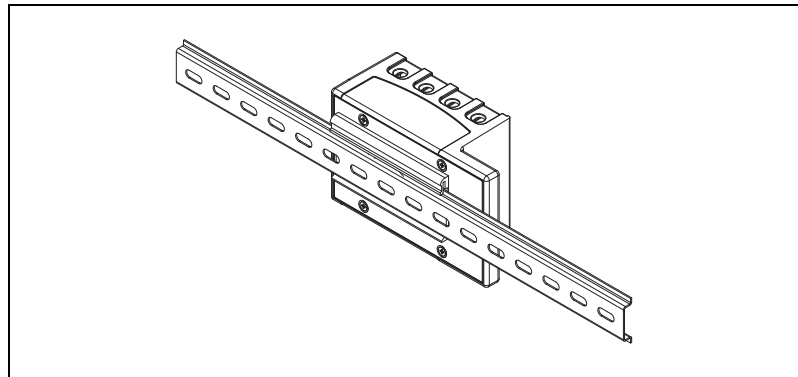
**Figure 4.** Mounting the DIN Rail to the L Brackets of the Slide Assemblies

4. Following the instructions in the chassis documentation, fasten the DIN rail clip in the NI DIN rail mounting kit to the chassis.
5. Clip the chassis and DIN rail clip assembly to the DIN rail, as shown in Figures 5 and 6.



1 DIN Rail Clip	2 DIN Rail Spring	3 DIN Rail
-----------------	-------------------	------------

**Figure 5.** Attaching the DIN Rail Clip to the DIN Rail

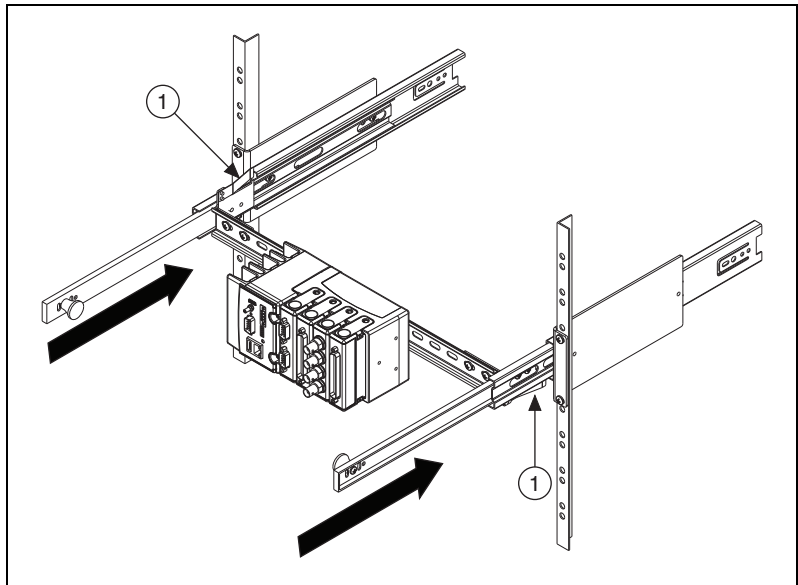


**Figure 6.** Chassis Mounted on a DIN Rail

6. Press the release tabs on the slide assemblies and push the slides back into the rack. The release tabs are located on the top of the left slide assembly and on the bottom of the right slide assembly, as shown in Figure 7. A friction detent holds the slides in the closed position.



**Tip** If the slides do not move freely, slightly loosen the screws you attached in step 1.



1 Slide Assembly Release Tabs

**Figure 7.** Pushing the Slide Assemblies into the Rack

## Environmental Management

NI is committed to designing and manufacturing products in an environmentally responsible manner. NI recognizes that eliminating certain hazardous substances from our products is beneficial to the environment and to NI customers.

For additional environmental information, refer to the *Minimize Our Environmental Impact* web page at [ni.com/environment](http://ni.com/environment). This page contains the environmental regulations and directives with which NI complies, as well as other environmental information not included in this document.

## Waste Electrical and Electronic Equipment (WEEE)



**EU Customers** At the end of the product life cycle, all products *must* be sent to a WEEE recycling center. For more information about WEEE recycling centers, National Instruments WEEE initiatives, and compliance with WEEE Directive 2002/96/EC on Waste and Electronic Equipment, visit [ni.com/environment/weee](http://ni.com/environment/weee).

## 电子信息产品污染控制管理办法（中国 RoHS）



**中国客户** National Instruments 符合中国电子信息产品中限制使用某些有害物质指令 (RoHS)。关于 National Instruments 中国 RoHS 合规性信息, 请登录 [ni.com/environment/rohs\\_china](http://ni.com/environment/rohs_china)。(For information about China RoHS compliance, go to [ni.com/environment/rohs\\_china](http://ni.com/environment/rohs_china).)

## Worldwide Support and Services

The National Instruments website is your complete resource for technical support. At [ni.com/support](http://ni.com/support) you have access to everything from troubleshooting and application development self-help resources to email and phone assistance from NI Application Engineers.

Visit [ni.com/services](http://ni.com/services) for NI Factory Installation Services, repairs, extended warranty, and other services.

Visit [ni.com/register](http://ni.com/register) to register your National Instruments product. Product registration facilitates technical support and ensures that you receive important information updates from NI.

A Declaration of Conformity (DoC) is our claim of compliance with the Council of the European Communities using the manufacturer's declaration of conformity. This system affords the user protection for electromagnetic compatibility (EMC) and product safety. You can obtain the DoC for your product by visiting [ni.com/certification](http://ni.com/certification). If your product supports calibration, you can obtain the calibration certificate for your product at [ni.com/calibration](http://ni.com/calibration).

National Instruments corporate headquarters is located at 11500 North Mopac Expressway, Austin, Texas, 78759-3504. National Instruments also has offices located around the world. For telephone support in the United States, create your service request at [ni.com/support](http://ni.com/support) or dial 512 795 8248. For telephone support outside the United States, visit the Worldwide Offices section of [ni.com/niglobal](http://ni.com/niglobal) to access the branch office websites, which provide up-to-date contact information, support phone numbers, email addresses, and current events.

Refer to the *NI Trademarks and Logo Guidelines* at [ni.com/trademarks](http://ni.com/trademarks) for more information on National Instruments trademarks. Other product and company names mentioned herein are trademarks or trade names of their respective companies. For patents covering National Instruments products/technology, refer to the appropriate location: **Help»Patents** in your software, the `patents.txt` file on your media, or the *National Instruments Patents Notice* at [ni.com/patents](http://ni.com/patents). You can find information about end-user license agreements (EULAs) and third-party legal notices in the `readme` file for your NI product. Refer to the *Export Compliance Information* at [ni.com/legal/export-compliance](http://ni.com/legal/export-compliance) for the National Instruments global trade compliance policy and how to obtain relevant HTS codes, ECCNs, and other import/export data.