

## COMPREHENSIVE SERVICES

We offer competitive repair and calibration services, as well as easily accessible documentation and free downloadable resources.

## SELL YOUR SURPLUS

We buy new, used, decommissioned, and surplus parts from every NI series. We work out the best solution to suit your individual needs.

 Sell For Cash  Get Credit  Receive a Trade-In Deal

## OBSOLETE NI HARDWARE IN STOCK & READY TO SHIP

We stock **New**, **New Surplus**, **Refurbished**, and **Reconditioned** NI Hardware.



*Bridging the gap between the manufacturer and your legacy test system.*

 1-800-915-6216

 [www.apexwaves.com](http://www.apexwaves.com)

 [sales@apexwaves.com](mailto:sales@apexwaves.com)

*All trademarks, brands, and brand names are the property of their respective owners.*

**Request a Quote**

 **CLICK HERE**

**PCI-6230**

## DEVICE SPECIFICATIONS

# NI 6230

M Series Data Acquisition: 16-Bit, 250 kS/s, 8 AI, 4 AO, 6 DI, 4 DO, Voltage Input/Output, Bank Isolation

The following specifications are typical at 25 °C, unless otherwise noted. For more information about the NI 6230, refer to the *NI 6230 User Manual* available at [ni.com/manuals](http://ni.com/manuals).

## Analog Input

Number of channels	4 differential or 8 single ended
Channel type	Voltage input
ADC resolution	16 bits
DNL	No missing codes guaranteed
INL	Refer to the <i>AI Absolute Accuracy</i> section
Sample rate	
Single channel maximum	250 kS/s
Minimum	0 S/s
Timing resolution	50 ns
Timing accuracy	50 ppm of sample rate
Input coupling	DC
Input range	$\pm 0.2$ V, $\pm 1$ V, $\pm 5$ V, $\pm 10$ V
Maximum working voltage for analog inputs	Refer to the <i>Maximum Working Voltage</i> section
CMRR (DC to 60 Hz)	95 dB (with respect to AI GND)
Input impedance	
Device on	
AI+ to AI GND	>10 G $\Omega$ in parallel with 100 pF
AI- to AI GND	>10 G $\Omega$ in parallel with 100 pF

Device off	
AI+ to AI GND	820 $\Omega$
AI- to AI GND	820 $\Omega$
Input bias current	$\pm 100$ pA
Crosstalk (at 100 kHz)	
Adjacent channels	-75 dB
Non-adjacent channels	-90 dB
Small signal bandwidth (-3 dB)	700 kHz
Input FIFO size	4,095 samples
Scan list memory	4,095 entries
Data transfers	DMA (scatter-gather), interrupts, programmed I/O
Overvoltage protection (AI <0..7> with respect to AI GND)	
Device on	$\pm 25$ V for up to two AI pins
Device off	$\pm 15$ V for up to two AI pins
Input current during overvoltage condition	$\pm 20$ mA maximum/AI pin

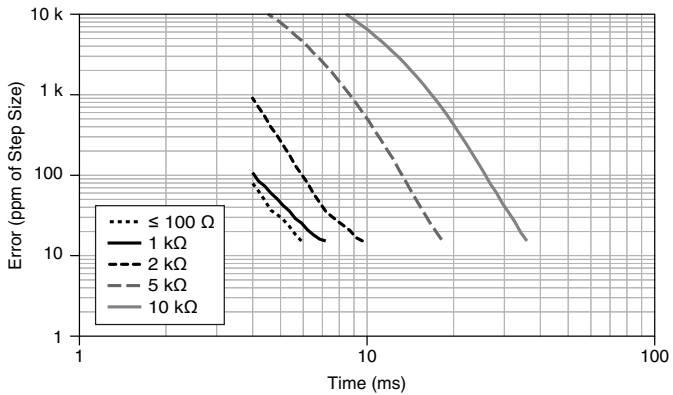
## Settling Time for Multichannel Measurements

Accuracy, full scale step, all ranges

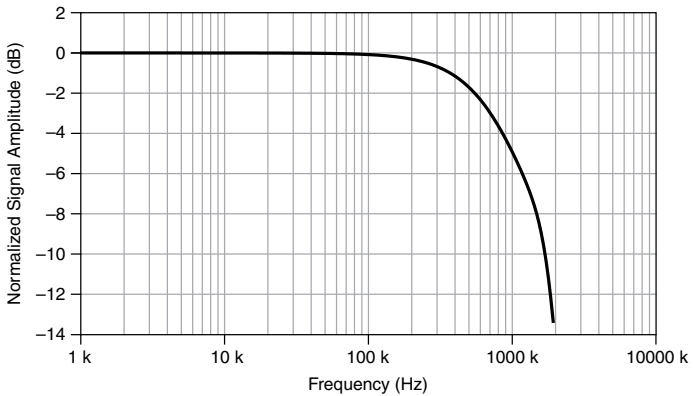
$\pm 90$ ppm of step ( $\pm 6$ LSB)	4 $\mu$ s convert interval
$\pm 30$ ppm of step ( $\pm 2$ LSB)	5 $\mu$ s convert interval
$\pm 15$ ppm of step ( $\pm 1$ LSB)	7 $\mu$ s convert interval

# Typical Performance Graphs

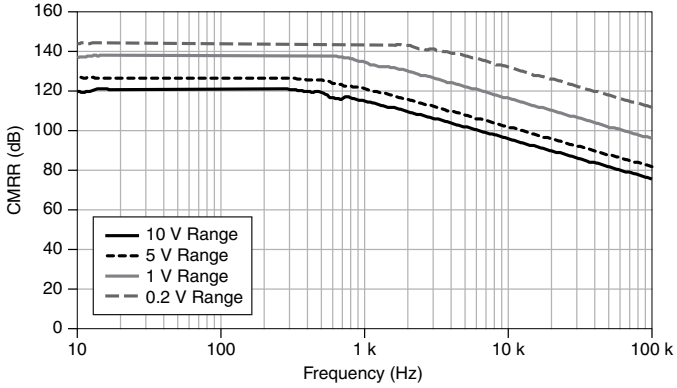
**Figure 1.** Settling Error versus Time for Different Source Impedances



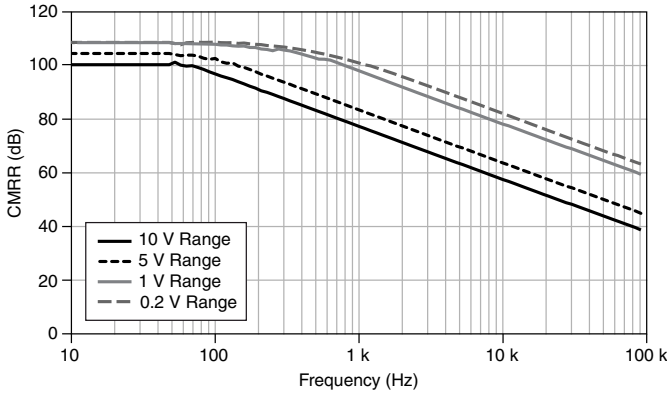
**Figure 2.** AI Small Signal Bandwidth



**Figure 3. AI CMRR to Earth Ground**



**Figure 4. AI CMRR to AI GND**



## AI Absolute Accuracy



**Note** Accuracies listed are valid for up to one year from the device external calibration.

**Table 1. AI Absolute Accuracy**

Nominal Range Positive Full Scale	Nominal Range Negative Full Scale	Residual Gain Error (ppm of Reading)	Residual Offset Error (ppm of Range)	Offset Tempco (ppm of Range/°C)	Random Noise, $\sigma$ ( $\mu\text{Vrms}$ )	Absolute Accuracy at Full Scale ( $\mu\text{V}$ )	Sensitivity ( $\mu\text{V}$ )
10	-10	75	20	57	244	3,100	97.6
5	-5	85	20	60	122	1,620	48.8
1	-1	95	25	79	30	360	12.0
0.2	-0.2	135	80	175	13	112	5.2



**Note** Sensitivity is the smallest voltage change that can be detected. It is a function of noise.

Gain tempco 25 ppm/°C

Reference tempco 5 ppm/°C

INL error 76 ppm of range

## AI Absolute Accuracy Equation

$AbsoluteAccuracy = Reading \cdot (GainError) + Range \cdot (OffsetError) + NoiseUncertainty$

$GainError = ResidualAIGainError + GainTempco \cdot (TempChangeFromLastInternalCal) + ReferenceTempco \cdot (TempChangeFromLastExternalCal)$

$OffsetError = ResidualAIOffsetError + OffsetTempco \cdot (TempChangeFromLastInternalCal) + INLError$

$NoiseUncertainty = \frac{Random\ Noise \cdot 3}{\sqrt{100}}$  for a coverage factor of 3  $\sigma$  and averaging 100 points.

## AI Absolute Accuracy Example

Absolute accuracy at full scale on the analog input channels is determined using the following assumptions:

- TempChangeFromLastExternalCal = 10 °C
- TempChangeFromLastInternalCal = 1 °C
- number\_of\_readings = 100
- CoverageFactor = 3  $\sigma$

For example, on the 10 V range, the absolute accuracy at full scale is as follows:

GainError = 75 ppm + 25 ppm  $\cdot$  1 + 5 ppm  $\cdot$  10 = 150 ppm

OffsetError = 20 ppm + 57 ppm  $\cdot$  1 + 76 ppm = 153 ppm

$$\text{NoiseUncertainty} = \frac{244 \mu\text{V} \cdot 3}{\sqrt{100}} = 73 \mu\text{V}$$

$$\text{AbsoluteAccuracy} = 10 \text{ V} \cdot (\text{GainError}) + 10 \text{ V} \cdot (\text{OffsetError}) + \text{NoiseUncertainty} = 3,100 \mu\text{V}$$

## Analog Output

Number of channels	4
Channel type	Voltage output
DAC resolution	16 bits
DNL	±1 LSB
Monotonicity	16 bit guaranteed
Maximum update rate	
1 channel	500 kS/s
2 channels	450 kS/s per channel
3 channels	425 kS/s per channel
4 channels	400 kS/s per channel
Timing accuracy	50 ppm of sample rate
Timing resolution	50 ns
Output range	±10 V
Output coupling	DC
Output impedance	0.4 Ω
Output current drive	±5 mA
Overdrive protection	±25 V
Overdrive current	10 mA
Power-on state	±20 mV
Power-on glitch <sup>1</sup>	±2 V for 2 ms
Power-off glitch <sup>2</sup>	±100 mV for 350 ms
Output FIFO size	8,191 samples shared among channels used
Data transfers	DMA (scatter-gather), interrupts, programmed I/O

<sup>1</sup> For the earlier version of the PCI-6230 (192233B-01), refer to the *NI 6230 Specifications* document, 371672A-01, January 2006 revision.

<sup>2</sup> When outputting 0 V on power down from the analog output channel.

AO waveform modes	Non-periodic waveform, periodic waveform regeneration mode from onboard FIFO, periodic waveform regeneration from host buffer including dynamic update
Settling time, full-scale step, 15 ppm (1 LSB)	6 $\mu$ s
Slew rate	15 V/ $\mu$ s
Glitch energy	
Magnitude	100 mV
Duration	3 $\mu$ s

## AO Absolute Accuracy

Absolute accuracy at full-scale numbers is valid immediately following internal calibration and assumes the device is operating within 10 °C of the last external calibration.



**Note** Accuracies listed are valid for up to one year from the device external calibration.

**Table 2.** AO Absolute Accuracy

Nominal Range Positive Full Scale (V)	Nominal Range Negative Full Scale (V)	Residual Gain Error (ppm of Reading)	Gain Tempco (ppm/°C)	Residual Offset Error (ppm of Range)	Offset Tempco (ppm of Range/°C)	Absolute Accuracy at Full Scale ( $\mu$ V)
10	-10	90	10	40	5	3,230

Reference tempco 5 ppm/°C

INL error 128 ppm of range

## AO Absolute Accuracy Equation

$AbsoluteAccuracy = OutputValue \cdot (GainError) + Range \cdot (OffsetError)$

$GainError = ResidualGainError + GainTempco \cdot (TempChangeFromLastInternalCal) + ReferenceTempco \cdot (TempChangeFromLastExternalCal)$

$OffsetError = ResidualOffsetError + AOOffsetTempco \cdot (TempChangeFromLastInternalCal) + INLError$



# Digital I/O/PFI

## Static Characteristics

Number of channels	10 total
Number of input channels	6 (PFI <0..5>/P0.<0..5>)
Number of output channels	4 (PFI <6..9>/P1.<0..3>)
Ground reference	D GND
Direction control	Fixed, lines are unidirectional
Input voltage protection	±20 V on up to two pins <sup>3</sup>

## PFI/Port 1/Port 2 Functionality

PFI <0..5>/P0.<0..5>	Static digital input, timing input
PFI <6..9>/P1.<0..3>	Static digital output, timing output
Timing output sources	Many AI, AO, counter timing signals
Debounce filter settings	125 ns, 6.425 µs, 2.56 ms, disable; high and low transitions; selectable per input

## Digital Input Characteristics

Level	Min	Max
$V_{IL}$ input low voltage	0 V	0.8 V
$V_{IH}$ input high voltage	2 V	5.25 V
$I_{IL}$ input low current ( $V_{in} = 0$ V)	—	-10 µA
$I_{IH}$ input high current ( $V_{in} = 5$ V)	—	10 µA

## Digital Output Characteristics

**Table 3.** Guaranteed Output Levels

Level	Voltage Level	Current Level
$V_{OL}$	0.4 V	7 mA
$V_{OL}$	0.6 V	10 mA

<sup>3</sup> Stresses beyond those listed under *Input voltage protection* may cause permanent damage to the device.

**Table 3. Guaranteed Output Levels (Continued)**

Level	Voltage Level	Current Level
$V_{OH}$	2.8 V	-24 mA
$V_{OH}$	4.0 V	-6 mA

## Maximum Operating Conditions

Level	Minimum	Maximum
$I_{OL}$ output low current P1.<0..3>	—	10 mA
$I_{OH}$ output high current P1.<0..3>	—	-24 mA

## General-Purpose Counters/Timers

Number of counter/timers	2
Resolution	32 bits
Counter measurements	Edge counting, pulse, semi-period, period, two-edge separation
Position measurements	X1, X2, X4 quadrature encoding with Channel Z reloading; two-pulse encoding
Output applications	Pulse, pulse train with dynamic updates, frequency division, equivalent time sampling
Internal base clocks	80 MHz, 20 MHz, 0.1 MHz
External base clock frequency	0 MHz to 20 MHz
Base clock accuracy	50 ppm
Inputs	Gate, Source, HW_Arm, Aux, A, B, Z, Up_Down
Routing options for inputs	Any input PFI, RTSI, PXI_TRIG, PXI_STAR, many internal signals
FIFO	2 samples
Data transfers	Dedicated scatter-gather DMA controller for each counter/timer; interrupts; programmed I/O

## Isolation Effects

---

Maximum propagation delay through isolator

Digital inputs	35 ns
Digital outputs	45 ns
Propagation delay skew between channels (inputs and outputs)	15 ns

---

## Frequency Generator

---

Number of channels	1
Base clocks	10 MHz, 100 kHz
Divisors	1 to 16
Base clock accuracy	50 ppm

---

Output can be available on any output PFI or RTSI terminal.

## Phase-Locked Loop (PLL)

---

Number of PLLs	1
Reference signal	PXI_STAR, PXI_CLK10, RTSI <0..7>
Output of PLL	80 MHz Timebase; other signals derived from 80 MHz Timebase including 20 MHz and 100 kHz Timebases

---

## External Digital Triggers

---

Source	Any PFI, RTSI, PXI_TRIG, PXI_STAR
Polarity	Software-selectable for most signals
Analog input function	Start Trigger, Reference Trigger, Pause Trigger, Sample Clock, Convert Clock, Sample Clock Timebase
Analog output function	Start Trigger, Pause Trigger, Sample Clock, Sample Clock Timebase
Counter/timer function	Gate, Source, HW_Arm, Aux, A, B, Z, Up_Down

---

## Device-To-Device Trigger Bus

PCI	RTSI <0..7> <sup>4</sup>
PXI	PXI_TRIG <0..7>, PXI_STAR
Output selections	10 MHz Reference Clock, frequency generator output, many internal signals
Debounce filter settings	125 ns, 6.425 $\mu$ s, 2.56 ms, disable; high and low transitions; selectable per input

## Bus Interface

PCI or PXI	3.3 V or 5 V signal environment
------------	---------------------------------

PXI-6230 devices can be installed in PXI slots or PXI Express hybrid slots.

DMA channels	4, analog input, analog output, counter/timer 0, counter/timer 1
--------------	--

## Power Requirements

Current draw from bus during no-load condition

+5 V	0.5 A
+12 V	20 mA

Current draw from bus during AI and AO overvoltage condition

+5 V	0.75 A
+12 V	20 mA

## Physical Characteristics

Printed circuit board dimensions

PCI	9.7 cm $\times$ 15.5 cm (3.8 in. $\times$ 6.1 in.)
PXI	Standard 3U PXI

Weight

PCI	110 g (3.8 oz)
PXI	150 g (5.2 oz)

<sup>4</sup> In other sections of this document, RTSI refers to RTSI <0..7> for the PCI devices or PXI\_TRIG <0..7> for PXI devices.

## Calibration

Recommended warm-up time	15 minutes
Calibration interval	1 year

## Maximum Working Voltage

*Maximum working voltage* refers to the signal voltage plus the common-mode voltage.

### Channel-to-earth ground<sup>5</sup>

Continuous	≤30 Vrms/60 VDC Measurement Category I
Withstand	≤840 Vrms/1,200 VDC, verified by a 5 s dielectric withstand test

### Channel-to-bus<sup>6</sup>

Continuous	≤30 Vrms/60 VDC Measurement Category I
Withstand	≤1,400 Vrms/1,950 VDC, verified by a 5 s dielectric withstand test

Analog channel-to-AI GND or AO GND  
(in the following figure,  $|V_a - V_c|$ )

≤11 V, Measurement Category I

Digital channel-to-D GND (in the  
following figure,  $|V_b - V_c|$ )

≤5.25 V, Measurement Category I

Measurement Category I is for measurements performed on circuits not directly connected to the electrical distribution system referred to as MAINS voltage. MAINS is a hazardous live electrical supply system that powers equipment. This category is for measurements of voltages from specially protected secondary circuits. Such voltage measurements include signal levels, special equipment, limited-energy parts of equipment, circuits powered by regulated low-voltage sources, and electronics.



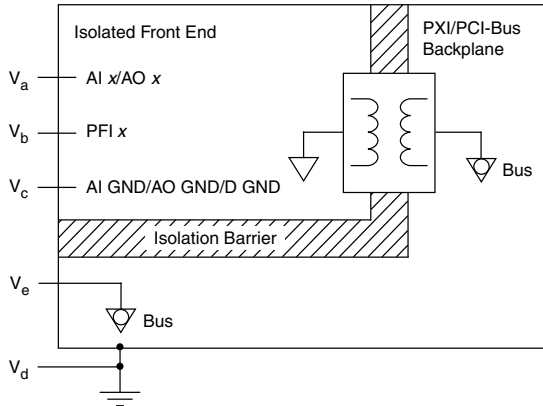
**Caution** This device is rated for Measurement Category I and the voltage across the isolation barrier is limited to no greater than 30 Vrms/60 VDC/42.4 V<sub>pk</sub> continuous. These test and measurement circuits are not intended for direct connection to the MAINS building installations of Measurement Categories CAT II, CAT III, or CAT IV.

The following figure illustrates the maximum working voltage specifications.

<sup>5</sup> In the figure,  $|V_a - V_d|$ ,  $|V_b - V_d|$ , and  $|V_c - V_d|$ .

<sup>6</sup> In the figure,  $|V_a - V_e|$ ,  $|V_b - V_e|$ , and  $|V_c - V_e|$ .

**Figure 5. NI 6230 Maximum Working Voltage**



## Environmental

### Operating environment

Ambient temperature range	0 to 55 °C (Tested in accordance with IEC-60068-2-1 and IEC-60068-2-2.)
Relative humidity range	10% to 90%, noncondensing (Tested in accordance with IEC-60068-2-56.)

### Storage environment

Ambient temperature range	-40 to 70 °C (Tested in accordance with IEC-60068-2-1 and IEC-60068-2-2.)
Relative humidity range	5% to 95% noncondensing (Tested in accordance with IEC-60068-2-56.)

Maximum altitude 2,000 m

Pollution Degree 2

Indoor use only.

## Shock and Vibration (PXI Only)

Operational shock	30 g peak, half-sine, 11 ms pulse (Tested in accordance with IEC 60068-2-27. Test profile developed in accordance with MIL-PRF-28800F.)
-------------------	---

## Random vibration

Operating	5 Hz to 500 Hz, 0.3 g <sub>rms</sub>
Nonoperating	5 Hz to 500 Hz, 2.4 g <sub>rms</sub> (Tested in accordance with IEC 60068-2-64. Nonoperating test profile exceeds the requirements of MIL-PRF-28800F, Class 3.)

## Safety

This product is designed to meet the requirements of the following electrical equipment safety standards for measurement, control, and laboratory use:

- IEC 61010-1, EN 61010-1
- UL 61010-1, CSA 61010-1



**Note** For UL and other safety certifications, refer to the product label or the [Online Product Certification](#) section.

## Electromagnetic Compatibility

This product meets the requirements of the following EMC standards for electrical equipment for measurement, control, and laboratory use:

- EN 61326-1 (IEC 61326-1): Class A emissions; Basic immunity
- EN 55011 (CISPR 11): Group 1, Class A emissions
- EN 55022 (CISPR 22): Class A emissions
- EN 55024 (CISPR 24): Immunity
- AS/NZS CISPR 11: Group 1, Class A emissions
- AS/NZS CISPR 22: Class A emissions
- FCC 47 CFR Part 15B: Class A emissions
- ICES-001: Class A emissions



**Note** In the United States (per FCC 47 CFR), Class A equipment is intended for use in commercial, light-industrial, and heavy-industrial locations. In Europe, Canada, Australia and New Zealand (per CISPR 11) Class A equipment is intended for use only in heavy-industrial locations.



**Note** Group 1 equipment (per CISPR 11) is any industrial, scientific, or medical equipment that does not intentionally generate radio frequency energy for the treatment of material or inspection/analysis purposes.



**Note** For EMC declarations and certifications, and additional information, refer to the [Online Product Certification](#) section.

# CE Compliance

---

This product meets the essential requirements of applicable European Directives, as follows:

- 2014/35/EU; Low-Voltage Directive (safety)
- 2014/30/EU; Electromagnetic Compatibility Directive (EMC)
- 2011/65/EU; Restriction of Hazardous Substances (RoHS)

## Online Product Certification

---

Refer to the product Declaration of Conformity (DoC) for additional regulatory compliance information. To obtain product certifications and the DoC for this product, visit [ni.com/certification](https://ni.com/certification), search by model number or product line, and click the appropriate link in the Certification column.

## Environmental Management

---

NI is committed to designing and manufacturing products in an environmentally responsible manner. NI recognizes that eliminating certain hazardous substances from our products is beneficial to the environment and to NI customers.

For additional environmental information, refer to the *Minimize Our Environmental Impact* web page at [ni.com/environment](https://ni.com/environment). This page contains the environmental regulations and directives with which NI complies, as well as other environmental information not included in this document.

## Waste Electrical and Electronic Equipment (WEEE)



**EU Customers** At the end of the product life cycle, all NI products must be disposed of according to local laws and regulations. For more information about how to recycle NI products in your region, visit [ni.com/environment/weee](https://ni.com/environment/weee).

## 电子信息产品污染控制管理办法（中国 RoHS）

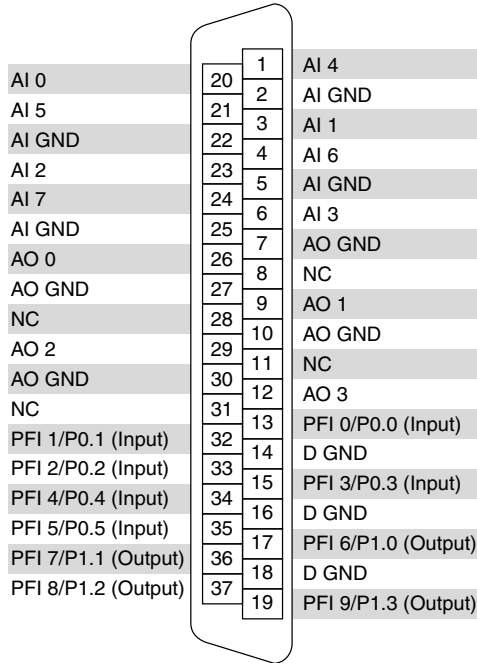


**中国客户** National Instruments 符合中国电子信息产品中限制使用某些有害物质指令 (RoHS)。关于 National Instruments 中国 RoHS 合规性信息，请登录 [ni.com/environment/rohs\\_china](https://ni.com/environment/rohs_china)。(For information about China RoHS compliance, go to [ni.com/environment/rohs\\_china](https://ni.com/environment/rohs_china).)



# Device Pinout

**Figure 6.** NI PCI/PXI-6230 Pinout



NC = No Connect

Refer to the *NI Trademarks and Logo Guidelines* at [ni.com/trademarks](http://ni.com/trademarks) for information on NI trademarks. Other product and company names mentioned herein are trademarks or trade names of their respective companies. For patents covering NI products/technology, refer to the appropriate location: **Help»Patents** in your software, the `patents.txt` file on your media, or the *National Instruments Patent Notice* at [ni.com/patents](http://ni.com/patents). You can find information about end-user license agreements (EULAs) and third-party legal notices in the readme file for your NI product. Refer to the *Export Compliance Information* at [ni.com/legal/export-compliance](http://ni.com/legal/export-compliance) for the NI global trade compliance policy and how to obtain relevant HTS codes, ECCNs, and other import/export data. NI MAKES NO EXPRESS OR IMPLIED WARRANTIES AS TO THE ACCURACY OF THE INFORMATION CONTAINED HEREIN AND SHALL NOT BE LIABLE FOR ANY ERRORS. U.S. Government Customers: The data contained in this manual was developed at private expense and is subject to the applicable limited rights and restricted data rights as set forth in FAR 52.227-14, DFAR 252.227-7014, and DFAR 252.227-7015.