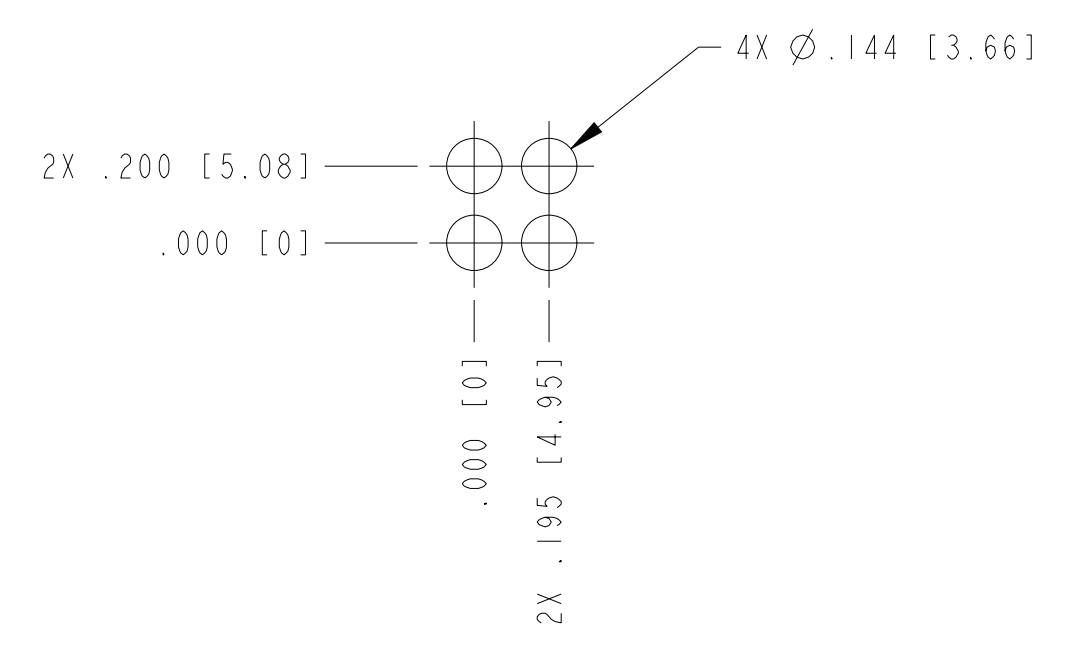
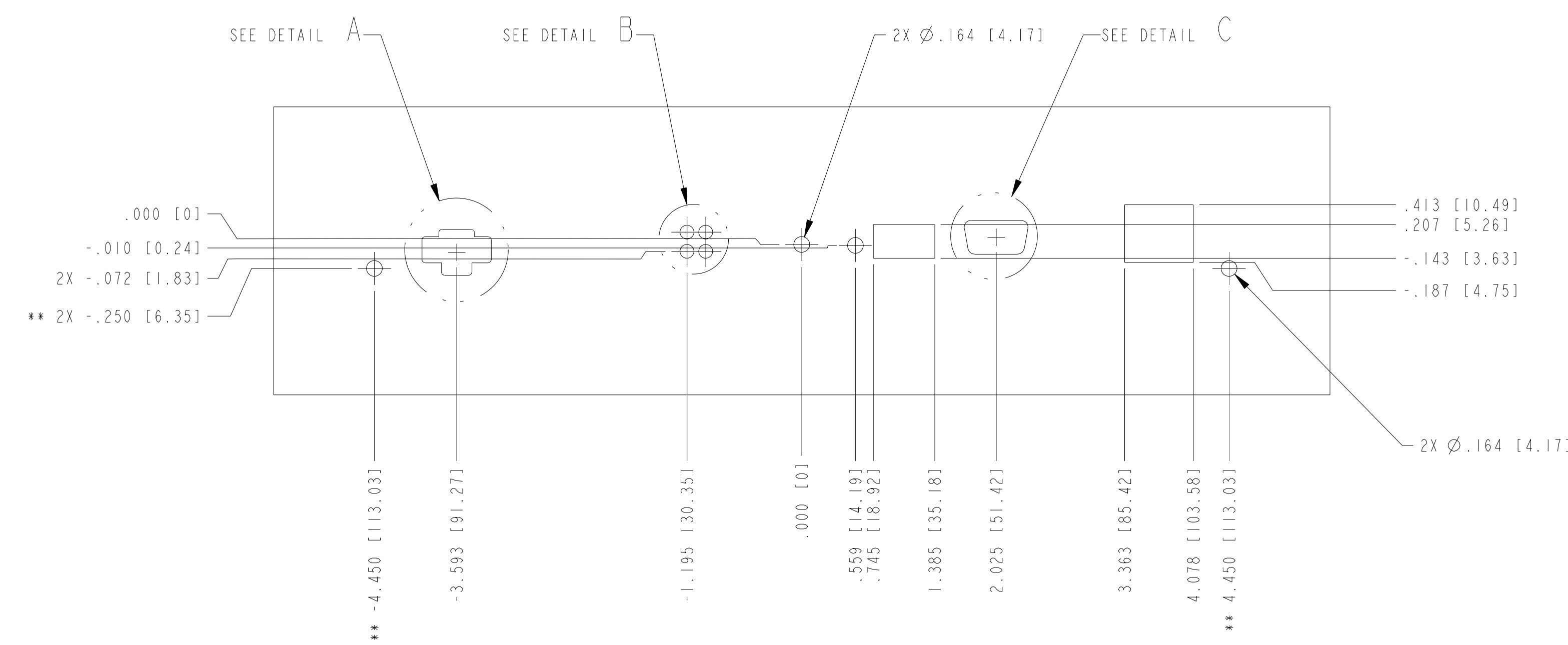


DETAIL A
 SCALE 3/1



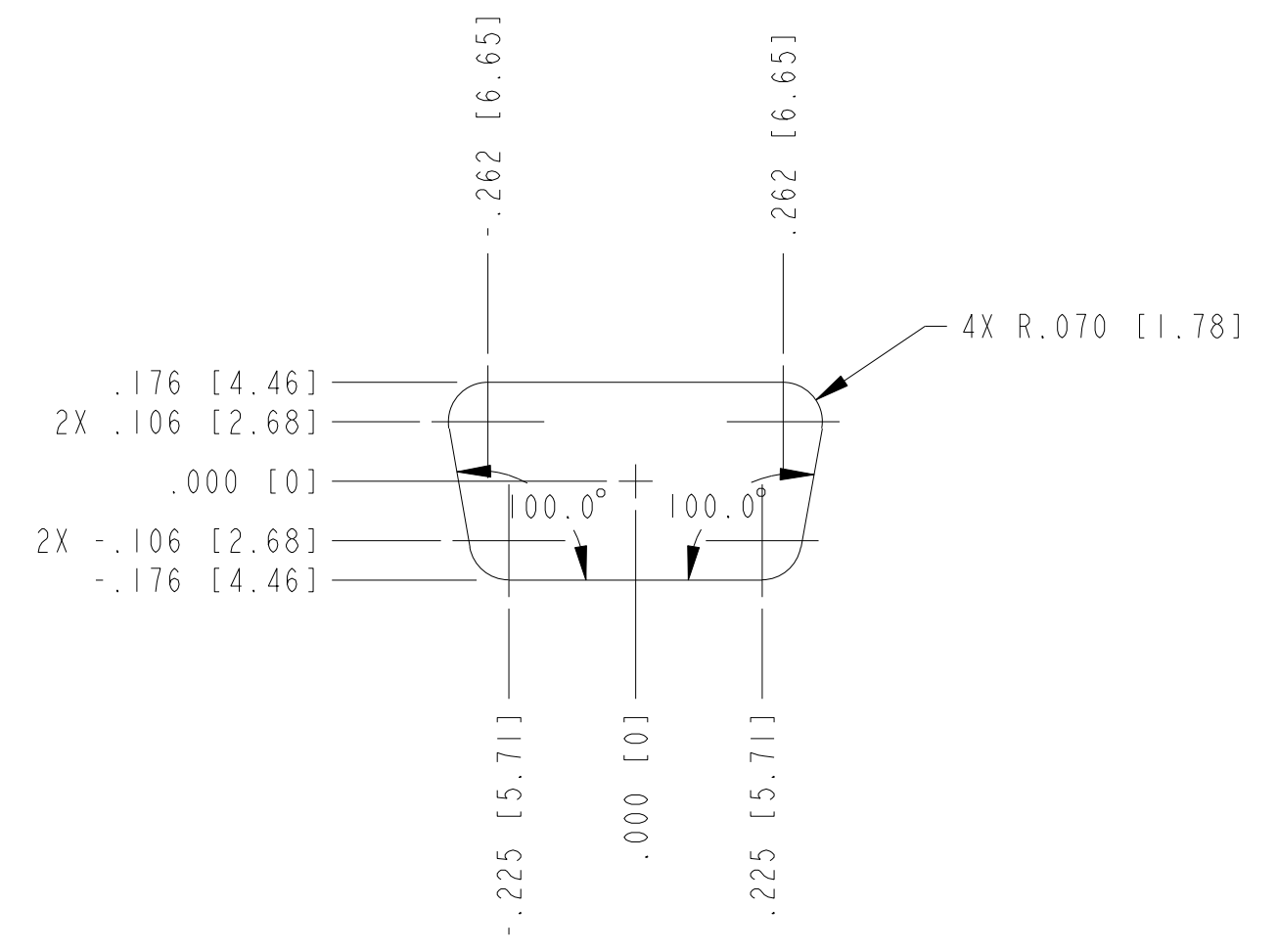
DETAIL B
 SCALE 2/1



** - THESE TWO HOLES ARE ONLY NECESSARY
 WHEN USED WITH THE 969X STACKING KIT

WIDTH AND HEIGHT OF PLATE DEFINED BY END USER

PANEL THICKNESS NOT TO
 EXCEED .125 [3.175]



DETAIL C
 SCALE 3/1

| | | |
|--|---------------------------------|----------------------|
| UNLESS OTHERWISE SPECIFIED DIMENSIONS ARE IN INCHES AND [MILLIMETERS]. | AUSTIN, TEXAS | |
| | TITLE CD_PANEL_MOUNT_96XX | |
| DO NOT SCALE DRAWING THIRD ANGLE PROJECTION | SIZE CODE IDENT NO MM/DD/YYYY | D 7U296 07/06/09 |
| | SCALE: 1/1 | SHEET 1 OF 1 |
| | CD_PANEL_MOUNT_96XX | |