

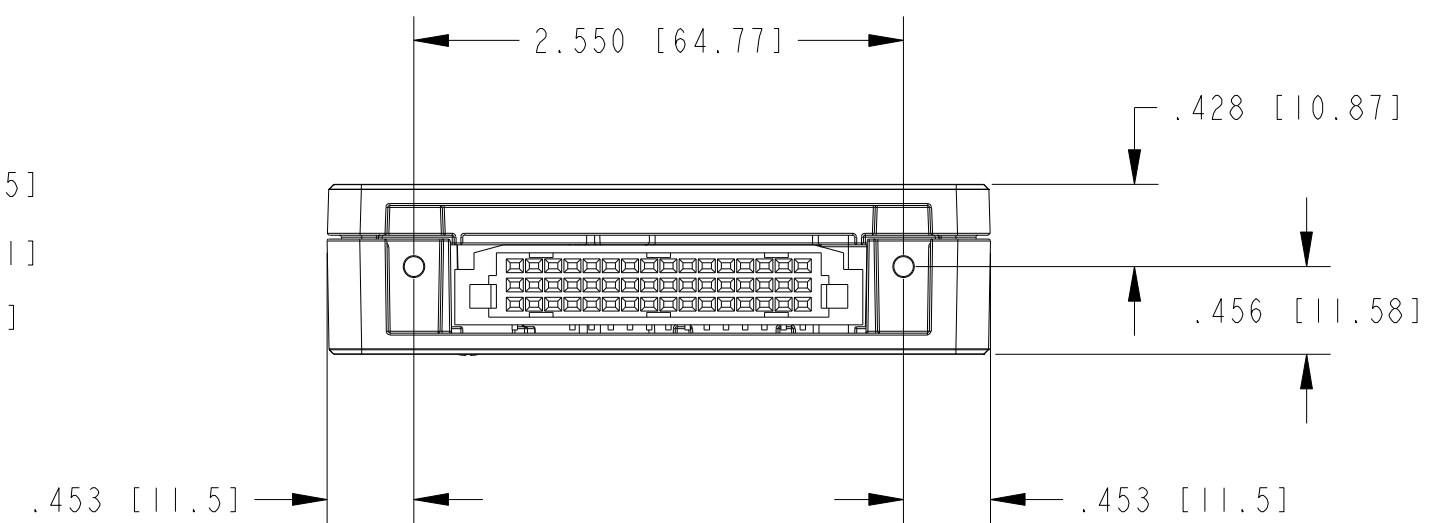
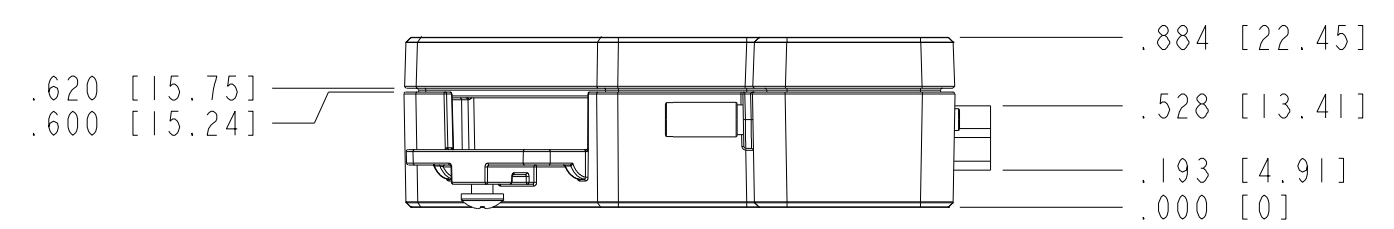
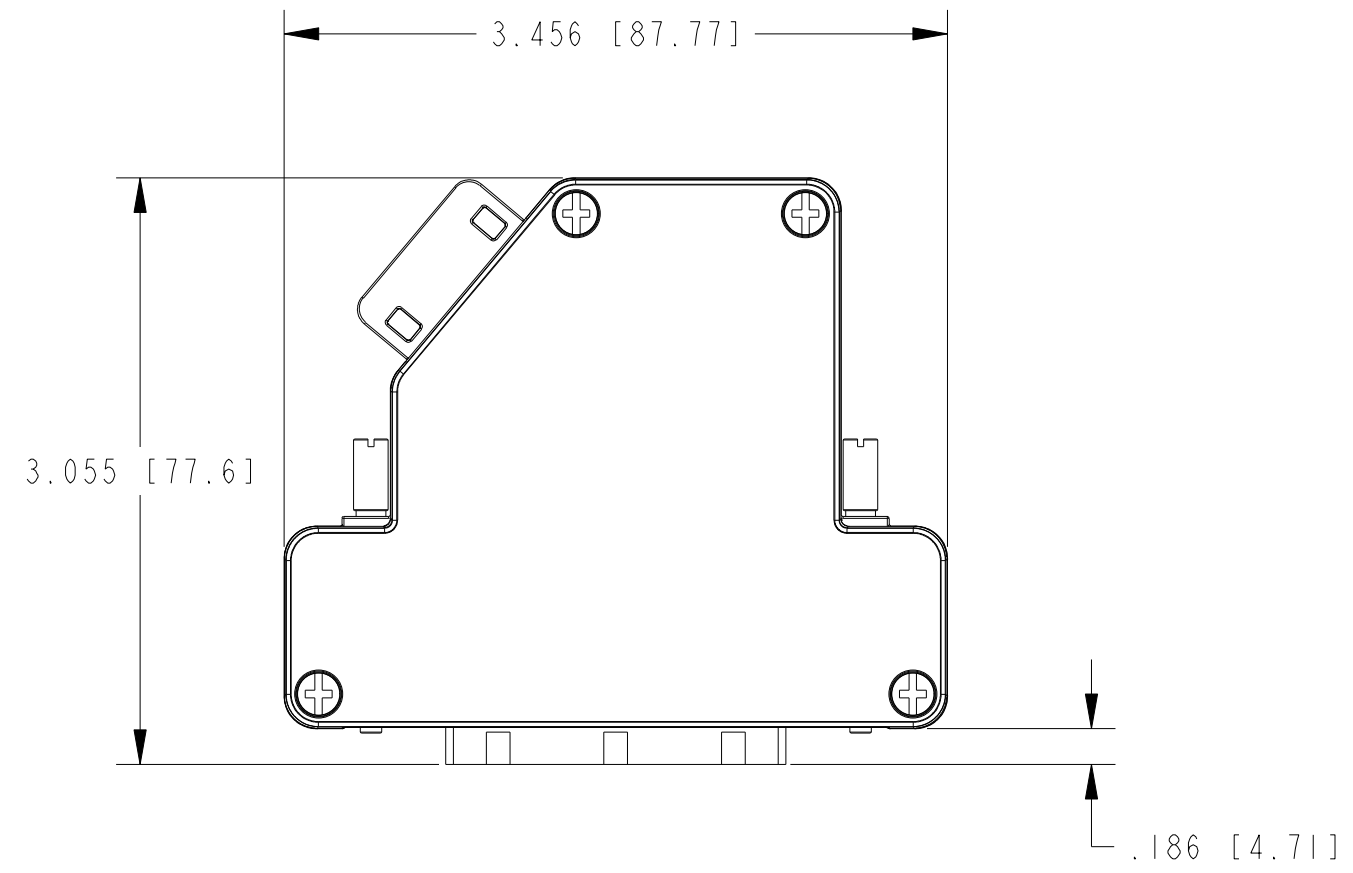
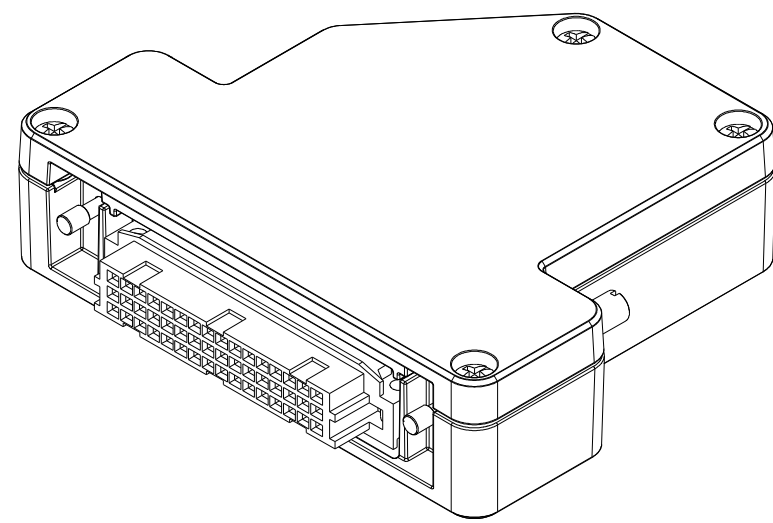
4

3

2

1

COPYRIGHT ©2013
NATIONAL INSTRUMENTS CORPORATION AND ITS LICENSORS. ALL RIGHTS RESERVED.

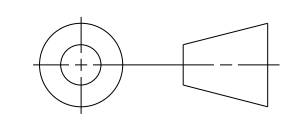


CUSTOMER DRAWING

UNLESS OTHERWISE SPECIFIED
DIMENSIONS ARE IN INCHES AND
[MILLIMETERS].
DO NOT SCALE DRAWING
THIRD ANGLE PROJECTION



TITLE
NI TB-9214



SIZE CODE IDENT NO. MM/DD/YYYY
C 7U296 02/18/2013

SCALE: 1/1 SHEET 1 OF 1

NOTES: UNLESS OTHERWISE SPECIFIED.

4

3

2

1