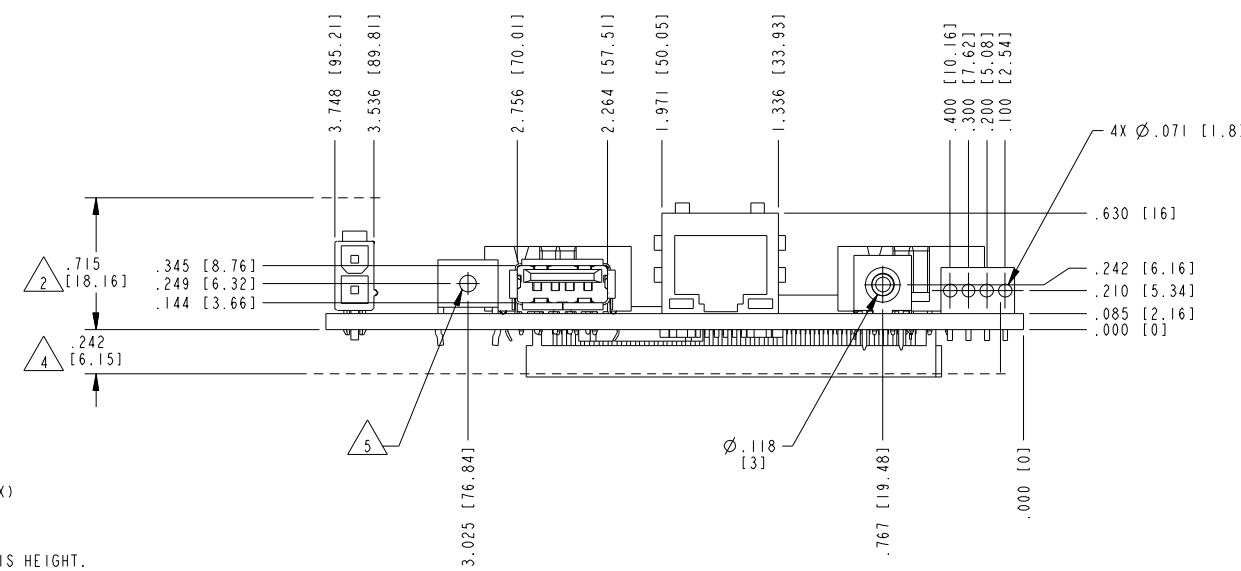
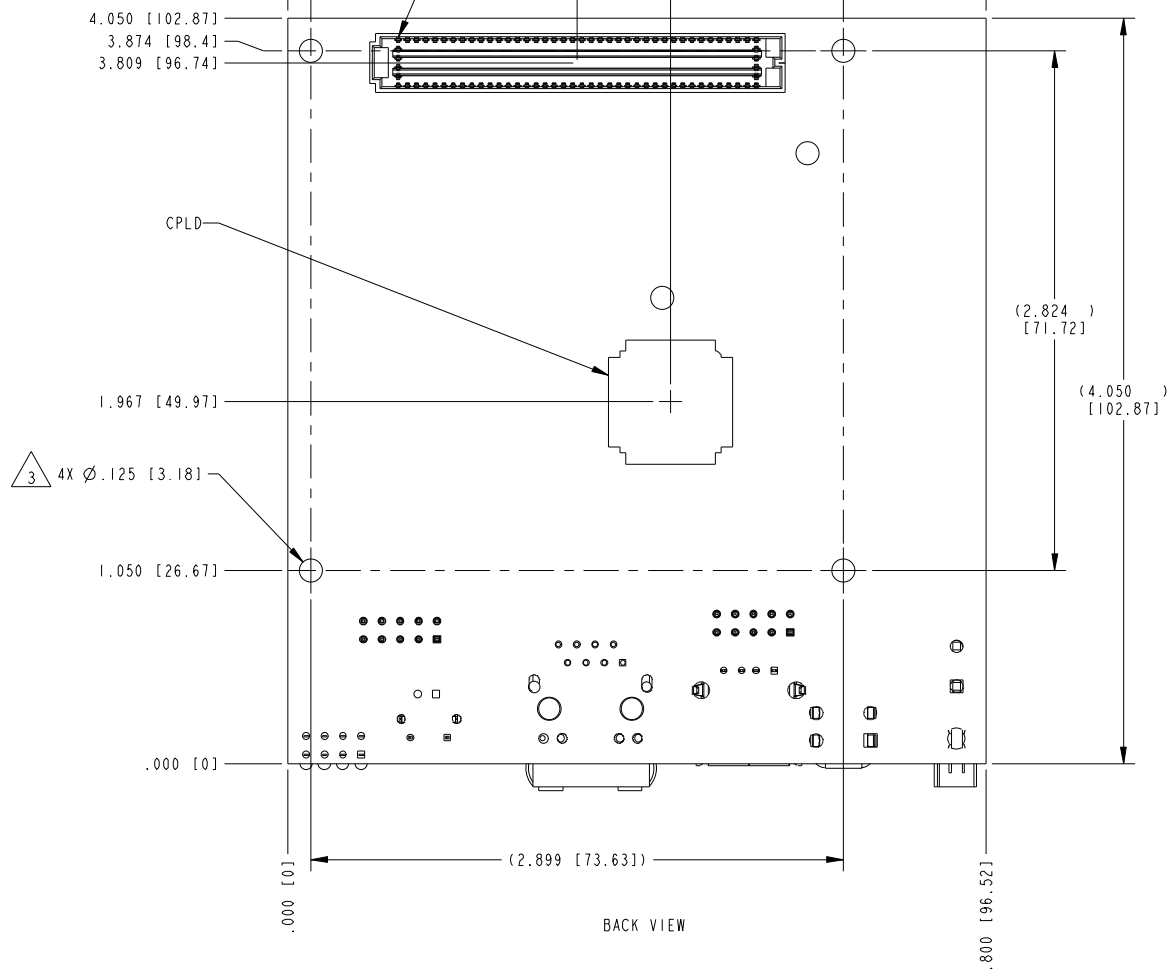
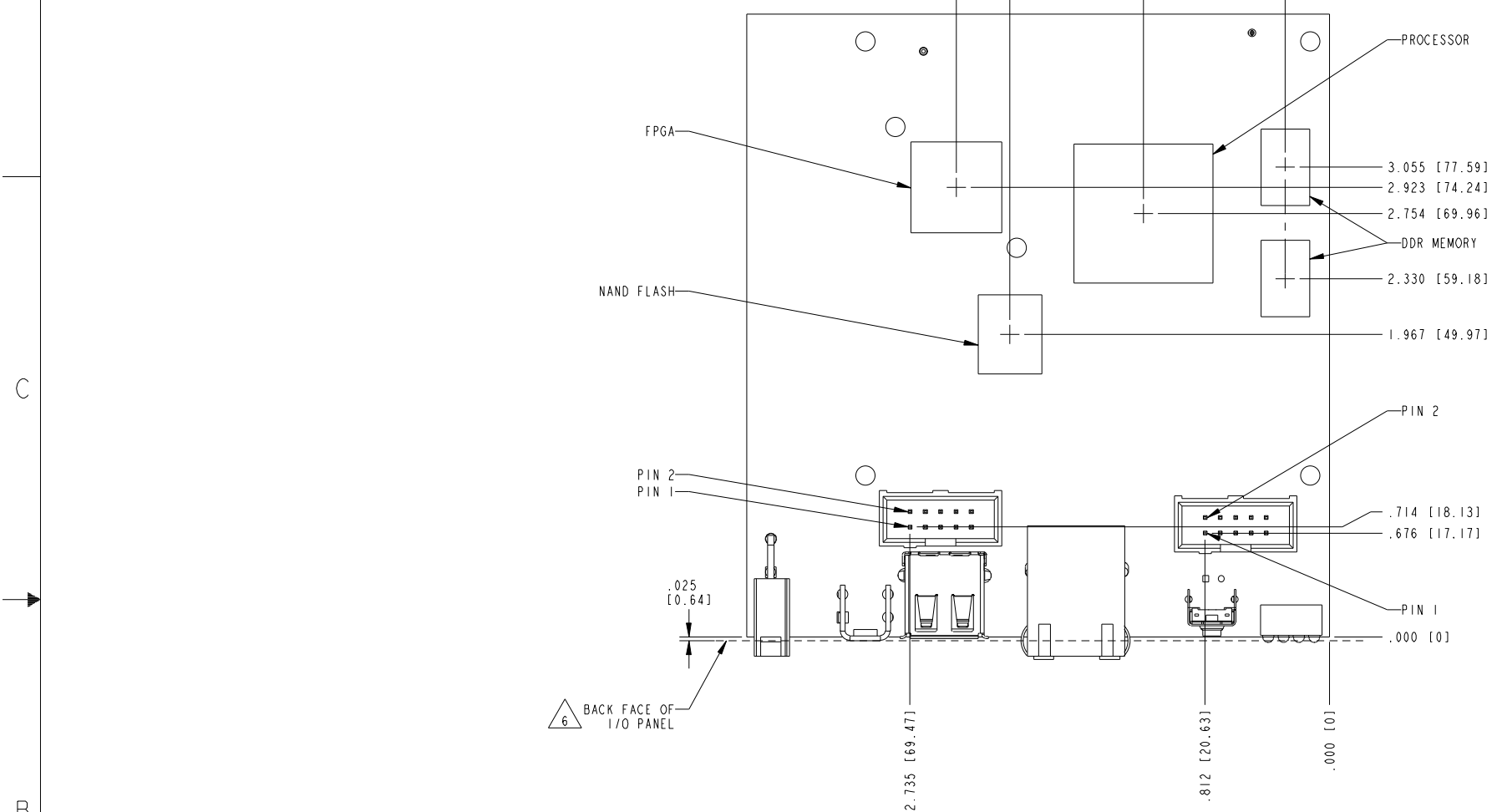


D

C

B

A

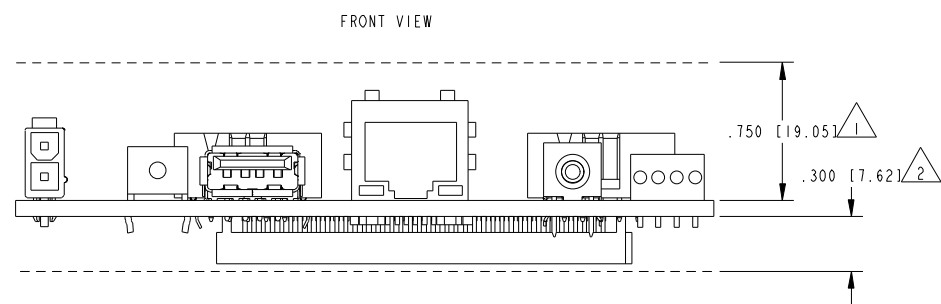
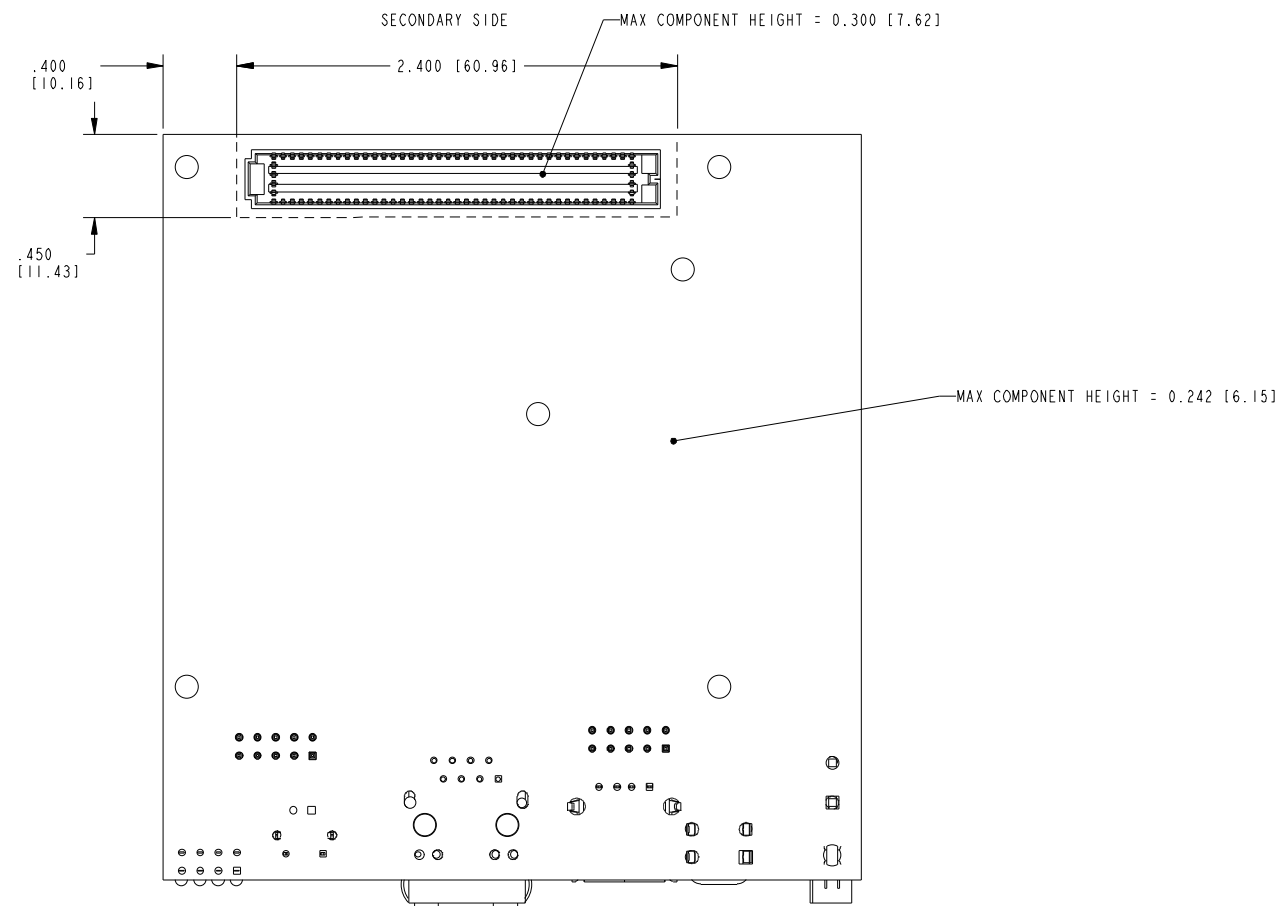
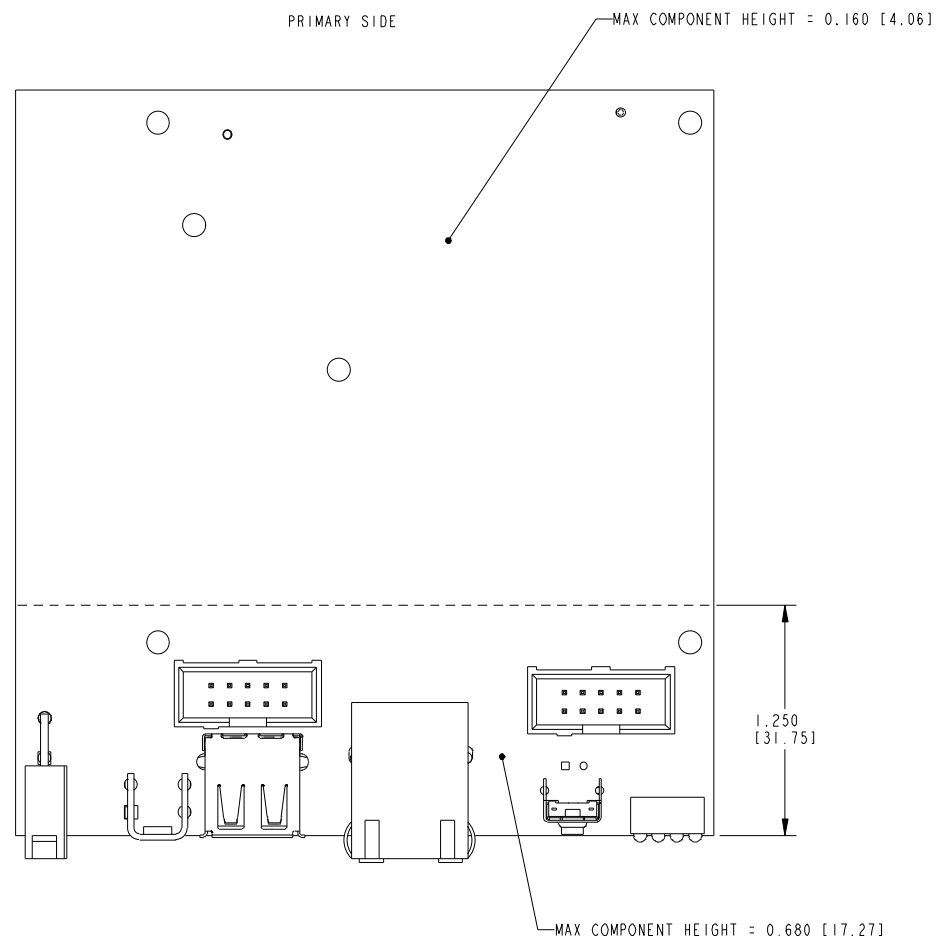


- 6 RECOMMENDED PANEL THICKNESS RANGE IS FROM .032 [0.81] TO .100 [2.54].
  - 5 4-40 MAX TORQUE 3.6 IN LBS.
  - 4 DAUGHTER CARD COMPONENTS SHOULD NOT EXTEND ABOVE THIS KEEPOUT LINE.
  - 3 HOLES AND KEEPOUTS SIZED FOR M3 STANDOFF (4.5 HEX) OR 4-40 STANDOFF (0.1875 HEX). MAX SCREW HEAD OR STANDOFF DIAMETER OF 0.236 [6 MM].
  - 2 LATCH ON MATING PLUG REQUIRES CLEARANCE UP TO THIS HEIGHT.
1. REFER TO PRODUCT MANUAL ON NI.COM FOR MORE DETAILS.  
 NOTES: UNLESS OTHERWISE SPECIFIED.

UNLESS OTHERWISE SPECIFIED DIMENSIONS ARE IN INCHES AND MILLIMETERS.	<b>NATIONAL INSTRUMENTS®</b> AUSTIN, TEXAS	
	TITLE CUSTOMER DRAWING, sbRIO-9606	
DO NOT SCALE DRAWING THIRD ANGLE PROJECTION	SIZE CODE IDENT NO. MM/DD/YYYY D 7U296 08/26/2011	SHEET 1 OF 2
	SCALE: 2/1	CU.SBR10-9606

D  
C  
B  
A

D  
C  
B  
A



2 IT IS RECOMMENDED THAT ADJACENT PCB'S AND SURFACES BE KEPT .300 [7.62] FROM THE SECONDARY SIDE SURFACE.

1 IT IS RECOMMENDED THAT ADJACENT PCB'S AND SURFACES BE KEPT .750 [19.05] FROM THE PRIMARY SIDE SURFACE.

NOTES: UNLESS OTHERWISE SPECIFIED.

8 7 6 5 4 3 2 1