

## COMPREHENSIVE SERVICES

We offer competitive repair and calibration services, as well as easily accessible documentation and free downloadable resources.

## SELL YOUR SURPLUS

We buy new, used, decommissioned, and surplus parts from every NI series. We work out the best solution to suit your individual needs.

 Sell For Cash    Get Credit    Receive a Trade-In Deal

## OBSOLETE NI HARDWARE IN STOCK & READY TO SHIP

We stock **New**, **New Surplus**, **Refurbished**, and **Reconditioned** NI Hardware.



*Bridging the gap between the manufacturer and your legacy test system.*

 1-800-915-6216

 [www.apexwaves.com](http://www.apexwaves.com)

 [sales@apexwaves.com](mailto:sales@apexwaves.com)

*All trademarks, brands, and brand names are the property of their respective owners.*

**Request a Quote**

 **CLICK HERE**

**cRIO-9049**

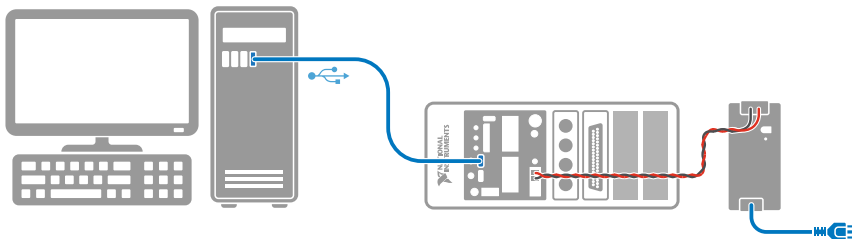
## GETTING STARTED GUIDE

# cRIO-904x

## Embedded CompactRIO Controller with Real-Time Processor and Reconfigurable FPGA

This document describes how to begin using the cRIO-904x.

In this document, the cRIO-9040, cRIO-9041, cRIO-9042, cRIO-9043, cRIO-9045, cRIO-9046, cRIO-9047, cRIO-9048, and cRIO-9049 are referred to collectively as cRIO-904x.



**Note** Refer to the device Safety, Environmental, and Regulatory Information document, shipped with your cRIO-904x controller and available on [ni.com/manuals](https://ni.com/manuals), for important safety and environmental specifications necessary when setting up your device.

## Unpacking the Kit



**Notice** To prevent electrostatic discharge (ESD) from damaging the device, ground yourself using a grounding strap or by holding a grounded object, such as your computer chassis.

1. Touch the antistatic package to a metal part of the computer chassis.
2. Remove the device from the package and inspect the device for loose components or any other sign of damage.



**Notice** Never touch the exposed pins of connectors.



**Note** Do not install a device if it appears damaged in any way.

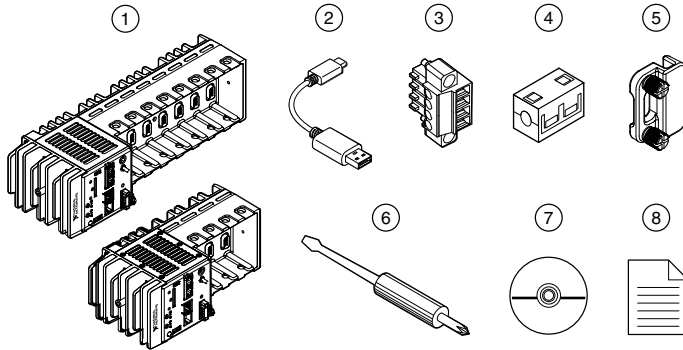
3. Unpack any other items and documentation from the kit.

Store the device in the antistatic package when the device is not in use.

# What You Need to Get Started

Verify that the following items are included in the cRIO-904x controller kit.

**Figure 1. cRIO-904x Kit Contents**



- |   |   |
|---|---|
| 1. Controller (4-Slot or 8-Slot)                    | 5. SD Card Cover (Ships Connected on Front Panel) |
| 2. USB Type-A Male to USB Type-C Male Cable         | 6. Screwdriver                                    |
| 3. Power Connector (Ships connected on Front Panel) | 7. Driver Media                                   |
| 4. Ferrite  | 8. Documentation                                  |

## Required Components

- Host Computer
- C Series Modules
- Power Supply

## Installing Software on the Host Computer

If you do not currently have any NI software installed on your host computer, see the *Install Software* section for details on required software and in which order to install it. If you have some NI software already installed, see the *Software Compatibility Resources* section for resources to check the compatibility of your software with your controller.

### Install Software

Before using the cRIO-904x, you must install the following application software and device drivers on the host computer in the order shown.

Refer to the "Choosing Your Programming Mode" section of the *cRIO-904x User Manual* to determine the programming modes you wish to use.

Sequence	Software	Corresponding Programming Mode
1	LabVIEW 2017 SP1 or later	
2	LabVIEW Real-Time Module 2017 or later	
3	LabVIEW FPGA Module 2017 or later <sup>1</sup>	LabVIEW FPGA Mode
4	NI CompactRIO Device Drivers 17.6 or later <sup>2</sup>	Real-Time Mode Real-Time Scan Mode (IO Variables)



**Note** If you do not have the software media included with your hardware or do not have a media drive, go to [ni.com/downloads](https://ni.com/downloads) to download the required software.

After installing the software, you must activate it using NI License Manager.

### Software Compatibility Resources

For more information about installing the correct versions of software, visit [ni.com/info](https://ni.com/info) and enter the Info Code `swwsupport`.

For tips on resolving software compatibility issues with CompactRIO systems, visit [ni.com/info](https://ni.com/info) and enter the Info Code `swcompatibility`.



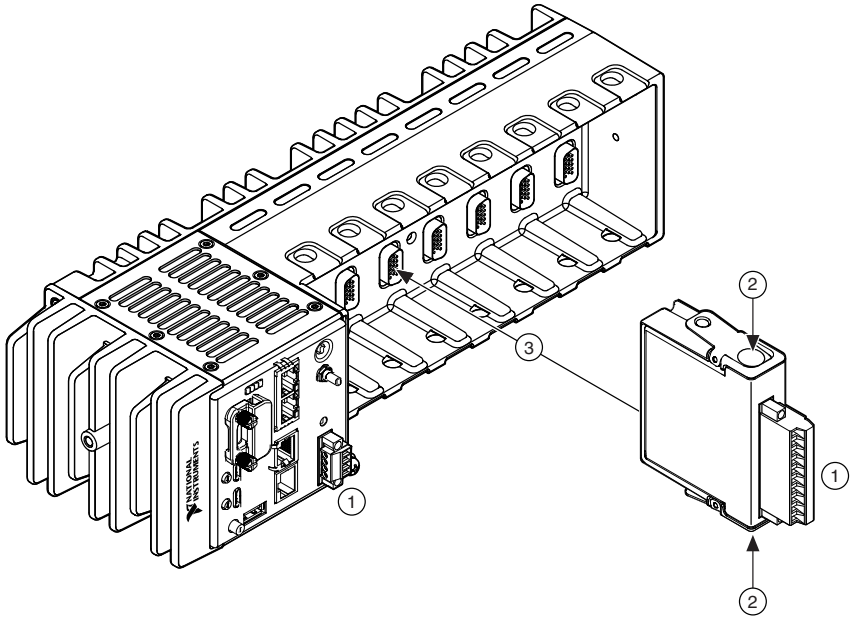
**Note** If you try to install software that already exists on your host computer, the installer will show nothing installed.


<sup>1</sup> LabVIEW FPGA Module is not required when using Real-Time or Real-Time Scan (IO Variables) program modes. To program the user-accessible FPGA on the cRIO-904x or deploy C Series modules in the LabVIEW FPGA program mode, LabVIEW FPGA Module is required.

<sup>2</sup> NI CompactRIO Device Drivers 17.6 and later include NI-DAQmx driver software. To deploy C Series modules installed in the cRIO-904x in Real-Time (NI-DAQmx) mode, ensure that NI-DAQmx is selected during installation. To deploy C Series modules installed in the cRIO-904x in Real-Time Scan (IO Variables) mode, ensure that NI Scan Engine is selected during installation.

# Installing the C Series Modules

Complete the following steps to install a C Series module.

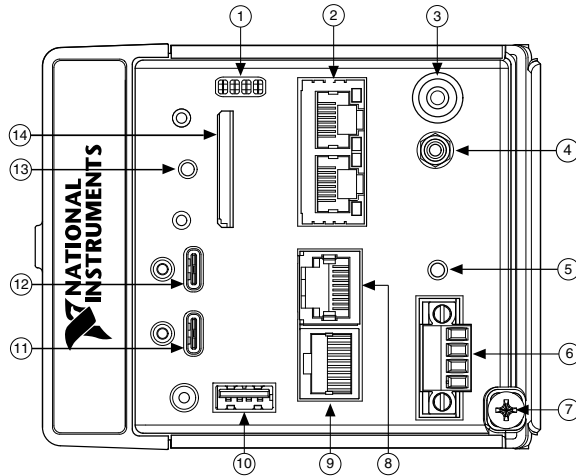


1. Verify that power is not connected to the I/O connector(s) on the C Series module and the cRIO-904x.  
 **Note** If the system is in a nonhazardous location, the cRIO-904x can be powered on when you install modules.
2. Press the latches on the C Series module.
3. Align the C Series module with a slot and seat it in the slot until the latches lock in place.

## Connecting the cRIO-904x

The cRIO-904x has the following connectors, LEDs, and buttons. For a full description of all front panel features, see the *cRIO-904x User Manual*.

**Figure 2. cRIO-904x Front Panel**



- |                                 |  |
|---------------------------------|--|
| 1. LEDs                         | 8. RS-232 Serial Port                        |
| 2. RJ-45 Gigabit Ethernet Ports | 9. RS-485 Serial Port                        |
| 3. USER1 Button                 | 10. USB 2.0 Type-A                           |
| 4. PFI 0                        | 11. USB 3.1 Type-C with DisplayPort Alt Mode |
| 5. RESET Button                 | 12. USB 3.1 Type-C Dual Role                 |
| 6. Power Connector              | 13. SD In Use LED                            |
| 7. Grounding Screw              | 14. SD Card Removable Storage                |

## Connecting the Controller to Ground

You must connect the cRIO-904x grounding terminal to the grounding electrode system of the facility.

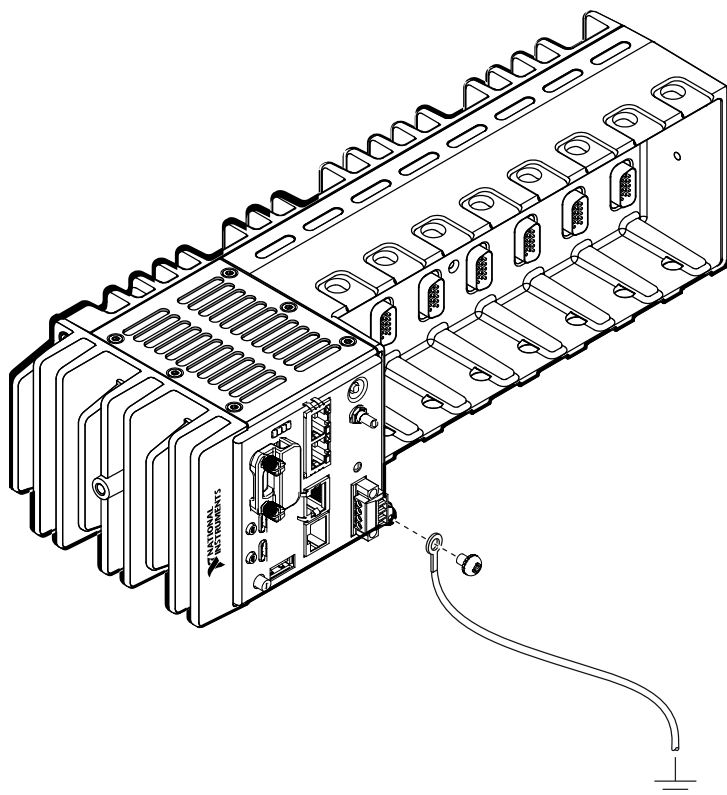
### What to Use

- Ring lug
- Wire, 1.3 mm<sup>2</sup> (16 AWG) or larger
- Screwdriver, Phillips #2

### What to Do

Complete the following steps to ground the cRIO-904x.

1. Attach the ring lug to the wire.
2. Remove the grounding screw from the grounding terminal on the cRIO-904x.



3. Attach the ring lug to the grounding terminal.
4. Tighten the grounding screw to  $0.5 \text{ N} \cdot \text{m}$  (4.4 lb · in.) of torque.
5. Attach the other end of the wire to the chassis safety ground using a method that is appropriate for your application.

**!** **Notice** If you use shielded cabling to connect to a C Series module with a plastic connector, you must attach the cable shield to the chassis grounding terminal using  $1.3 \text{ mm}^2$  (16 AWG) or larger wire. Attach a ring lug to the wire and attach the wire to the chassis grounding terminal. Solder the other end of the wire to the cable shield. Use shorter wire for better EMC performance.

For more information about ground connections, visit [ni.com/info](https://ni.com/info) and enter the Info Code `emcground`.

# Connecting the Controller to Power

The cRIO-904x requires a 9 V to 30 V external power supply. The cRIO-904x filters and regulates the supplied power and provides power for the C Series modules. The cRIO-904x has a primary power input, V1, and a secondary power input, V2.

The POWER LED on the cRIO-904x indicates which power input is in use, as shown in the following table.

**Table 1.** POWER LED Indicators

LED Color	LED Pattern	Indication
Green	Solid	The cRIO-904x is powered from the V1 input.
Yellow	Solid	The cRIO-904x is powered from the V2 input.
—	Off	The cRIO-904x is off.



**Notice** Do not connect V1 or V2 to a DC mains supply or to any supply that requires a connecting cable longer than 3 m (10 ft). A DC mains supply is a local DC electricity supply network in the infrastructure of a site or building.

## What to Use

- Ferrite (included in kit)
- Screwdriver, 2.54 mm (0.10 in.) flathead
- Primary power supply, 9 V to 30 V, 60 W minimum
- (Optional) Secondary power supply, 9 V to 30 V, 60 W minimum

NI recommends the power supplies listed in the following table for the cRIO-904x.

**Table 2.** NI Power Supplies

Power Supply	Part Number
NI PS-15 Industrial Power Supply (24 VDC, 5 A, 100 VAC to 120 VAC/200 VAC to 240 VAC input)	781093-01
NI PS-10 Desktop Power Supply (24 VDC, 5 A, 100 VAC to 120 VAC/200 VAC to 240 VAC input)	782698-01

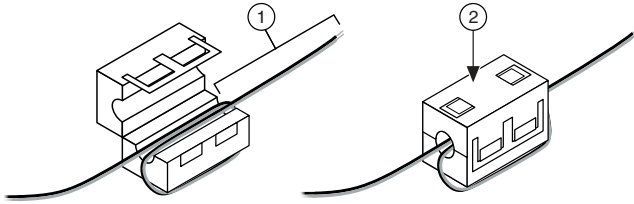
## What to Do

Complete the following steps to connect a power supply to the cRIO-904x.

1. Ensure that your power supply is powered off.
2. Install the ferrite (National Instruments part number 711849-01, included in the shipping kit) on the negative and positive leads of the power supply, as shown in the following figure.



**Figure 3.** Installing a Ferrite on the Power Leads



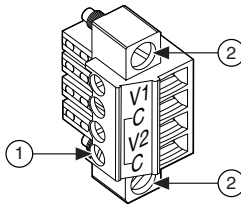
1. Pass the leads through the ferrite twice, leaving 50 mm to 75 mm (2 in. to 3 in.) between the ferrite and the end of the leads.
2. Close the ferrite around the leads.

3. Remove the power connector from the cRIO-904x.



**Notice** Do not tighten or loosen the terminal screws on the power connector while the cRIO-904x is powered on.

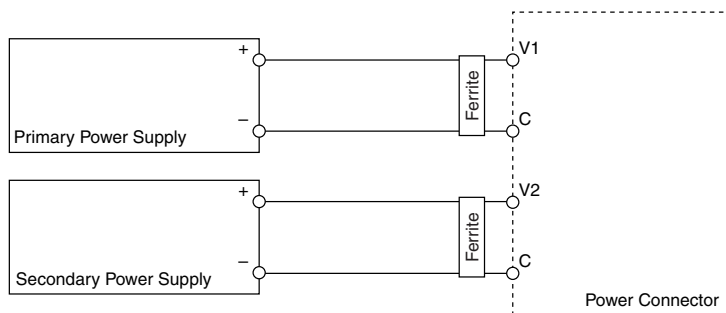
**Figure 4.** Power Screw Terminal Connector Plug



1. Terminal Screw
2. Connector Screw Flanges

4. Connect the primary power supply and optional secondary power supply to the power connector, as shown in the following figure.

**Figure 5.** cRIO-904x Power Connections



**Note** The C terminals are internally connected to each other.

5. Tighten the terminal screws on the power connector to 0.20 N · m to 0.25 N · m (1.8 lb · in to 2.2 lb · in) of torque.
6. Install the power connector on the front panel of the cRIO-904x.
7. Tighten the power connector screw flanges to 0.20 N · m to 0.25 N · m (1.8 lb · in to 2.2 lb · in) of torque.
8. Power on the primary power supply and optional secondary power supply.

When you power on the cRIO-904x for the first time, the device boots into safe mode. The POWER LED illuminates, the STATUS LED illuminates briefly, and then the STATUS LED blinks twice every few seconds.

## Connecting the Controller to the Host Computer

Complete the following steps to connect the cRIO-904x to the host computer using the Dual Role USB C Port.

1. Power on the host computer.
2. Connect the cRIO-904x to the host computer using the USB-to-Type-A cable (included in kit), inserting the USB Type-C connector into the Dual Role USB Type-C port. Connect the other end of the USB cable (Type-A) to the host computer.

The device driver software automatically detects the cRIO-904x. Select **Configure and install software to this device**.



If the device driver software does not detect the cRIO-904x, verify that you installed the appropriate NI software in the correct order on the host computer as described in [Installing Software on the Host Computer](#).

## Discovering the Controller in MAX

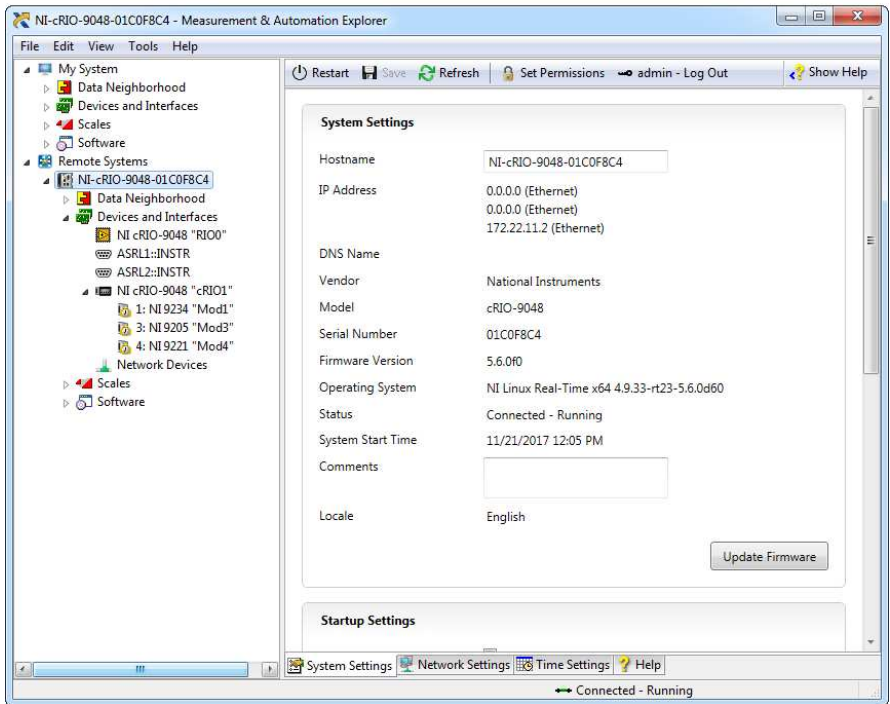
---

Complete the following steps to find the cRIO-904x controller in MAX.

1. Launch MAX on the host computer.
2. Expand **Remote Systems** in the configuration tree and locate your system.
3. Select your target.



**Tip** MAX lists the system under the model number followed by the serial number, such as NI-cRIO-9048-01C0F8C4 by default.



## Setting a System Password

Complete the following steps to set a system password.

1. In MAX, click the **Login** button on the toolbar.
2. Enter `admin` in the **User name** field.
3. Leave the **Password** field blank.



**Note** There is no default password for the cRIO-904x, so you must leave the password field blank when logging in until you set a system password.

4. Click the **OK** button.
5. Click the **Set Permissions** button in the toolbar.

The NI Web-Based Configuration and Monitoring utility opens in your default browser and is where you set the password. If you have not installed Microsoft Silverlight, NI Web-based Configuration & Monitoring prompts you to do so.

6. Click the **Login** button and enter `admin` in the **User name** field.
7. Leave the **Password** field blank if you have not changed the default password, or enter the current password.
8. Double-click `admin` in the list of users under the **Users** tab.

9. Click **Change Password**.



10. Enter and re-enter a new password.
11. Click **OK**.
12. Click **Save**.
13. Click **OK** to confirm you are changing the password.



**Notice** NI cannot recover lost system passwords. If you forget the password, you must contact NI and reformat the controller.

14. Close the NI Web-Based Configuration and Monitoring utility.

## Installing Software on the Controller

Complete the following steps to install software on the cRIO-904x.

1. In MAX, expand your system under Remote Systems.
2. Right-click **Software**.
3. Select **Add/Remove Software** to launch the LabVIEW Real-Time Software Wizard.



**Tip** You must log in to install software on the cRIO-904x. The default username for the cRIO-904x is admin. There is no default password for the cRIO-904x. To set a password for your system, refer to [Setting a System Password](#).

4. Select the recommended software set for your LabVIEW and NI-RIO Device Drivers versions.
5. Click **Next**.
6. Select any additional software from the list of software add-ons, if needed.



**Tip** You can use this wizard at any time to install additional software.



**Note** LabVIEW FPGA Module is required to run your modules in the LabVIEW FPGA program mode. NI Scan Engine is required to run your modules in the Real-Time Scan (IO Variables) program mode.

7. Click **Next**.
8. Verify that the summary of software to install is correct.
9. Click **Next** to start the installation.
10. Click **Finish** when the installation is complete.

## Testing Your Controller in MAX

Complete the following steps to run a test panel in Measurement & Automation Explorer (MAX) to confirm that your cRIO-904x is communicating with your system.



**Note** MAX test panels are only available for systems running NI-DAQmx driver software with supported C Series modules installed, and with modules deployed in the Real-Time program mode. For additional information, refer to [Installing Software on the Host Computer](#) and "Choosing Your Programming Mode" in the *cRIO-904x User Manual*.

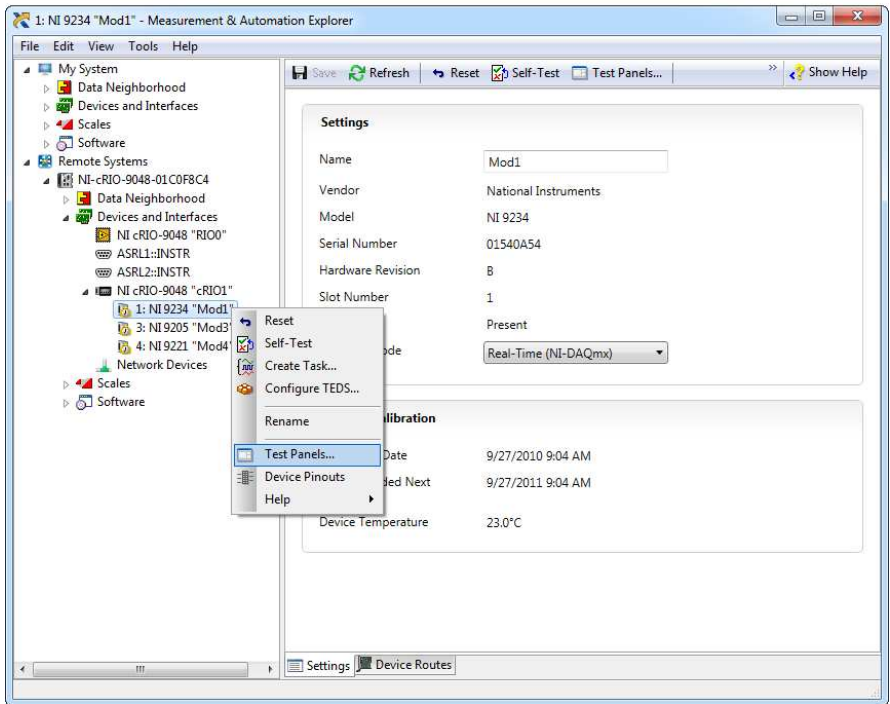
1. Launch MAX.
2. Locate and select your cRIO-904x system in the **My System** tree. If your module and the software are functioning correctly, the System Settings for your module will show a status of **Connected - Running**.

The screenshot shows the Measurement & Automation Explorer (MAX) interface. The left pane displays the 'My System' tree with the selected cRIO-9048-01C0F8C4. The main pane shows the 'System Settings' for this device. The status is 'Connected - Running'. Callouts highlight the IP address settings (0.0.0.0 (Ethernet) and 172.22.11.2 (Ethernet)) and the System Settings icon.

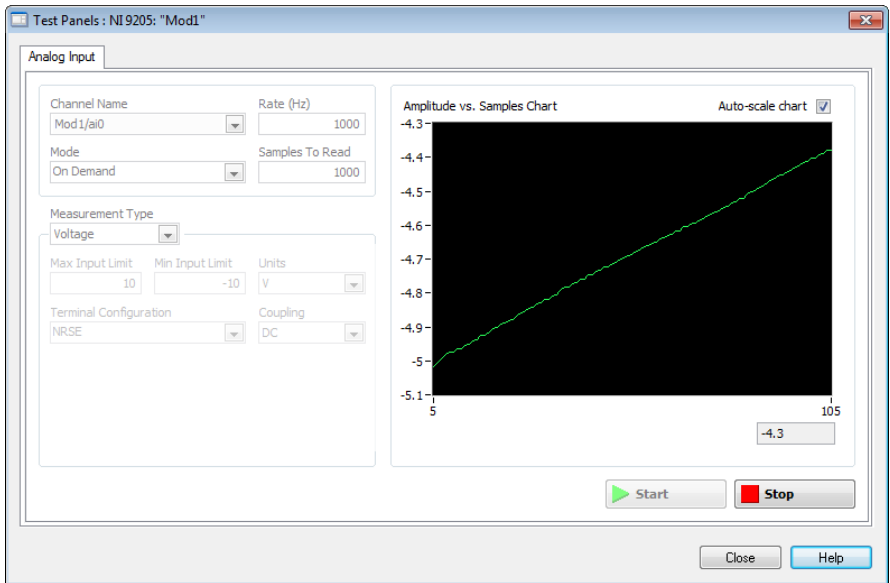
Field	Value
Hostname	NI-cRIO-9048-01C0F8C4
IP Address	0.0.0.0 (Ethernet) 172.22.11.2 (Ethernet)
DNS Name	
Vendor	National Instruments
Model	cRIO-9048
Serial Number	01C0F8C4
Firmware Version	5.6.000
Operating System	NI Linux Real-Time x64 4.9.33-123-5.6.0860
Status	Connected - Running
System Start Time	11/21/2017 12:05 PM
Comments	
Locale	English

If your cRIO-904x is present but the status is **Connected - Safe Mode (No Software Installed)**, complete the procedure to install software on the cRIO-904x in [Installing Software on the Controller](#).

3. Wire the C Series module as indicated in the C Series module documentation.
4. Right-click any module and select **Test Panels**, or select **Test Panels** from the main configuration window options.



5. Configure the measurement settings and click **Start**.

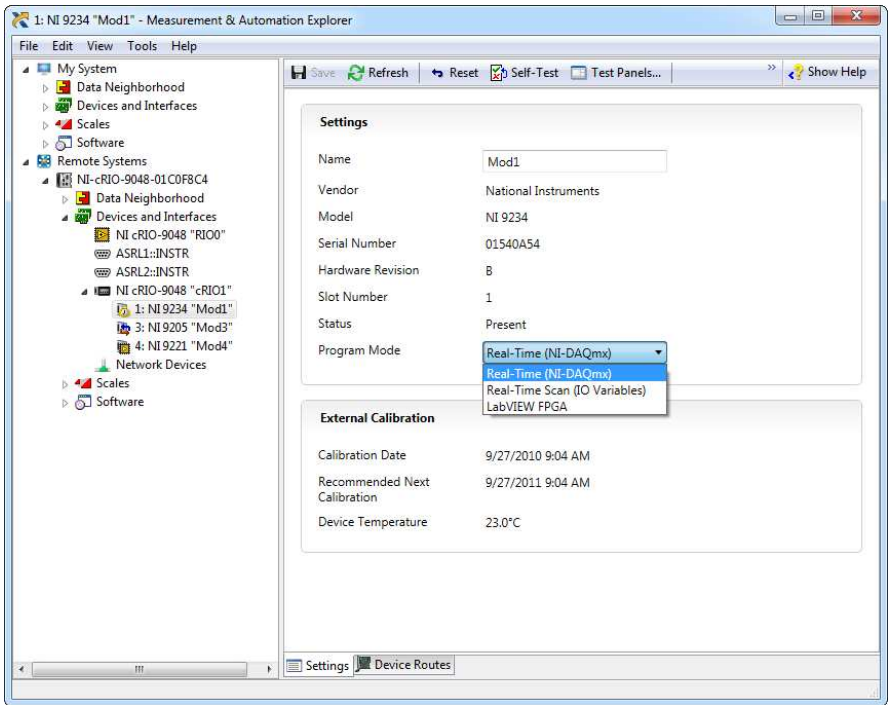


## Changing Module Programming Modes in MAX

Complete the following steps to deploy your C Series module in a new program mode in MAX.

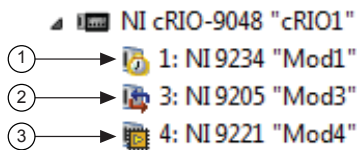
1. Launch MAX on the host computer.
2. Expand **Remote Systems** in the configuration tree and locate your cRIO-904x system.
3. Select the C Series module you wish to program.
4. In the **Settings** pane, choose the **Program Mode** you wish to deploy the module in from the drop-down menu.





5. Click **Save**.

The module is deployed in the program mode. Notice the module icon changes to represent the program mode.



1. Real-Time Mode
2. Real-Time Scan (IO Variables) Mode
3. LabVIEW FPGA Mode

# Troubleshooting the Controller

---

## The cRIO-904x is Not Communicating with the Network

- Ensure that the USB connections between the cRIO-904x and the host computer and the Ethernet connections between the host computer and the router are secure.
- Configure the IP and other network settings by completing the following steps.
  1. Use a USB-to-Type-A cable (included in the kit) to connect the cRIO-904x USB device port to a host computer. The USB driver creates a virtual network interface card and assigns an IP address to the cRIO-904x in the format of 172.22.11.x.
  2. In MAX, expand your system under **Remote Systems**.



**Tip** If you do not see the cRIO-904x under **Remote Systems**, use the **Troubleshoot Remote System Discovery** utility to walk through troubleshooting steps.

3. Select the **Network Settings** tab to configure the IP and other network settings.
4. (Optional) Use the RJ-45 Ethernet port 0 to reconnect the cRIO-904x to the host computer. The cRIO-904x attempts to initiate a DHCP network connection at powerup.



**Note** If the cRIO-904x cannot obtain an IP address, it connects to the network with a link-local IP address with the form 169.254.x.x. The host computer communicates with the cRIO-904x over a standard Ethernet connection.

- Ensure that you have the correct version of NI CompactRIO Device Drivers installed on the host computer. Visit [ni.com/info](http://ni.com/info) and enter the Info Code `swwsupport` for the minimum supported versions of LabVIEW and NI CompactRIO Device Drivers.



**Tip** If you have recently upgraded LabVIEW, you must reinstall NI CompactRIO Device Drivers.

- Ensure that the NI USBLAN adapter is recognized in the Device Manager. On Windows 7, select **Start»Control Panel»Device Manager»Network adapters»National Instruments»USBLAN adapter**. If the USBLAN adapter is not recognized, you must reinstall NI CompactRIO Device Drivers.
- Temporarily disable any network firewalls or other security software.

## Verify the System IP Configuration

1. Put the cRIO-904x in safe mode and enable the RS-232 serial port by holding the RESET button down for 5 seconds.

The STATUS LED starts blinking three times every few seconds.

- Use the RS-232 serial port terminal to read the IP address, or connect a monitor to the mini DisplayPort to view the IP address.



**Note** Refer to the *cRIO-904x User Manual* for more information about serial port configuration.

- Set a new DHCP connection by holding the RESET button down for 5 seconds. The STATUS LED repeats the same behavior from Step 1.

If the cRIO-904x fails to set a new DHCP address, it assigns itself a link-local IP address. If the DHCP connection is successful and appropriate for your application, skip to Step 6.

- In MAX, expand your system under Remote Systems.
- Select the **Network Settings** tab to configure the IP and other network settings.
- Reboot the cRIO-904x by pressing the RESET button.

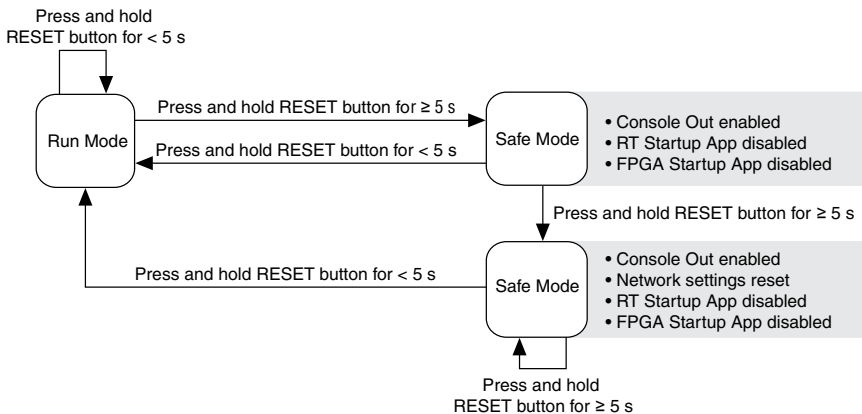
## Configure the Windows Firewall

- Add an exception for MAX to your network firewall or other security software by completing the following steps:
  - On Windows 7, select **Start»Control Panel»System and Security»Windows Firewall»Allow a program through Windows Firewall.**
  - Click **Allow another program.**
  - Select **Measurement & Automation.**
  - Click **Add.**
  - Click **OK.**
- Ensure that UDP port 44525 is open to communication on the host computer. If you are using an intelligent switch on the network, ensure that it is not disabling UDP port 44525.

## System Reset

The following figure shows the reset behavior of the cRIO-904x.

**Figure 6. Reset Button Behavior**



# STATUS LED Indicators

The following table describes the STATUS LED indicators.

**Table 3.** STATUS LED Indicators

LED Color	LED Pattern	Indication
Yellow	Blinks twice and pauses	<p>The cRIO-904x is in safe mode. Software is not installed, which is the factory default state, or software has been improperly installed on the cRIO-904x.</p> <p>An error can occur when an attempt to upgrade the software is interrupted. Reinstall software on the cRIO-904x. Refer to <a href="#">Installing Software on the Controller</a> for information about installing software on the cRIO-904x.</p>
	Blinks three times and pauses	<p>The cRIO-904x is in user-directed safe mode, or the cRIO-904x is in install mode to indicate that software is currently being installed.</p> <p>This pattern may also indicate that the user has forced the cRIO-904x to boot into safe mode by pressing the reset button for longer than five seconds or by enabling safe mode in MAX. Refer to the <i>Measurement &amp; Automation Explorer (MAX) Help</i> for information about safe mode.</p>
	Blinks four times and pauses	<p>The cRIO-904x is in safe mode. The software has crashed twice without rebooting or cycling power between crashes.</p>
	Continuously blinks	<p>The cRIO-904x has not booted into NI Linux Real-Time. The cRIO-904x either booted into an unsupported operating system, was interrupted during the boot process, or detected an unrecoverable software error.</p>
	On momentarily	<p>The cRIO-904x is booting. No action required.</p>

**Table 3. STATUS LED Indicators (Continued)**

LED Color	LED Pattern	Indication
Red	Continuously blinks	This indicates a hardware error. An internal power supply has failed. Check front-panel I/O and C Series module connections for shorts. Remove any shorts and cycle power the cRIO-904x. If the problem persists, contact NI.
	Solid	The cRIO-904x internal temperature has exceeded a critical threshold. Ensure the ambient operating temperature does not exceed the specified operating temperature. If the problem persists, contact NI.
—	Off	The cRIO-904x is in run mode. Software is installed and the operating system is running.

## Using the cRIO-904x in LabVIEW

Visit the following topics for information on how to create a new LabVIEW Project configured with the cRIO-904x, and how to deploy the C Series module in the Real-Time, Real-Time Scan (IO Variables), or LabVIEW FPGA program modes.

Using the cRIO-904x in LabVIEW	<b>Programming Modes:</b> <ul style="list-style-type: none"> <li>• Real-Time</li> <li>• Real-Time Scan (IO Variables)</li> </ul>	<ol style="list-style-type: none"> <li>1. <a href="#">Adding the cRIO-904x to a LabVIEW Project</a></li> <li>2. <a href="#">Deploying Your C Series Module in a Program Mode in LabVIEW</a></li> </ol>
Using the cRIO-904x in LabVIEW FPGA (Requires LabVIEW FPGA Module)	<b>Programming Modes:</b> <ul style="list-style-type: none"> <li>• Real-Time</li> <li>• Real-Time Scan (IO Variables)</li> <li>• LabVIEW FPGA</li> </ul>	<ol style="list-style-type: none"> <li>1. <a href="#">Adding the cRIO-904x to a LabVIEW FPGA Project</a></li> <li>2. <a href="#">Deploying Your C Series Module in a Program Mode in LabVIEW FPGA</a></li> </ol>

## Adding the cRIO-904x to a LabVIEW Project

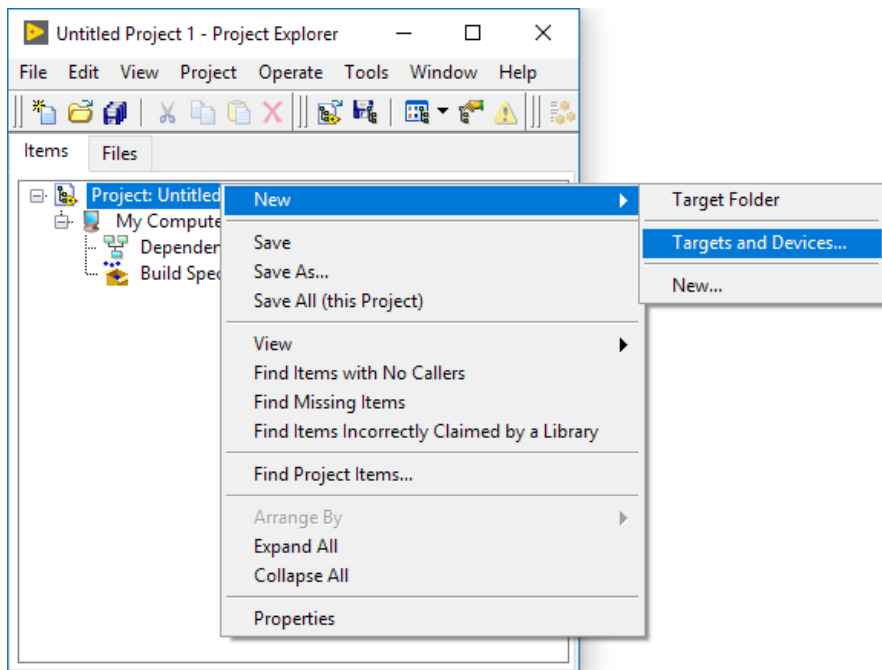
Complete the following steps to create a new LabVIEW project configured with the cRIO-904x controller.

You can use LabVIEW to program in Real-Time (NI-DAQmx) or Real-Time Scan (IO Variables) modes. For applications using advanced functionality that require programming the FPGA, LabVIEW FPGA Module is required to deploy C Series modules in the LabVIEW

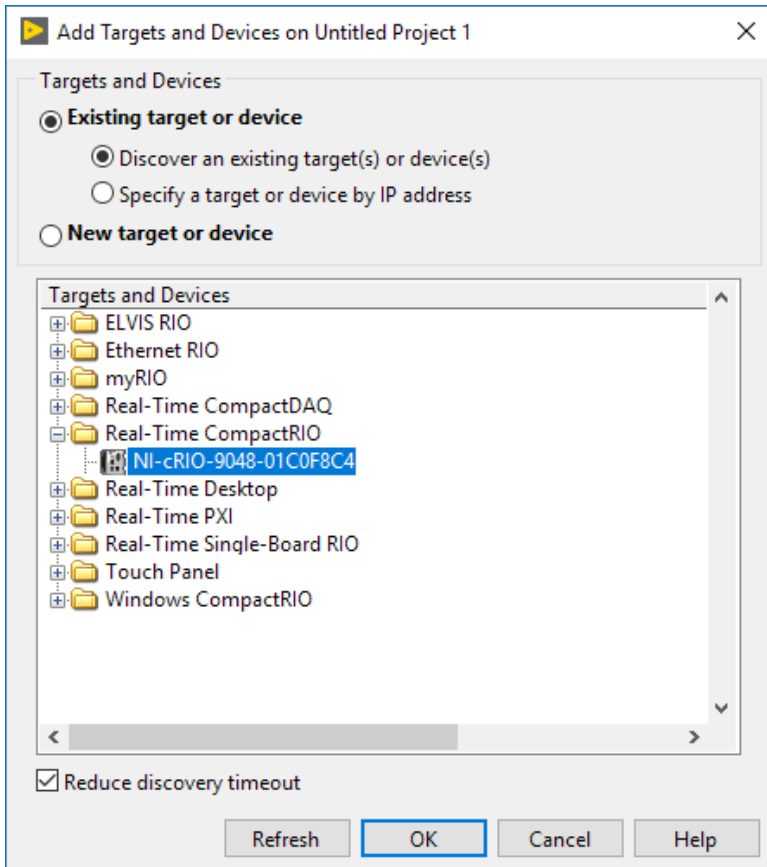
FPGA program mode. Refer to the [Adding the cRIO-904x to a LabVIEW FPGA Project](#) for more information.

Refer to "Choosing Your Programming Mode" in the *cRIO-904x User Manual* to determine which programming modes are right for your application.

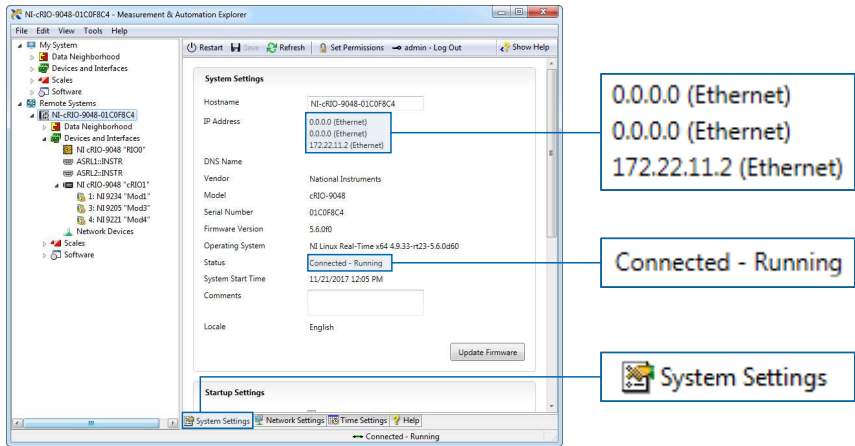
1. To create a new LabVIEW project, launch LabVIEW and click **Create Project**.
2. Select **Blank Project** from the **Create Project** dialog and click **Finish**.
3. To add your system to the project, right-click the top of the project tree and select **New»Targets and Devices** to launch the **Add Targets and Devices** discovery dialog.



4. In the **Add Targets and Devices** dialog, expand the **Real-Time CompactRIO** folder, select your system, and click **OK**.



**Note** If your system is not listed, LabVIEW could not detect it on the network. Ensure that your system is properly configured with a valid IP address in Measurement & Automation Explorer. If your system is on a remote subnet, you can also select to manually enter the IP address. You can locate the system IP address in MAX in the System Settings for the cRIO-904x.



5. In the LabVIEW Project Explorer, verify that your system is present in the project tree. Click **File»Save** to save the project.

The LabVIEW project is created. All C Series modules and corresponding I/O appear under Real-Time Resources by default, which indicates that all modules are deployed in Real-Time (NI-DAQmx) mode.



**Note** For information on how to change programming modes in LabVIEW, see [Deploying Your C Series Module in a Program Mode in LabVIEW](#).

## Deploying Your C Series Module in a Programming Mode in LabVIEW

Complete the following steps to deploy C Series modules in a new programming mode in the LabVIEW project.

1. Locate your C Series module in your LabVIEW project. If you just created the project, all C Series modules appear under Real-Time Resources, which indicates that they are in the Real-Time (NI-DAQmx) programming mode.
2. Drag your C Series module to **Real-Time Scan Resources**. This indicates you plan to use your module in Real-Time Scan (IO Variables) programming mode.
3. Right-click the cRIO-904x in the project and select **Deploy All** to deploy the module in the Real-Time Scan (IO Variables) programming mode.

Your module is now in Real-Time Scan mode.

4. Drag your C Series module back to **Real-Time Resources**. This indicates you plan to use your module in Real-Time (NI-DAQmx) programming mode.
5. Right-click the cRIO-904x in the project and select **Deploy All** to deploy the module in the Real-Time (NI-DAQmx) programming mode.

Your module is now in Real-Time (NI-DAQmx) mode.



## Programming Examples

For information on getting started with DAQmx programming mode examples in LabVIEW, go to [ni.com/info](http://ni.com/info) and enter the Info Code `crio0daqmx`. You can also access example projects in LabVIEW by selecting **Help»Find Examples**, and navigating to **Hardware Input and Output»CompactRIO**.

## Adding the cRIO-904x to a LabVIEW FPGA Project

Complete the following steps to create a new LabVIEW FPGA project configured with the cRIO-904x controller.

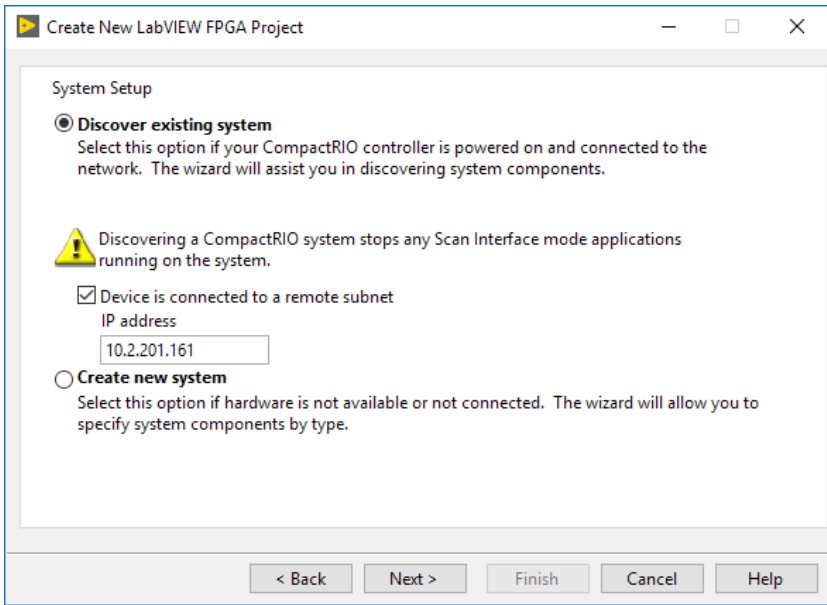
LabVIEW FPGA Module is required to program the user-accessible FPGA on the cRIO-904x or deploy C Series modules in the LabVIEW FPGA program mode. To program in Real-Time (NI-DAQmx) or Real-Time Scan (IO Variables) modes, the LabVIEW FPGA module is not required. Refer to [Adding the cRIO-904x to a LabVIEW Project](#) for more information.

Refer to "Choosing Your Programming Mode" in the *cRIO-904x User Manual* to determine which programming modes are right for your application.

1. To create a new LabVIEW project, launch LabVIEW and click **Create Project**.
2. Select **Templates»LabVIEW FPGA Project**.
3. Select the **CompactRIO Embedded System** project type and click **Next**.

The **System Setup** window opens, which will allow you to add your system to the project.

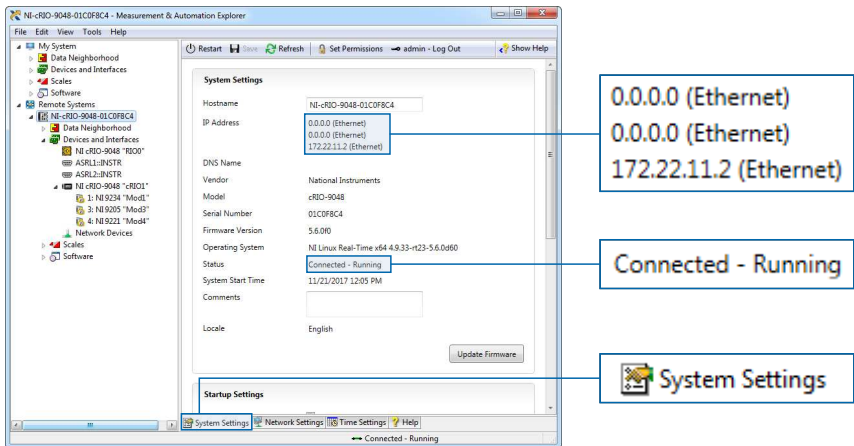
4. Under **Discover existing system**, check the box next to **Device is connected to a remote subnet IP address**.



5. Enter the IP address for the cRIO-904x and click **Next**.



**Note** You can locate the system IP address in MAX in the System Settings for the cRIO-904x.



6. In the LabVIEW Project Explorer, verify that your system is present in the project tree and click **Finish**.

The LabVIEW project is created. All C Series modules and corresponding I/O appear under the FPGA Target.



**Note** By default, all C Series modules appear under the FPGA Target, which indicates that all modules are selected for use in LabVIEW FPGA mode. For information on how to change programming modes in LabVIEW FPGA, visit [Deploying Your C Series Module in a Program Mode in LabVIEW FPGA](#).

## Deploying Your C Series Module in a Programming Mode in LabVIEW FPGA

Complete the following steps to deploy C Series modules in a new programming mode in the LabVIEW project.

1. Locate your C Series module in your LabVIEW project. If you just created the project, all C Series modules appear under the FPGA Target, which indicates that they are in the LabVIEW FPGA programming mode.
2. Drag your C Series module to **Real-Time Scan Resources**. This indicates you plan to use your module in Real-Time Scan (IO Variables) programming mode.
3. Right-click the cRIO-904x in the project and select **Deploy All** to deploy the module in the Real-Time Scan (IO Variables) programming mode.

Your module is now in Real-Time Scan mode.

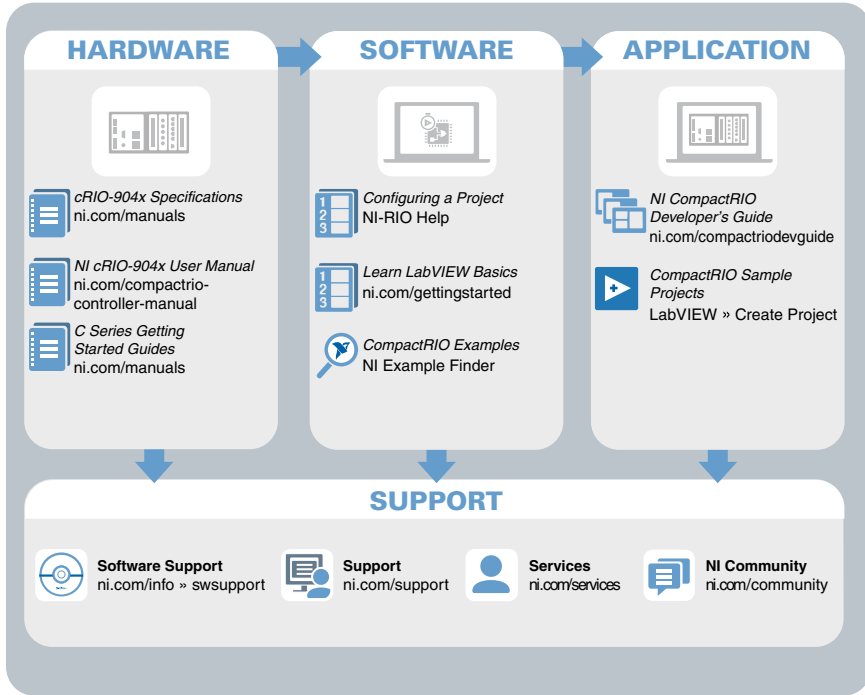
4. Drag your C Series module to **Real-Time Resources**. This indicates you plan to use your module in Real-Time (NI-DAQmx) programming mode.
5. Right-click the cRIO-904x in the project and select **Deploy All** to deploy the module in the Real-Time (NI-DAQmx) programming mode.

Your module is now in Real-Time (NI-DAQmx) mode.

### Programming Examples

For information on getting started with DAQmx programming mode examples in LabVIEW FPGA, go to [ni.com/info](http://ni.com/info) and enter the Info Code `daq2comboExample`.

# Where to Go Next



## Worldwide Support and Services

The NI website is your complete resource for technical support. At [ni.com/support](http://ni.com/support), you have access to everything from troubleshooting and application development self-help resources to email and phone assistance from NI Application Engineers.

Visit [ni.com/services](http://ni.com/services) for information about the services NI offers.

Visit [ni.com/register](http://ni.com/register) to register your NI product. Product registration facilitates technical support and ensures that you receive important information updates from NI.

NI corporate headquarters is located at 11500 North Mopac Expressway, Austin, Texas, 78759-3504. NI also has offices located around the world. For support in the United States, create your service request at [ni.com/support](http://ni.com/support) or dial 1 866 ASK MYNI (275 6964). For support outside the United States, visit the *Worldwide Offices* section of [ni.com/niglobal](http://ni.com/niglobal) to access the branch office websites, which provide up-to-date contact information.

Information is subject to change without notice. Refer to the *NI Trademarks and Logo Guidelines* at [ni.com/trademarks](http://ni.com/trademarks) for information on NI trademarks. Other product and company names mentioned herein are trademarks or trade names of their respective companies. For patents covering NI products/technology, refer to the appropriate location: **Help>Patents** in your software, the `patents.txt` file on your media, or the *National Instruments Patent Notice* at [ni.com/patents](http://ni.com/patents). You can find information about end-user license agreements (EULAs) and third-party legal notices in the `readme` file for your NI product. NI MAKES NO EXPRESS OR IMPLIED WARRANTIES AS TO THE ACCURACY OF THE INFORMATION CONTAINED HEREIN AND SHALL NOT BE LIABLE FOR ANY ERRORS. U.S. Government Customers: The data contained in this manual was developed at private expense and is subject to the applicable limited rights and restricted data rights as set forth in FAR 52.227-14, DFAR 252.227-7014, and DFAR 252.227-7015.

© 2018 National Instruments. All rights reserved.

377698A-01 August 28, 2018