

COMPREHENSIVE SERVICES

We offer competitive repair and calibration services, as well as easily accessible documentation and free downloadable resources.

SELL YOUR SURPLUS

We buy new, used, decommissioned, and surplus parts from every NI series. We work out the best solution to suit your individual needs.

 Sell For Cash  Get Credit  Receive a Trade-In Deal

OBSOLETE NI HARDWARE IN STOCK & READY TO SHIP

We stock **New**, **New Surplus**, **Refurbished**, and **Reconditioned** NI Hardware.



Bridging the gap between the manufacturer and your legacy test system.

 1-800-915-6216

 www.apexwaves.com

 sales@apexwaves.com

All trademarks, brands, and brand names are the property of their respective owners.

Request a Quote

 **CLICK HERE**

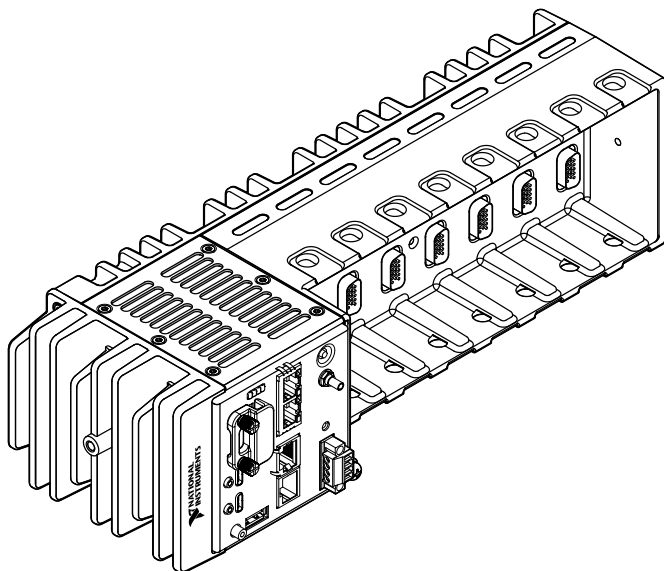
cRIO-9047

cRIO-904x

Embedded CompactRIO Controller with Real-Time Processor and Reconfigurable FPGA

This document describes the features of the cRIO-904x and contains information about mounting and operating the device.

In this document, the cRIO-9040, cRIO-9041, cRIO-9042, cRIO-9043, cRIO-9045, cRIO-9046, cRIO-9047, cRIO-9048, and cRIO-9049 are referred to collectively as cRIO-904x.



Contents

Configuring the cRIO-904x.....	3
Connecting the cRIO-904x to the Host Computer Using USB.....	3
Connecting the cRIO-904x to the Host Computer or Network Using Ethernet.....	4
Configuring Startup Options.....	4
cRIO-904x Features.....	6
Ports and Connectors.....	6
Buttons.....	12
LEDs.....	14
Chassis Grounding Screw.....	18
Internal Real-Time Clock.....	18
Digital Routing.....	19
Clock Routing.....	19
Synchronization Across a Network.....	20
CMOS Battery.....	22
Installing the Module Immobilization Accessory.....	22
Module Immobilization Accessory Dimensions.....	24
Mounting the Controller.....	25
Alternate Mounting Configurations.....	27
Mounting Requirements for the cRIO-904x.....	27
Dimensions.....	28
Mounting on a Flat Surface.....	29
Mounting on a Panel.....	32
Mounting on a DIN Rail.....	34
Mounting on a Rack.....	37
Mounting on a Desktop.....	37
BIOS Configuration.....	40
Resetting the System CMOS and BIOS Settings.....	40
Power-On Self Test Warning Messages.....	40
BIOS Setup Utility.....	41
Main Setup Menu.....	42
Advanced Setup Menu.....	42
Boot Setup Menu.....	44
Save & Exit Menu.....	45
Choosing Your Programming Mode.....	46
Analog Input with NI-DAQmx.....	47
Analog Output with NI-DAQmx.....	54
Digital Input/Output with NI-DAQmx.....	59
PFI with NI-DAQmx.....	71
Counters with NI-DAQmx.....	73
Counter Input Applications.....	77
Counter Output Applications.....	97
Counter Timing Signals.....	105
Worldwide Support and Services.....	110

Configuring the cRIO-904x

You can connect the cRIO-904x to a host computer or network and configure the startup options using the Dual Role USB C port or the RJ-45 Gigabit Ethernet port 0 or port 1.



Tip Refer to the *cRIO-904x Getting Started Guide* for basic configuration instructions and information about connecting to a host computer using the Dual Role USB C port. NI recommends using the Dual Role USB C port for configuration, debug, and maintenance.

Connecting the cRIO-904x to the Host Computer Using USB

Connect your cRIO-904x to your host computer.



Note Refer to *Ports and Connectors* for connector and port locations.

Complete the following steps to connect the cRIO-904x to the host computer using the Dual Role USB C Port.

1. Power on the host computer.
2. Connect the cRIO-904x to the host computer using the USB-to-Type-A cable (included in kit), inserting the USB Type-C connector into the Dual Role USB Type-C port. Connect the other end of the USB cable (Type-A) to the host computer.

The device driver software automatically detects the cRIO-904x. Select **Configure and install software to this device**.



If the device driver software does not detect the cRIO-904x, verify that you installed the appropriate NI software in the correct order on the host computer as described in "Installing Software on the Host Computer" in the *cRIO-904x Getting Started Guide*.

Connecting the cRIO-904x to the Host Computer or Network Using Ethernet

Complete the following steps to connect the cRIO-904x to a host computer or Ethernet network using the RJ-45 Gigabit Ethernet port 0. NI recommends using the RJ-45 Gigabit Ethernet port 0 for communication with deployed systems.



Note You can configure the RJ-45 Gigabit Ethernet port 1 in Measurement & Automation Explorer (MAX) under the **Network Settings** tab.

1. Power on the host computer or Ethernet hub.
2. Connect the RJ-45 Gigabit Ethernet port 0 on the cRIO-904x to the host computer or Ethernet hub using a standard Category 5 (CAT-5) or better shielded, twisted-pair Ethernet cable.



Notice To prevent data loss and to maintain the integrity of your Ethernet installation, do not use a cable longer than 100 m (328 ft).

The cRIO-904x attempts to initiate a DHCP network connection the first time you connect using Ethernet. The cRIO-904x connects to the network with a link-local IP address with the form 169.254.x.x if it is unable to initiate a DHCP connection.

Finding the cRIO-904x on the Network (DHCP)

Complete the following steps to find the cRIO-904x on a network using DHCP.

1. Disable secondary network interfaces on the host computer, such as a wireless access card on a laptop.
2. Ensure that any anti-virus and firewall software running on the host computer allows connections to the host computer.



Note MAX uses UDP on port 44525. Refer to the documentation of your firewall software for information about configuring the firewall to allow communication through this port.

3. Launch MAX on the host computer.
4. Expand **Remote Systems** in the configuration tree and locate your system.



Tip MAX lists the system under the model number followed by the serial number, such as NI-cRIO-904x-1856AAA.



Tip If you do not see the cRIO-904x under **Remote Systems**, use the **Troubleshoot Remote System Discovery** utility to walk through troubleshooting steps.

Configuring Startup Options

Complete the following steps to configure the cRIO-904x startup options in MAX.

1. In MAX, expand your system under Remote Systems.
2. Select the **Startup Settings** tab to configure the startup settings.

cRIO-904x Startup Options

You can configure the following cRIO-904x startup options.

Table 1. cRIO-904x Startup Options


Startup Option	Description
Force Safe Mode	Rebooting the cRIO-904x with this setting on starts the cRIO-904x without launching LabVIEW Real-Time or any startup applications. In safe mode, the cRIO-904x launches only the services necessary for updating configuration and installing software.
Enable Console Out	Rebooting the cRIO-904x with this setting on redirects the console output to the RS-232 serial port. You can use a serial-port terminal program to read the IP address and firmware version of the cRIO-904x. Use a null-modem cable to connect the RS-232 serial port to a computer. Make sure that the serial-port terminal program is configured to the following settings: <ul data-bbox="286 651 565 826" style="list-style-type: none">• 115,200 bits per second• Eight data bits• No parity• One stop bit• No flow control
Disable RT Startup App	Rebooting the cRIO-904x with this setting on prevents any LabVIEW startup applications from running.
Disable FPGA Startup App	Rebooting the cRIO-904x with this setting on prevents autoloading of any FPGA application.
Enable Secure Shell (SSH) Logins	Rebooting the cRIO-904x with this setting on starts sshd on the cRIO-904x. Starting sshd enables logins over SSH, an encrypted communication protocol.  Note Visit ni.com/info and enter the Info Code <code>openssh</code> for more information about SSH.

Table 1. cRIO-904x Startup Options (Continued)

Startup Option	Description
LabVIEW Project Access	Rebooting the cRIO-904x with this setting on enables you to add the target to a LabVIEW project.
Enable Embedded UI	Rebooting the cRIO-904x with this setting on enables the embedded UI, which allows you to interact with the front panels of VIs running on the cRIO-904x using input and display devices connected directly to the cRIO-904x. You can also browse and edit files on the cRIO-904x within a graphical working environment. For more information, refer to the <i>Using the Embedded UI to Access RT Target VIs</i> topic in the <i>LabVIEW Help</i> .

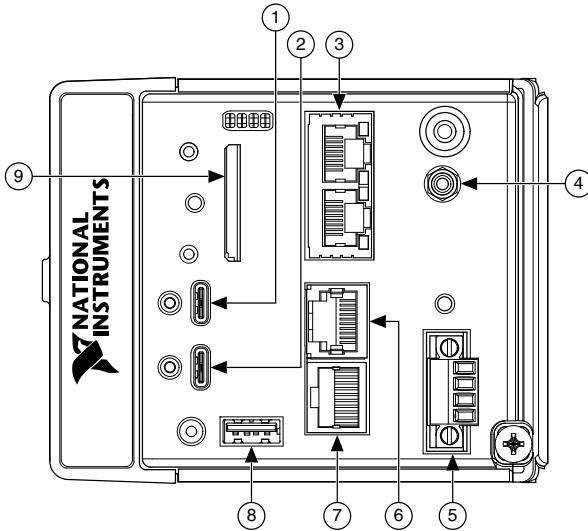
cRIO-904x Features

The cRIO-904x provides the following features.

Ports and Connectors

The cRIO-904x provides the following ports and connectors.

Figure 1. cRIO-904x Ports and Connectors



- | | |
|---|------------------------------|
| 1. USB 3.1 Type-C Dual Role | 6. RS-232 Serial Port |
| 2. USB 3.1 Type-C with DisplayPort Alt Mode | 7. RS-485 Serial Port |
| 3. RJ-45 Gigabit Ethernet Ports | 8. USB 2.0 Type-A |
| 4. PFI 0 | 9. SD Card Removable Storage |
| 5. Power Connector | |

USB 3.1 Type-C Dual Role

The USB 3.1 Type-C Dual Role port implements dual role functionality and is capable of functioning as either a USB 3.1 Gen1 host or device. When operating as a host, the port supports common USB devices such as mass-storage devices, keyboards, mice, and USB cameras. When operating a device, use this port to connect the cRIO-904x to a host PC. The USB device functionality provides an alternate method to connect the cRIO-904x to a host PC and is intended for configuration, application deployment, debugging, and maintenance. The role of the port is determined automatically based on the cable inserted into the port. For example, the port will automatically function as a device when the cRIO-904x is connected to a host PC using the NI USB Type-C male to Type-A male cable provided in the kit.

USB 3.1 Type-C with DisplayPort Alt Mode

The USB 3.1 Type-C with DisplayPort Alt Mode port implements both a USB 3.1 Gen1 host and a DisplayPort 1.2 source using the USB Type-C DisplayPort alternate mode. Use a USB Type-C video adapter or monitor supporting the DisplayPort alternate mode to use this port as a display output. Alternatively, this port may be used as a standard USB host port and supports common USB devices such as mass-storage devices, keyboards, mice, and USB cameras. Use a USB Type-C male to USB Type-A female adapter to use this port with USB devices

implementing a type-A male connector. Use a USB Type-C multiport adapter to simultaneously use this port as a display output and a USB host port.

The following NI USB Type-C adapters are available for the cRIO-904x.

Table 2. NI USB Type-C Adapters for cRIO-904x

Adapter	Length	Part Number
USB to DVI Adapter with Retention, USB Type-C Male to DVI-D Female	0.5 m	143558-0R5
USB to VGA Adapter with Retention, USB Type-C Male to VGA Female	0.5 m	143557-0R5
USB Cable with Retention, Type-C Male to Type-A Female, USB 3.1, 3A	0.5 m	143555-0R5

The following NI USB Type-C cables with retention are available for the cRIO-904x.

Table 3. NI USB Type-C Cables for cRIO-904x

Cable	Length	Part Number
USB Cable with Retention, Type-C Male to Type-C Male, USB 3.1, 3A	0.3 m	143556-0R3
	1 m	143556-01
	1 m	143556-02

PFI 0

The Programmable Function Interface (PFI) terminal is a SMB connector.

Table 4. Signal Descriptions

Signal	Reference	Description
PFI 0	—	Programmable Function Interface—You can configure the PFI terminal as a timing input or timing output signal for AI, AO, DI, DO, or counter/timer functions.

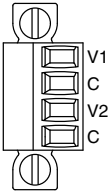


Note The PFI 0 terminal can only be programmed with NI-DAQmx.

Power Connector

The cRIO-904x has a power connector to which you can connect a primary and secondary power supply. The following table shows the pinout for the power connector.

Table 5. Power Connector Pinout

Pinout	Pin	Description
	V1	Primary power input
	C	Common
	V2	Secondary power input
	C	Common



Caution The C terminals are internally connected to each other, but are functionally isolated from chassis ground. This isolation is intended to prevent ground loops, but does not meet IEC 61010-1 for safety isolation. You can connect the C terminals to chassis ground externally. Refer to the specifications on ni.com/manuals for information about the power supply input range and maximum voltage from terminal to chassis ground.

If you apply power to both the V1 and V2 inputs, the cRIO-904x operates from the V1 input. If the input voltage to V1 is insufficient, the cRIO-904x operates from the V2 input.

The cRIO-904x has reverse-voltage protection.

The following NI power supplies and accessories are available for the cRIO-904x.

Table 6. Power Accessories

Accessory	Part Number
NI PS-15 Power Supply, 24 VDC, 5 A, 100-120/200-240 VAC Input	781093-01
NI PS-10 Desktop Power Supply, 24 VDC, 5 A, 100-120/200-240 VAC Input	782698-01
4-Position Gold Power Supply Plugs (Quantity 5)	783529-01
NI 9979 Strain Relief for 4-Position Power Connector	196939-01

SD Card Removable Storage

The cRIO-904x provides an SD card slot that can read from and write to SD cards. The slot supports SD card interface speeds up to UHS-I DDR50.



Notice Using SD cards that are not approved by NI might invalidate specifications and result in unreliable performance.



Notice Full and high-speed SD cards are prohibited for use with the cRIO-904x.

The following accessories are available from the SD card slot.

Table 7. cRIO-904x SD Storage Accessories

SD Card	Capacity	Part Number
Industrial SD Card, -40 to 85 °C, UHS-I	16 GB	786362-01
	32 GB	786363-01
SD Door (x3)	-	786218-01

SD Card Slot Cover

You must use the SD card slot cover to protect the SD card in hazardous locations. Do not remove an SD card while either LED is flashing or lit because file corruption may result.



Note Screw the slot cover closed completely. Tighten the captive screws to a maximum torque of 0.75 N · m (6.7 lb · in.) using a #1 Phillips screwdriver. Do not overtighten.

RS-232 Serial Port

The cRIO-904x has an RS-232 serial port that is implemented with an RJ-50, 10-position modular jack to which you can connect devices such as displays or input devices. Use the Serial VIs to read from and write to the serial port. Refer to the *LabVIEW Help* for information about the Serial VIs.

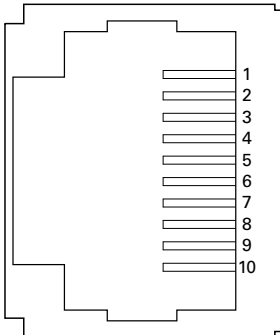
Find examples on how to use NI-Serial or NI-VISA to perform serial communication in the NI Example Finder. The NI Example Finder is located on the Help menu in the *LabVIEW Help*.



Note The RS-232 serial port cannot be accessed by the user application when the Console Out startup option is enabled.

The following table shows the pinout for the RS-232 serial port.

Table 8. RS-232 Serial Port Pinout

Pinout	Pin	Signal
	1	No Connect
	2	RI
	3	CTS
	4	RTS
	5	DSR
	6	GND
	7	DTR
	8	TXD
	9	RXD
	10	DCD

You can use the Ring Indicator (RI) on pin 2 to wake the controller from a low-power state. You can drive RI with a logic level high to wake the cRIO-904x. Refer to the specifications on ni.com/manuals for the RI wake voltage.

The following accessories are available to connect the RS-232 serial port to a 9-pin DSUB plug.

Table 9. RS-232 Serial Port Accessories

Accessory	Length	Part Number
RS-232, S8 Serial Cable, 10-Position Modular Plug to 9-Pin DSUB	1 m	182845-01
	2 m	182845-02
	3 m	182845-03

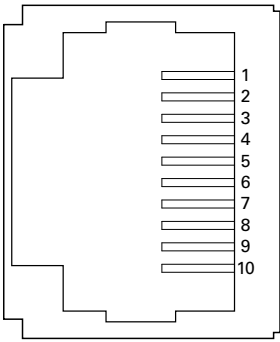
RS-485 Serial Port

The cRIO-904x has an RS-485 serial port that is implemented with an RJ-50, 10-position modular jack. The RJ-50 connector is isolated from the cRIO-904x. For more information about the electrical isolation of the RS-485 port, refer to the specifications on ni.com/manuals.

Find examples on how to use NI-Serial or NI-VISA to perform serial communication in the NI Example Finder. The NI Example Finder is located on the Help menu in the *LabVIEW Help*.

The following table shows the pinout for the RS-485 serial port.

Table 10. RS-485 Serial Port Pinout

Pinout	Pin	Signal
	1	No Connect
	2	TXD-
	3	TXD+
	4	No Connect
	5	No Connect
	6	RXD-
	7	RXD+
	8	No Connect
	9	No Connect
	10	Isolated GND

The following accessory is available to connect the RS-485 serial port to a 9-pin DSUB plug.



Notice To ensure the specified EMC performance, you must use an isolated cable with the RS-485 serial port. The following accessory meets this requirement.

Table 11. RS-485 Serial Port Accessory

Accessory	Length	Part Number
RS-485, S8 Serial Cable, 10-Position Modular Plug to 9-Pin DSUB (Isolated)	1 m	184428-01

USB 2.0 Type-A

The USB 2.0 Type-A port implements a USB 2.0 Type-A host and supports common USB devices such as mass-storage, devices, keyboards, mice, and USB cameras.

The following NI cables with retention are available for the cRIO-904x.

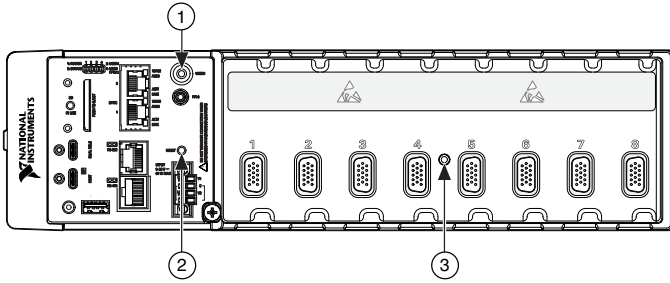
Table 12. NI Cables with Retention for cRIO-904x

Cable	Length	Part Number
USB Extension with Retention, Type-A Male to Type-A Female, USB 2.0	0.5 m	152166-0R5
	2 m	152166-02

Buttons

The cRIO-904x provides the following buttons.

Figure 2. cRIO-904x Buttons



1. USER1 Button
2. RESET Button
3. CMOS Reset Button

USER1 Button

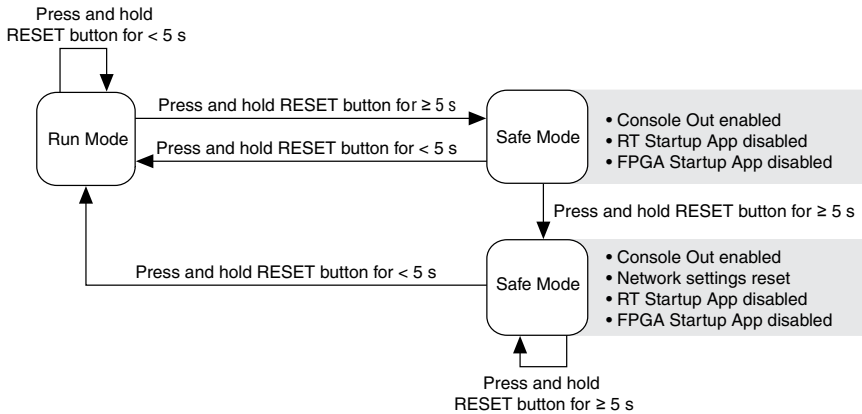
The cRIO-904x has a general-purpose USER1 button that is user-defined. You can read the state of the USER1 button from your LabVIEW FPGA application.

RESET Button

Press the RESET button to reset the processor in the same manner as cycling power.

The following figure shows the reset behavior of the cRIO-904x.

Figure 3. Reset Button Behavior



For more information about using the RESET button for network troubleshooting, see [Troubleshooting Network Connectivity](#).

Troubleshooting Network Connectivity

You can use the RESET button to troubleshoot network connectivity.

Complete the following steps to reset the network adapters to default settings.

1. Hold the RESET button for 5 seconds, and then release it to boot the controller in safe mode and enable Console Out.
2. Hold the RESET button again for 5 seconds to boot the controller into safe mode, enable Console Out, and reset network adapters to default settings.

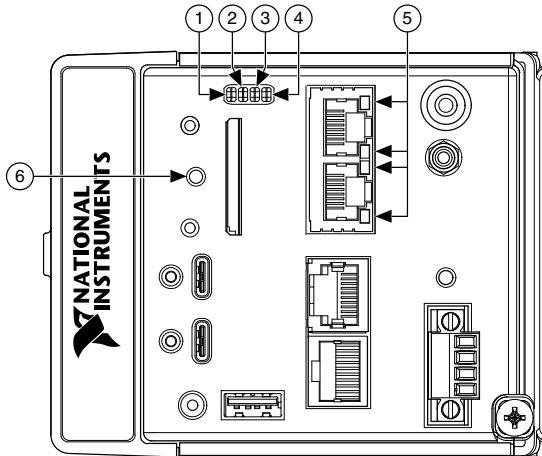
CMOS Reset Button

The cRIO-904x has a CMOS reset button that you can use to reset the CMOS and the BIOS.

LEDs

Learn more about the LEDs for your cRIO-904x.

Figure 4. cRIO-904x Front Panel LEDs



- | | |
|---------------|--------------------------|
| 1. POWER LED | 4. USER FPGA1 LED |
| 2. STATUS LED | 5. Gigabit Ethernet LEDs |
| 3. USER1 LED | 6. SD In Use LED |

POWER LED Indicators

The POWER LED on the cRIO-904x indicates which power input is in use, as shown in the following table.

Table 13. POWER LED Indicators

LED Color	LED Pattern	Indication
Green	Solid	The cRIO-904x is powered from the V1 input.
Yellow	Solid	The cRIO-904x is powered from the V2 input.
—	Off	The cRIO-904x is powered off.

For more information about connecting the cRIO-904x to power, refer to "Connecting the Controller to Power" in the *cRIO-904x Getting Started Guide* .

STATUS LED Indicators

The following table describes the STATUS LED indicators.

Table 14. STATUS LED Indicators

LED Color	LED Pattern	Indication
Yellow	Blinks twice and pauses	<p>The cRIO-904x is in safe mode. Software is not installed, which is the factory default state, or software has been improperly installed on the cRIO-904x.</p> <p>An error can occur when an attempt to upgrade the software is interrupted. Reinstall software on the cRIO-904x. Refer to "Installing Software on the Controller" in the <i>cRIO-904x Getting Started Guide</i> for information about installing software on the cRIO-904x.</p>
	Blinks three times and pauses	<p>The cRIO-904x is in user-directed safe mode, or the cRIO-904x is in install mode to indicate that software is currently being installed.</p> <p>This pattern may also indicate that the user has forced the cRIO-904x to boot into safe mode by pressing the reset button for longer than five seconds or by enabling safe mode in MAX. Refer to the RESET Button for information about safe mode.</p>
	Blinks four times and pauses	<p>The cRIO-904x is in safe mode. The software has crashed twice without rebooting or cycling power between crashes.</p>
	Continuously blinks	<p>The cRIO-904x has not booted into NI Linux Real-Time. The cRIO-904x either booted into an unsupported operating system, was interrupted during the boot process, or detected an unrecoverable software error.</p>
	On momentarily	<p>The cRIO-904x is booting. No action required.</p>

Table 14. STATUS LED Indicators (Continued)

LED Color	LED Pattern	Indication
Red	Continuously blinks	This indicates a hardware error. An internal power supply has failed. Check front-panel I/O and C Series module connections for shorts. Remove any shorts and cycle power the cRIO-904x. If the problem persists, contact NI.
	Solid	The cRIO-904x internal temperature has exceeded a critical threshold. Ensure the ambient operating temperature does not exceed the specified operating temperature. If the problem persists, contact NI.
—	Off	The cRIO-904x is in run mode. Software is installed and the operating system is running.

Ethernet LED Indicators

The following table lists the Ethernet LED indicators.

Table 15. Ethernet LED Indicators

LED	LED Color	LED Pattern	Indication
ACT/LINK	-	Off	LAN link not established
	Green	Solid	LAN link established
		Flashing	Activity on LAN
10/100/1000	Yellow	Solid	1,000 Mbit/s data rate selected
	Green	Solid	100 Mbit/s data rate selected
	-	Off	10 Mbit/s data rate selected

SD In Use LED Indicator

The cRIO-904x has a SD In Use LED to indicate the card drive mount status. The following table lists details of the SD In Use LED indicator.

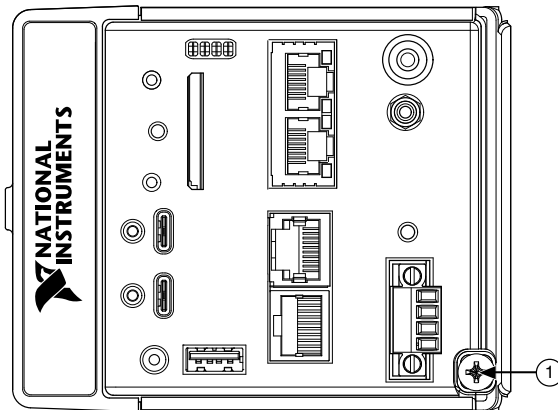
Table 16. SD In Use LED Indicator

LED	LED Color	LED Pattern	Indication
SD IN USE	Green	Off	There is no SD card present in the slot or the cRIO-904x has unmounted the SD card from the operating system. It is safe to remove the SD card from the slot.
		Solid	The SD card in the slot is mounted in the operating system. Do not remove the SD card while this LED is lit.

Chassis Grounding Screw

The cRIO-904x provides a chassis grounding screw.

Figure 5. cRIO-904x Chassis Grounding Screw



1. Chassis Grounding Screw

For information about grounding the cRIO-904x, see "Grounding the Controller" in the *cRIO-904x Getting Started Guide*.

For more information about ground connections, visit ni.com/info and enter the Info Code emcground.

Internal Real-Time Clock

The cRIO-904x contains an internal real-time clock that maintains system time when the cRIO-904x is powered off. The system clock of the cRIO-904x is synchronized with the internal real-time clock at startup. You can set the real-time clock using the BIOS setup utility or MAX, or you can set the real-time clock programmatically using LabVIEW.

Refer to the model specifications on ni.com/manuals for the real-time clock accuracy specifications.

Digital Routing

The digital routing circuitry of the cRIO-904x manages the flow of data between the bus interface and the acquisition and generation sub-systems when programming C Series modules in Real-Time (NI-DAQmx) mode. The subsystems include analog input, analog output, digital I/O, and counters. The digital routing circuitry uses FIFOs (if present) in each sub-system to ensure efficient data movement.



Note When programming C Series modules in FPGA mode, the flow of data between the modules and the bus interface is programmed using LabVIEW FPGA.

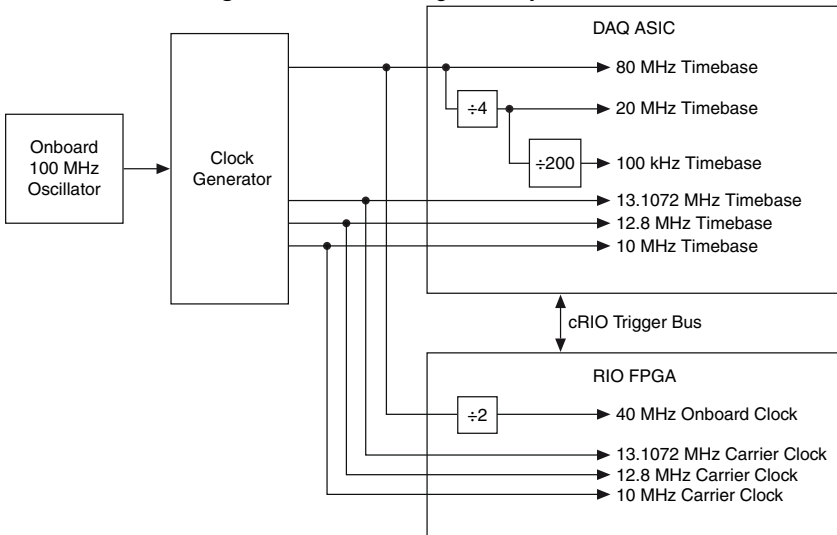
The digital routing circuitry also routes timing and control signals. The acquisition and generation sub-systems use these signals to manage and synchronize acquisitions and generations. These signals can come from the following sources:

- C Series modules programmed in Real-Time (NI-DAQmx) mode
- User input through the PFI terminals using parallel digital C Series modules or the cRIO-904x PFI 0 terminal
- FPGA or DAQ ASIC using the cRIO trigger bus to share hardware triggers and signals between the LabVIEW FPGA and DAQmx applications

Clock Routing

The following figure shows the clock routing circuitry of the cRIO-904x.

Figure 6. Clock Routing Circuitry of the cRIO-904x



Note When switching between programming modes, you may notice the terms timebase and clock used interchangeably. This is due to the DAQ ASIC and the RIO

FPGA using different terminology for timing and clock mechanisms. The documentation will use the term based on the programming mode discussed.

80 MHz Timebase

When programming C Series modules in Real-Time (NI-DAQmx) mode, the 80 MHz timebase can function as the source input to the 32-bit general-purpose counter/timers. The 80 MHz timebase is generated from the onboard oscillator.

20 MHz and 100 kHz Timebases

When programming C Series modules in Real-Time (NI-DAQmx) mode, the 20 MHz and 100 kHz timebases can be used to generate many of the analog input and analog output timing signals. These timebases can also function as the source input to the 32-bit general-purpose counter/timers. The 20 MHz and 100 kHz timebases are generated by dividing down the 80 MHz timebase, as shown in the previous figure.

40 MHz Onboard Clock

When programming C Series modules in FPGA mode, the 40 MHz onboard clock is used as the top-level clock for your LabVIEW FPGA application and C Series module IO nodes. The 40 MHz onboard clock can be used to clock single-cycle timed loops. Derived clocks of varying frequency can be generated from the 40 MHz onboard clock. The 40 MHz onboard clock is phase aligned with the incoming 80 MHz clock.

13.1072 MHz, 12.8 MHz, and 10 MHz Timebases and Carrier Clocks

When programming C Series modules in Real-Time (NI-DAQmx) mode, the 13.1072 MHz, 12.8 MHz, and 10 MHz timebases can be used to generate many of the analog input and analog output timing signals. These timebases can also function as the source input to the 32-bit general-purpose counter/timers. The 13.1072 MHz, 12.8 MHz, and 10 MHz timebases are generated directly from the onboard clock generator.

When programming C Series modules in FPGA mode, the 13.1072 MHz, 12.8 MHz, and 10 MHz carrier clocks can be used as the master clock for C Series analog input and analog output modules. The 13.1072 MHz, 12.8 MHz, and 10 MHz carrier clocks are available as IO Nodes in LabVIEW FPGA applications and can be used to correlate the onboard clocks with self-timed C Series modules containing free-running clocks.

Synchronization Across a Network

Internal Timebase

The onboard 100 MHz oscillator automatically synchronizes to other network-synchronized devices that are part of the local IEEE 802.1AS or IEEE 1588-2008 subnet, depending on the active time reference that is being used on the controller.

The 80 MHz, 40 MHz, 20 MHz, 100 kHz, 13.1072 MHz, 12.8 MHz, and 10 MHz timebases are derived from the onboard oscillator and are synchronized to it. Therefore, the timebases are also synchronized to other network-synchronized timebases on the IEEE 802.1AS or

IEEE 1588-2008 subnet. This enables analog input, analog output, digital I/O, and counter/timers to be synchronized to other chassis across a distributed network.

When programming C Series modules in FPGA mode, the Time Synchronization IO Nodes can be used to synchronize the LabVIEW FPGA application to other network-synchronized devices.

Network-based Synchronization

IEEE 1588, also known as the precision time protocol (PTP), is an Ethernet-based synchronization method designed for cabled, local networks. The PTP protocol provides a fault tolerant method of synchronizing all participating clocks to the highest quality clock in the network. This method of synchronization between networked devices uses packet-based communication and is possible over the long distances allowed for each Ethernet link, without signal propagation impact. IEEE 1588 has many different profiles, such as IEEE 802.1AS-2011, each of which use different features. Because the profiles are not interoperable with each other, make sure it is known which profile is implemented on the device. For devices on the network to synchronize with each other using IEEE 1588, all devices must be compatible with the desired IEEE 1588 profile and must all be connected within the selected IEEE 1588 profile-compliant network infrastructure.

The cRIO-904x controllers are compatible with both the IEEE 802.1AS-2011 profile and the IEEE 1588-2008 (1588v2) Delay Request-Response profile. However, each network port must be configured individually to the specific profile required for the network.

Differences Between IEEE 802.1AS-2011 and IEEE 1588-2008

IEEE 802.1AS-2011, also known as the generalized precision time protocol (gPTP), is a profile of IEEE 1588. A cRIO-904x controller can be configured to use either the IEEE 802.1AS-2011 profile or the IEEE 1588-2008 profile by configuring the port's time reference. If a user does not explicitly specify which time reference to use a cRIO-904x controller will default to use the IEEE 802.1AS-2011 profile. There are some differences between the IEEE 802.1AS-2011 profile and the IEEE 1588-2008 profile which are called out below:

- IEEE 802.1AS-2011 assumes all communication between devices is done on the OSI layer 2, while IEEE 1588-2008 can support various layer 2 and layer 3-4 communication methods. The IEEE 1588-2008 profile National Instruments implements on the cRIO-904x only supports layer 3-4 communication methods. Operating on the layer 2 yields better performance for the IEEE 802.1AS-2011.
- IEEE 802.1AS-2011 only communicates gPTP information directly with other IEEE 802.1AS devices within a system. Therefore, there must be IEEE 802.1AS-2011 support along the entire path from one IEEE 802.1AS-2011 device to another. With IEEE 1588-2008, it is possible to use non-IEEE 1588-2008 switches between two IEEE 1588-2008 devices. The benefit of having IEEE 802.1AS-2011 support along the entire path is a faster performance and lower jitter compared to IEEE 1588-2008.
- With IEEE 802.1AS-2011 there are only two types of time-aware systems: time-aware end stations and time-aware bridges. Whereas with IEEE 1588-2008, there are the following: ordinary clock, boundary clock, end-to-end transparent clock and a time-aware bridges. Based on these factors, IEEE 802.1AS-2011 can reduce complexity and

configuration challenges compared to IEEE 1588-2008. A cRIO-904x controller acts as a time-aware end station for both protocols.

IEEE 1588 External Switch Requirements

To take advantage of the network synchronization features of the cRIO-904x controllers, ensure that your network infrastructure meets certain requirements depending on which IEEE 1588 profile is implemented for your application:

- IEEE 802.1AS-2011 support—Automatically enables timebase synchronization and enables the use of time-based triggers and timestamping between devices across the network. Synchronization performance will meet NI product specifications.
- IEEE 1588-2008 support—Enables timebase synchronization and enables the use of time-based triggers and timestamping between devices across the network. Synchronization performance will vary and may not meet NI product specifications. As a default configuration for IEEE 1588-2008, NI supports the IEEE 1588 Delay Request-Response profile, using the UDP over IP transport (layer 3-4).

CMOS Battery

The cRIO-904x contains a CMOS battery. The CMOS battery is a lithium cell battery that stores the system clock information when the cRIO-904x is powered off. There is only a slight drain on the CMOS battery when power is applied to the cRIO-904x power connector. The rate at which the CMOS battery drains when power is disconnected depends on the ambient storage temperature. For longer battery life, store the cRIO-904x at a cooler temperature and apply power to the power connector. Refer to the specifications for your model on ni.com/manuals for the expected battery lifetime.

The CMOS BATTERY IS DEAD warning appears onscreen during the power-on self test if the battery is dead. The cRIO-904x still starts, but the system clock is reset to the date and time of the BIOS release. The battery is not user-replaceable. If you need to replace the CMOS battery, contact NI. Refer to the specifications for your model on ni.com/manuals for information about battery disposal.

Installing the Module Immobilization Accessory

The Module Immobilization accessory ensures that the C Series module latches cannot be retracted and modules cannot be removed from a system. The Module Immobilization accessory provides extra system assurance and security when shipping and installing systems, and prevents accidental removal from a system during operation.

When using the Module Immobilization accessory, NI recommends installing the accessory prior to mounting the system in any enclosure because the accessory requires tool access to the top, right, and bottom of the cRIO-904x.

What to Use

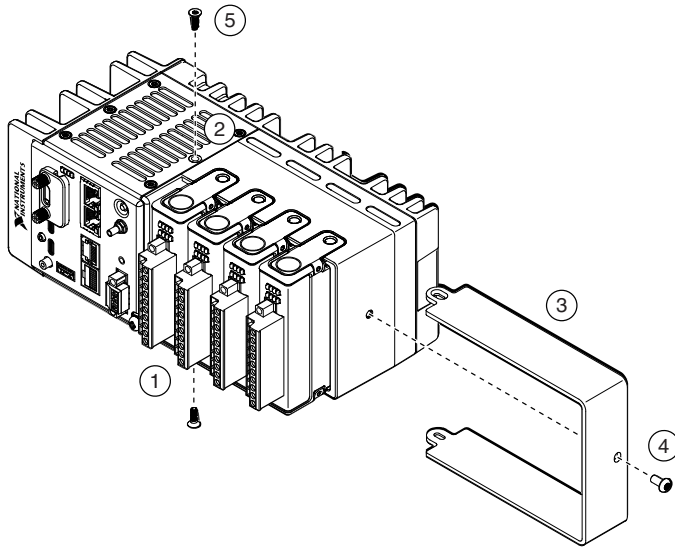
- cRIO-904x
- C Series modules

- Module Immobilization accessory kit: 158533-01 for 8-slot models, 158534-01 for 4-slot models
 - Module immobilization bracket
 - Installation screws¹
 - M4 x 0.7 button-head screw, 8 mm
 - M3 x 0.5 flat-head screws (x2), 10 mm
- Torx T10/T10H driver
- Torx T20/T20H driver

What to Do

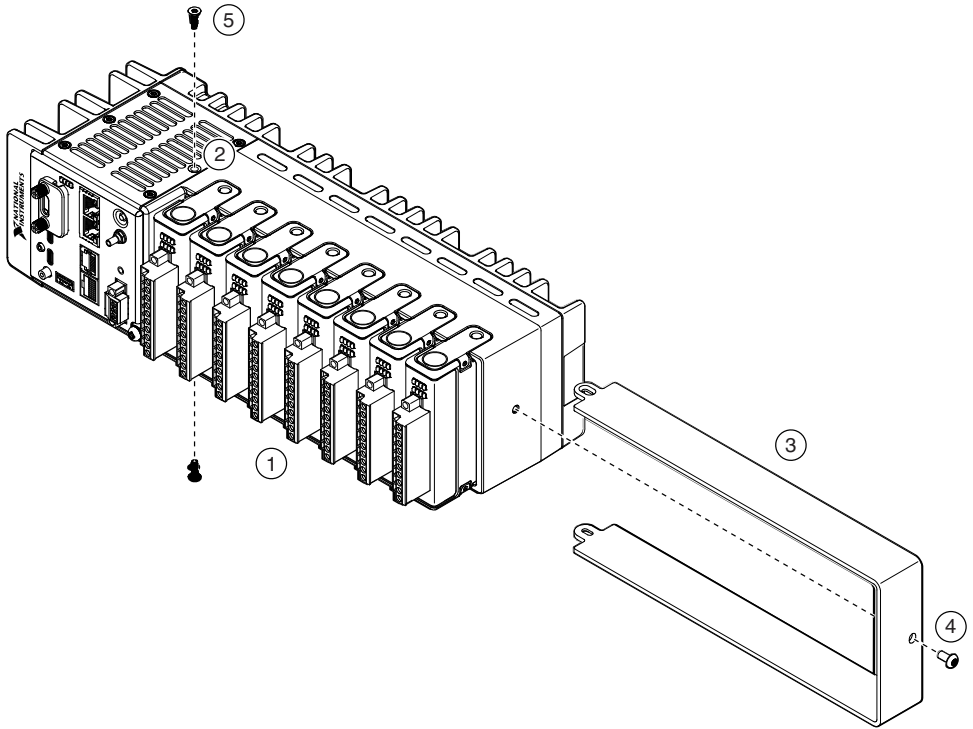
Complete the following steps to install the Module Immobilization accessory.

Figure 7. 4-slot cRIO-904x Module Immobilization Accessory Installation



¹ The Module Immobilization accessory kit includes two sets of screws. One set is a standard set of screws that require a standard driver type, Torx T10 and T20. The other set is a tamper-resistant set of screws that require a security driver type, Torx T10H and T20H. Use the tamper-resistant set to help prevent unintended modification of the system.

Figure 8. 8-slot cRIO-904x Module Immobilization Accessory Installation



1. Ensure that all the C Series modules are installed in the cRIO-904x and the latches are locked in place.
2. Remove the center right panel screw from the top and bottom of the cRIO-904x using the Torx T10 driver.
3. Slide the bracket into place, aligning the three clearance screw holes.
4. Install the M4 x 0.7 button-head screw in the right end of the cRIO-904x using the appropriate Torx T20 driver. Tighten the screw to a maximum torque of $1.3 \text{ N} \cdot \text{m}$ ($11.5 \text{ lb} \cdot \text{in.}$).
5. Install the two M3 x 0.5 flat-head screws from the accessory kit in the top and bottom of the cRIO-904x using the appropriate Torx T10 driver. Tighten the screws to a maximum torque of $1.3 \text{ N} \cdot \text{m}$ ($11.5 \text{ lb} \cdot \text{in.}$).



Tip NI recommends using a liquid thread locker for all fasteners if the system is expected to experience vibration for an extended amount of time.

Module Immobilization Accessory Dimensions

The following figure shows the Module Immobilization accessory dimensions for the cRIO-904x.

Figure 9. 4-slot cRIO-904x Module Immobilization Accessory Dimensions

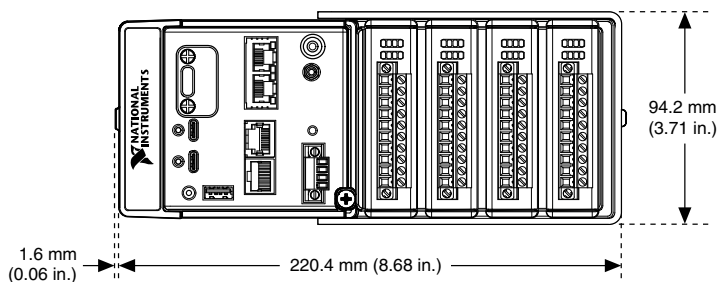
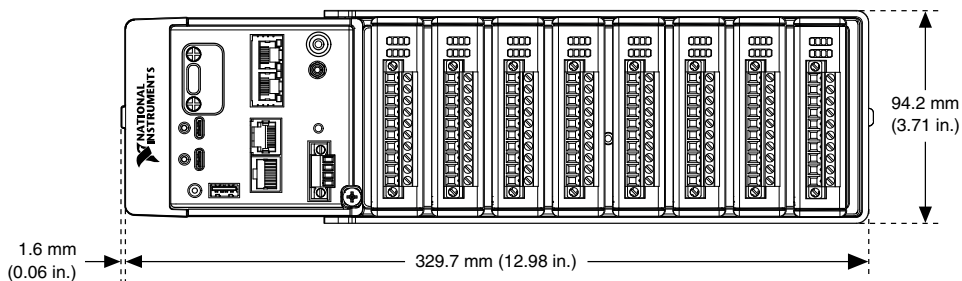


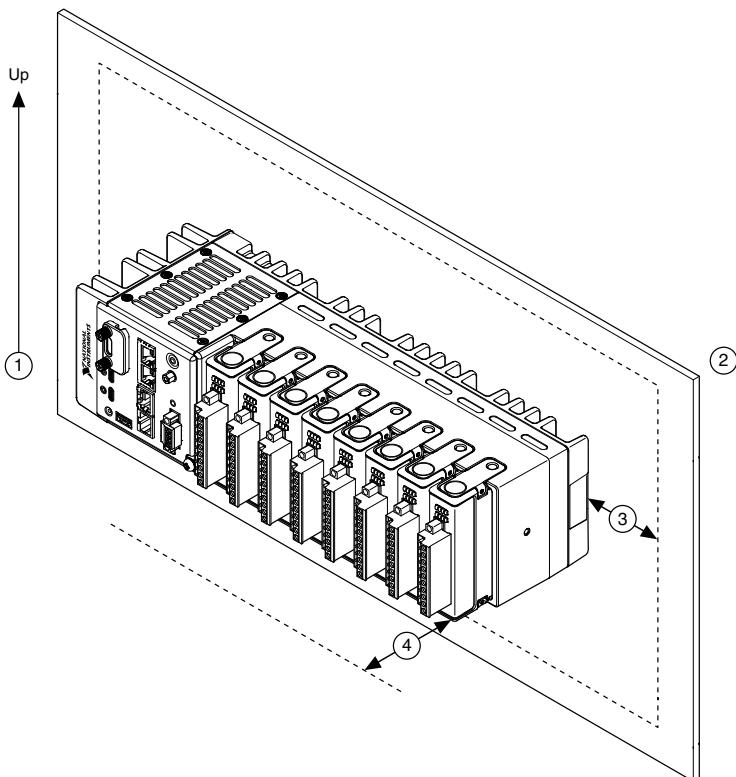
Figure 10. 8-slot cRIO-904x Module Immobilization Accessory Dimensions



Mounting the Controller

To obtain the maximum ambient temperature, you must mount the cRIO-904x in the reference mounting configuration shown in the following image. Mounting the cRIO-904x in the reference mounting configuration ensures that your system will operate correctly across the full operating temperature range and provide optimal C Series module accuracy. Observe the following guidelines to mount the cRIO-904x in the reference mounting configuration.

Figure 11. cRIO-904x Reference Mounting Configuration



①	Horizontal mounting orientation.
②	<p>Mounting substrate options:</p> <ul style="list-style-type: none"> • Mount the cRIO-904x directly to a metallic surface that is at least 1.6 mm (0.062 in.) thick and extends a minimum of 101.6 mm (4 in.) beyond all edges of the device. • Use the NI Panel Mounting Kit to mount the cRIO-904x to a metallic surface that is at least 1.6 mm (0.062 in.) thick and extends a minimum of 101.6 mm (4 in.) beyond all edges of the device.
③	Observe the cooling dimensions in the Mounting Requirements section.
④	Allow space for cabling clearance according to the Mounting Requirements section.



Tip Before using any of these mounting methods, record the serial number from the back of the cRIO-904x so that you can identify the cRIO-904x in MAX. You will be unable to read the serial number after you mount the cRIO-904x.

Alternate Mounting Configurations

The maximum operating temperature may be reduced for any mounting configuration other than the reference mounting configuration. A 10 °C (18 °F) reduction in maximum operating temperature is sufficient for most alternate mounting configurations. Follow the guidelines above for all mounting configurations.

The published accuracy specifications, although not guaranteed for alternate mounting configurations, may be met depending on the system power and the thermal performance of the alternate mounting configuration.

Contact NI for further details regarding the impact of common alternate mounting configurations on maximum operating temperature and module accuracy.

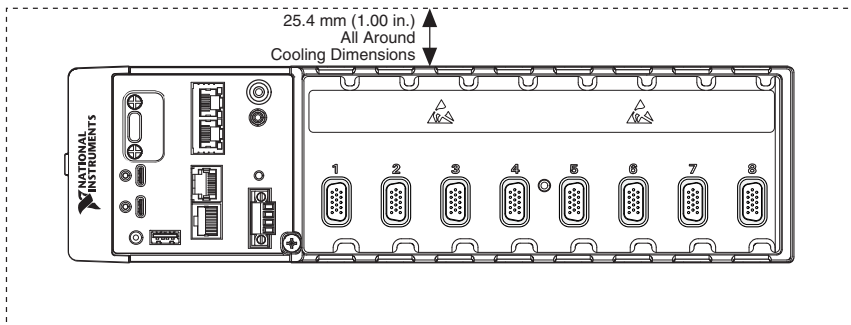
Mounting Requirements for the cRIO-904x

Use the following to ensure you meet the cooling and cabling clearance requirements for mounting cRIO-904x models.

Your installation must meet the following requirements for cooling and cabling clearance for all cRIO-904x models.

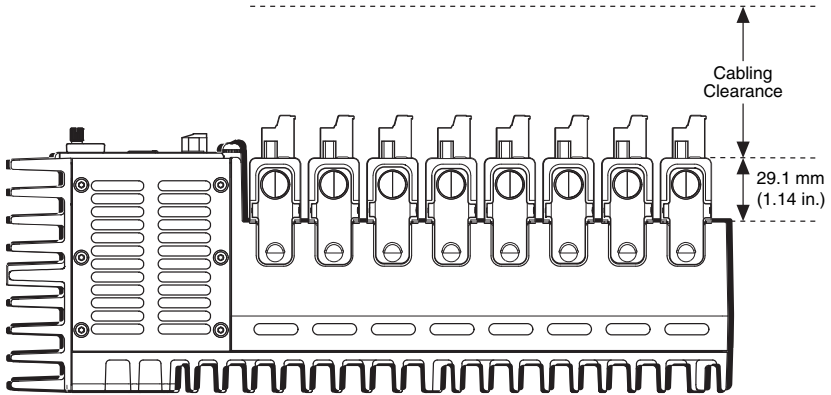
Allow 25.4 mm (1.00 in.) on all sides of the cRIO-904x for air circulation, as shown in the following figure.

Figure 12. cRIO-904x Cooling Dimensions



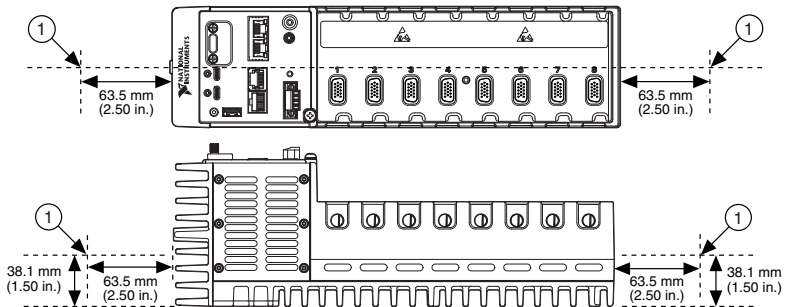
Allow the appropriate space in front of C Series modules for cabling clearance, as shown in the following figure. The different connector types on C Series modules require different cabling clearances. For a complete list of cabling clearances for C Series modules, visit ni.com/info and enter the Info Code `crioconn`.

Figure 13. cRIO-904x Cabling Clearance



Measure the ambient temperature at each side of the cRIO-904x, 63.5 mm (2.50 in.) from the side and 38.1 mm (1.50 in.) forward from the rear of the cRIO-904x, as shown in the following figure.

Figure 14. Ambient Temperature Location



1. Measure the ambient temperature here.

Dimensions

The following figures show the front and side dimensions of the cRIO-904x. For detailed dimensional drawings and 3D models, visit ni.com/dimensions and search for the model number.

Figure 15. cRIO-904x 4-slot Controller Front Dimensions

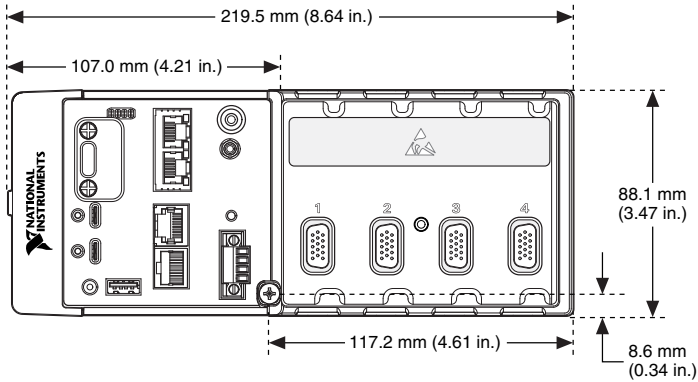


Figure 16. cRIO-904x 8-slot Controller Front Dimensions

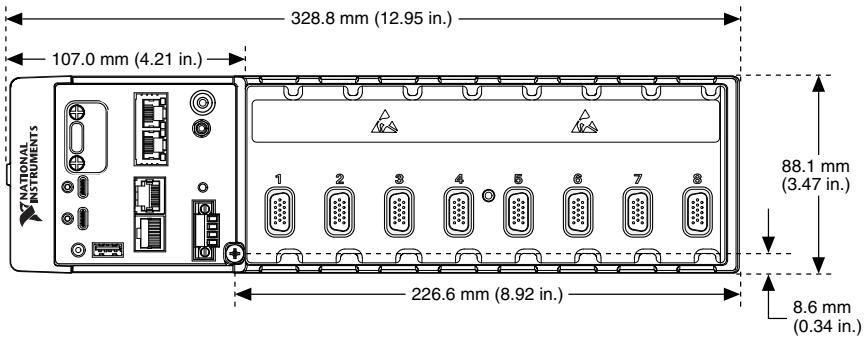
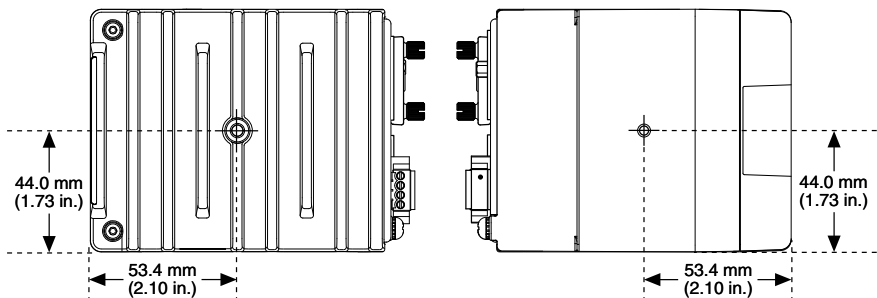


Figure 17. cRIO-904x Side Dimensions



Mounting on a Flat Surface

For environments with high shock and vibration, NI recommends mounting the cRIO-904x directly on a flat, rigid surface using the mounting holes in the cRIO-904x.

What to Use

- cRIO-904x
- M4 screws, user provided, which must not exceed 8 mm of insertion into the cRIO-904x
 - x4 for 4-slot models
 - x6 for 8-slot models

Figure 18. Mounting the 4-slot cRIO-904x Directly on a Flat Surface

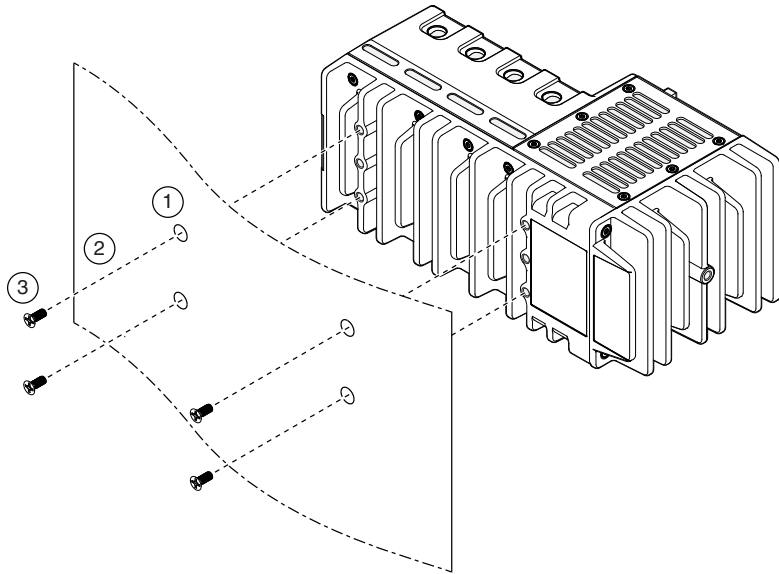
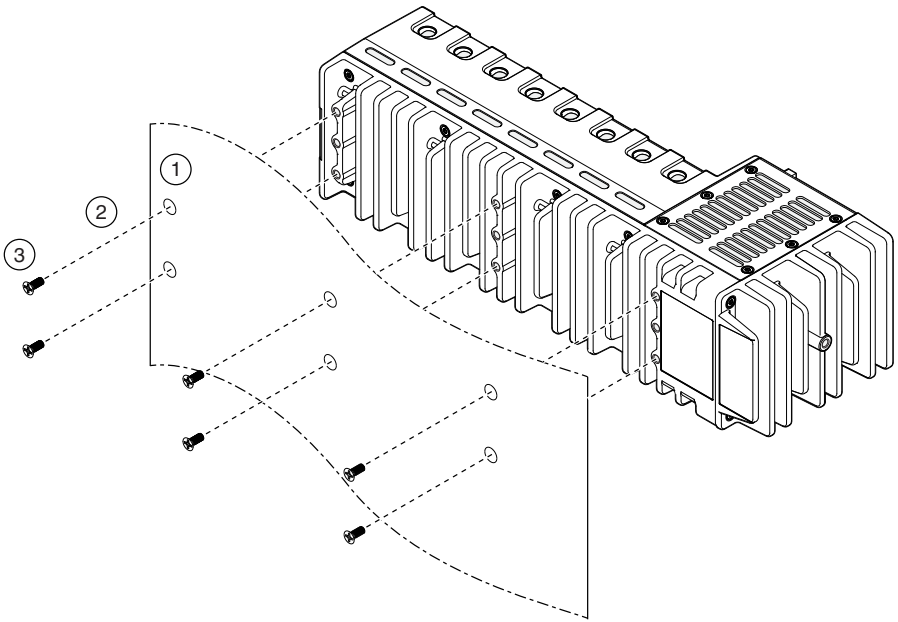


Figure 19. Mounting the 8-slot cRIO-904x Directly on a Flat Surface



1. Prepare the surface for mounting the cRIO-904x using the [Surface Mounting Dimensions](#).
2. Align the cRIO-904x on the surface.
3. Fasten the cRIO-904x to the surface using the M4 screws appropriate for the surface. Screws must not exceed 8 mm of insertion into the cRIO-904x. Tighten the screws to a maximum torque of 1.3 N · m (11.5 lb · in.).

Surface Mounting Dimensions

The following figures show the surface mounting dimensions for the 4-slot and 8-slot cRIO-904x models.

Figure 20. 4-slot cRIO-904x Surface Mounting Dimensions

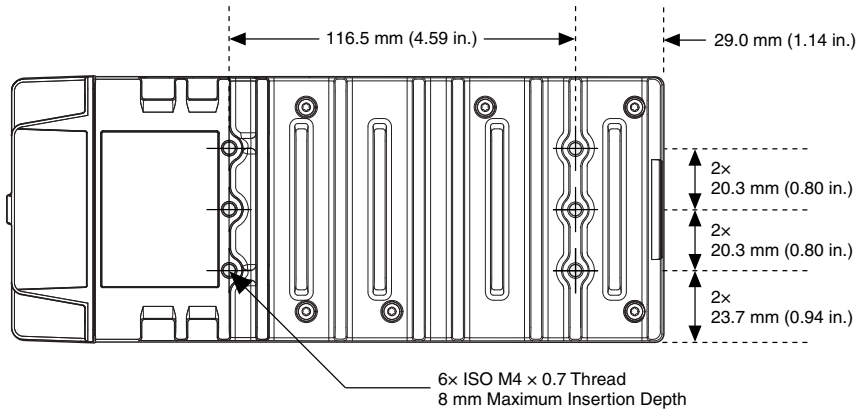
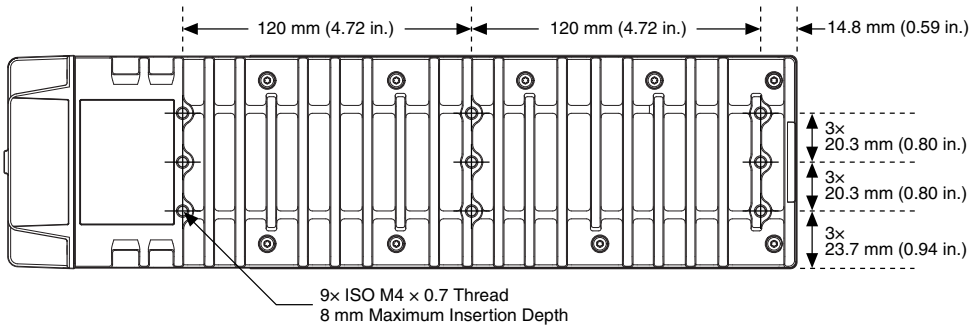


Figure 21. 8-slot cRIO-904x Surface Mounting Dimensions



Mounting on a Panel

You can use the NI panel mounting kit to mount the cRIO-904x on a panel.

What to use

- cRIO-904x
- Screwdriver, Phillips #2
- NI panel mounting kit
 - 4-slot models - 157253-01
 - Panel mounting plate
 - M4 x 10 screws (x4)
 - 8-slot models - 157267-01
 - Panel mounting plate
 - M4 x 10 screws (x6)

Figure 22. Mounting the 4-slot cRIO-904x on a Panel

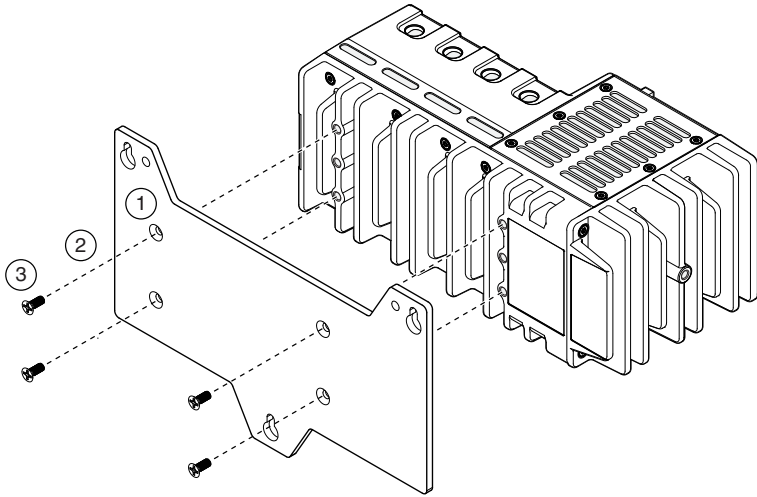
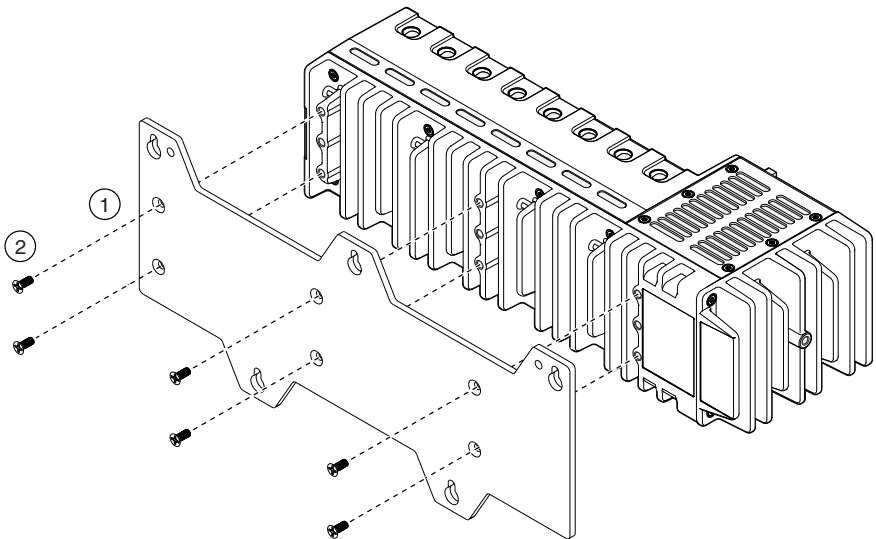


Figure 23. Mounting the 8-slot cRIO-904x on a Panel



1. Align the cRIO-904x and the panel mounting plate.
2. Fasten the panel mounting plate to the cRIO-904x using the screwdriver and M4 x 10 screws. Tighten the screws to a maximum torque of 1.3 N · m (11.5 lb · in.).

You must use the screws provided with the NI panel mounting kit because they are the correct depth and thread for the panel mounting plate.

- Fasten the panel mounting plate to the surface using the screwdriver and screws that are appropriate for the surface. The maximum screw size is M5 or number 10.

Panel Mounting Dimensions

The following figures show the panel mounting dimensions for the 4-slot and 8-slot cRIO-904x models.

Figure 24. 4-slot cRIO-904x Panel Mounting Dimensions

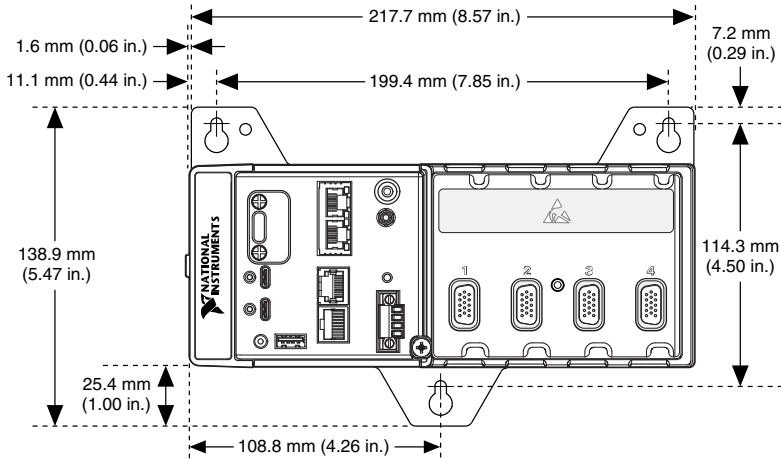
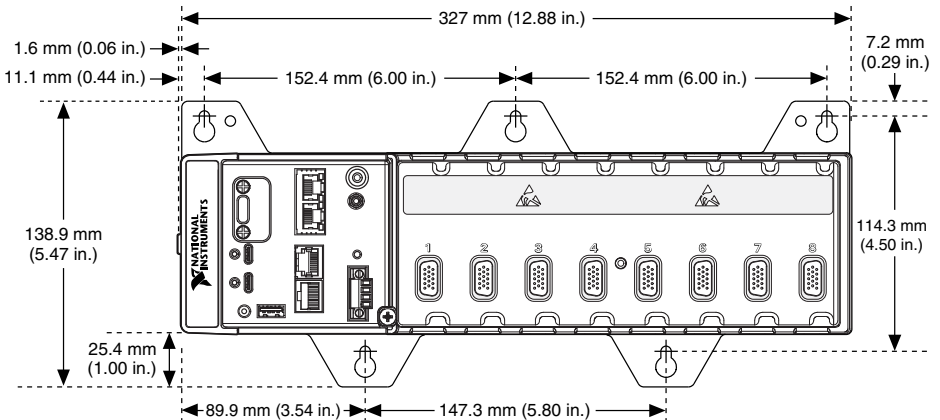


Figure 25. 8-slot cRIO-904x Panel Mounting Dimensions



Mounting on a DIN Rail

You can use the NI DIN rail mounting kit to mount the cRIO-904x on a standard 35-mm DIN rail.

What to use

- cRIO-904x
- Screwdriver, Phillips #2
- NI DIN rail mounting kit
 - 4-slot models - 157254-01
 - DIN rail clip
 - M4 x 10 screws (x2)
 - 8-slot models - 157268-01
 - DIN rail clip
 - M4 x 10 screws (x3)

Figure 26. Mounting the 4-slot cRIO-904x on a DIN Rail

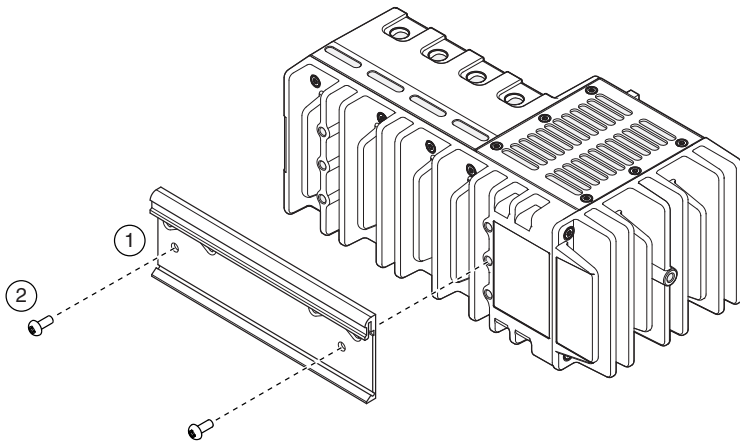
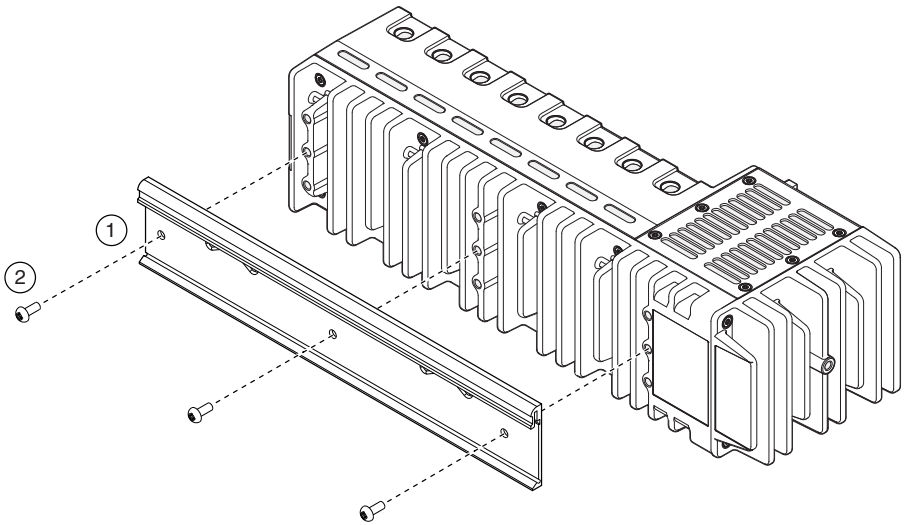


Figure 27. Mounting the 8-slot cRIO-904x on a DIN Rail



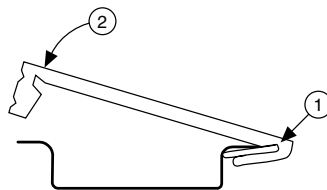
1. Align the cRIO-904x and the DIN rail clip.
2. Fasten the DIN rail clip to the cRIO-904x using the screwdriver and M4 x 10 screws. Tighten the screws to a maximum torque of 1.3 N · m (11.5 lb · in.).

You must use the screws provided with the NI DIN rail kit because they are the correct depth and thread for the DIN rail clip.

Clipping the Controller on a DIN Rail

Complete the following steps to clip the controller on a DIN rail.

Figure 28. Clipping the Controller on a DIN Rail



1. Insert one edge of the DIN rail into the deeper opening of the DIN rail clip.
2. Press down firmly to compress the spring until the clip locks in place on the DIN rail.



Notice Ensure that no C Series modules are in the controller before removing it from the DIN rail.

Mounting on a Rack

You can use the following rack mount kits to mount the controller and other DIN rail-mountable equipment on a standard 482.6 mm (19 in.) rack.

- Industrial Rack Mount Kit, 786411-01
- NI Rack-Mounting Kit, 781989-01



Note You must use the appropriate NI DIN rail mounting kit for your model in addition to a rack-mounting kit.

Mounting on a Desktop

You can use the NI desktop mounting kit to mount the cRIO-904x on a desktop.

What to use

- cRIO-904x
- Screwdriver, Phillips #2
- NI desktop mounting kit, 779473-01
 - Desktop mounting brackets (x2)

Figure 29. Mounting the 4-slot cRIO-904x on a Desktop

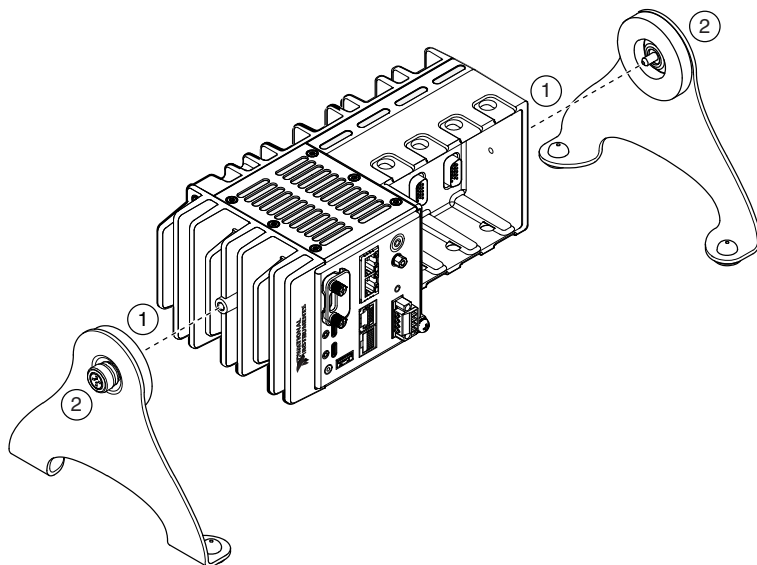
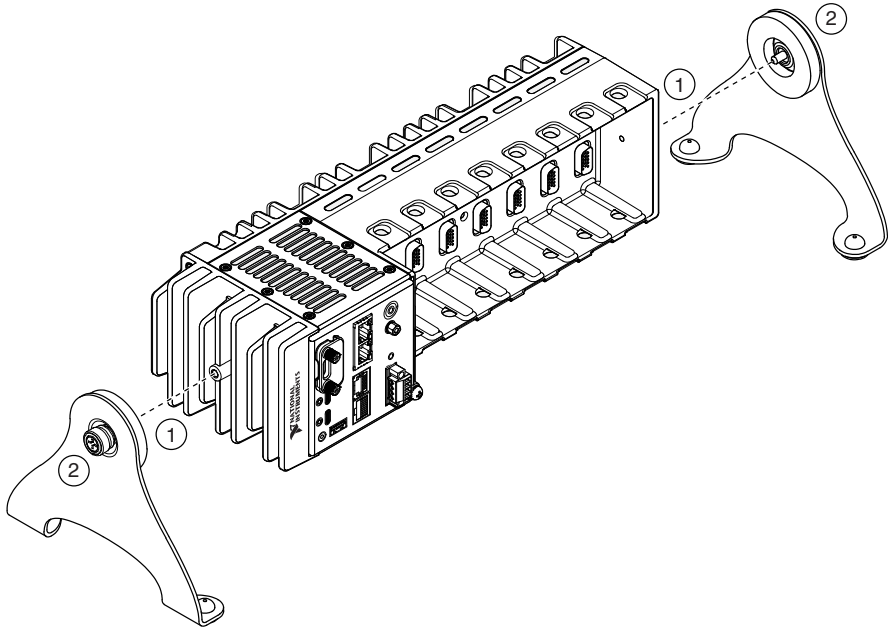


Figure 30. Mounting the 8-slot cRIO-904x on a Desktop



1. Align the brackets with the mounting holes on the ends of the cRIO-904x.
2. Use the screwdriver to tighten the captive screws on the end of the brackets.

Desktop Mounting Dimensions

The following figures show the desktop mounting dimensions for the 4-slot and 8-slot cRIO-904x models.

Figure 31. 4-slot cRIO-904x Desktop Mounting Dimensions

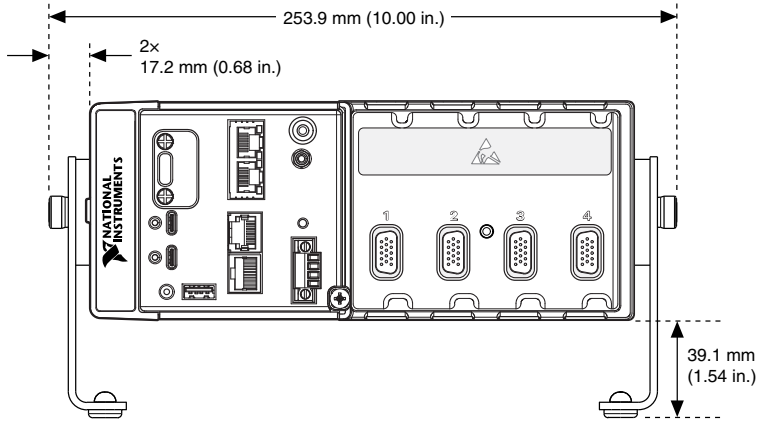


Figure 32. 8-slot cRIO-904x Desktop Mounting Dimensions

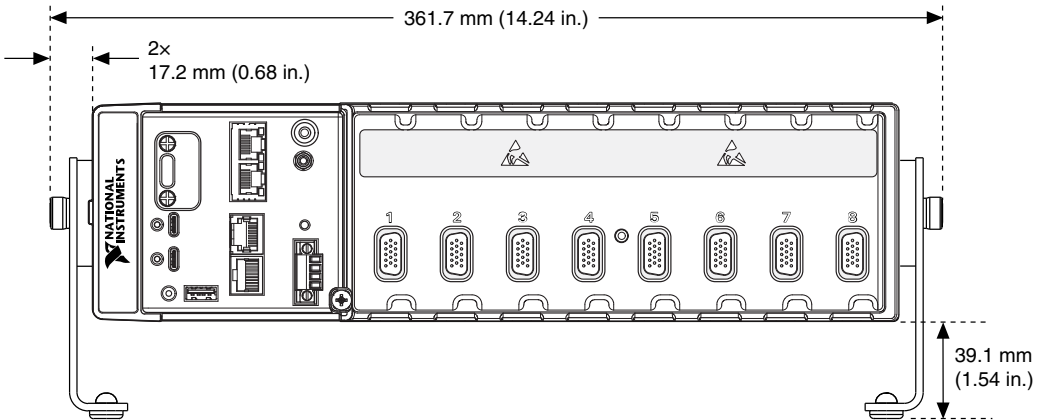
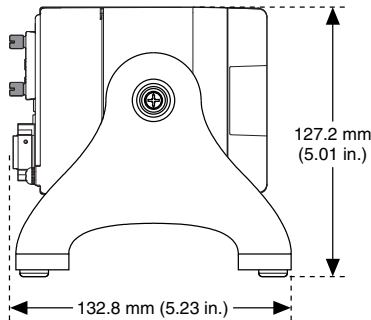


Figure 33. cRIO-904x Desktop Mounting Side Dimensions



BIOS Configuration

Resetting the System CMOS and BIOS Settings

The cRIO-904x BIOS configuration information is stored in a nonvolatile memory location that does not require a battery to preserve the settings. Additionally, the BIOS optimizes boot time by saving specific system information to memory backed up by a battery (CMOS).

Complete the following steps to reset the CMOS and reset the BIOS settings to factory default values.

1. Disconnect power from the cRIO-904x.
2. Press the CMOS reset button and hold it for 1 second.
3. Reconnect power to the cRIO-904x.

The BIOS `Reset Detected` warning message appears onscreen.



Note If the CMOS battery is dead, the CMOS reset button will not work.

Power-On Self Test Warning Messages

The cRIO-904x POST displays warning messages for specific issues onscreen. You can use MAX to enable Console Out to send these warning messages through the RS-232 serial port.

The POST can display the following warning messages:

- **BIOS Reset Detected**—This warning is displayed when the CMOS Reset button has been pushed. This warning indicates that the BIOS settings have the default values.
- **CMOS Battery Is Dead**—This warning is displayed when the CMOS battery is dead and must be replaced. The BIOS settings are preserved even when the CMOS battery is dead, but the system will boot very slowly because the BIOS cannot optimize boot time by saving specific system information to CMOS.

BIOS Setup Utility

Use the BIOS setup utility to change configuration settings and to enable special functions. The cRIO-904x ships with configuration settings that work for most applications, but you can use the BIOS setup utility to change configuration settings to meet the needs of your application.

Changing BIOS settings can cause incorrect behavior, including failure to boot. In general, do not change a setting unless you are sure what the setting does. Reset the BIOS settings to restoring the default configuration settings.

Launching the BIOS Setup Utility

Complete the following steps to launch the BIOS setup utility.

1. Connect a video monitor to the USB 3.1 Type-C DisplayPort connector on the cRIO-904x.



Note In order to connect the monitor to the USB 3.1 Type-C DisplayPort connector, you may need to use a VGA-to-Type-C or DVI-to-Type-C adapter.

2. Connect a USB keyboard to the USB 2.0 host port on the cRIO-904x.
3. Power on or reboot the cRIO-904x.
4. Hold down either the <F10> key or the key until `Please select boot device:` appears onscreen.
5. Use the Down Arrow key to select **Enter Setup** and press <Enter>. The setup utility loads after a short delay.

The Main setup menu is displayed when you first enter the BIOS setup utility.

BIOS Setup Utility Keyboard Navigation

Use the following keys to navigate through the BIOS setup utility:

Table 17. Navigation Keys

Key(s)	Function(s)
Left Arrow, Right Arrow	Move between the different setup menus. If you are in a submenu, these keys have no effect, and you must press <Esc> to leave the submenu first.
Up Arrow, Down Arrow	Move between the options within a setup menu.
<Enter>	Enter a submenu or display all available settings for a highlighted configuration option.
<Esc>	Return to the parent menu of a submenu. At the top-level menus, this key serves as a shortcut to the Exit menu.

Table 17. Navigation Keys (Continued)

Key(s)	Function(s)
<+>, <->	Cycle between all available settings for a selected configuration option.
<F8>	Load the previous values for all BIOS configuration settings.
<F9>	Load the optimal default values for all BIOS configuration settings. The optimal default values are the same as the shipping configuration default values.
<F10>	Save settings and exits the BIOS setup utility.

Main Setup Menu

The Main setup menu reports the following configuration information:

- BIOS Version— This value indicates the version of the controller BIOS.
- Build Date—This value indicates the date and time on which the BIOS was built.
- Embedded Firmware Version—This value identifies the built-in hardware capabilities.
- Access Level— This value indicates the level of access the current user has on the controller BIOS.
- Processor Type, Speed, and Active Processor Cores—These values indicate the type of processor used in the controller, the speed of the processor, and the number of active processor cores.
- Total Memory—This value indicates the size of system RAM detected by the BIOS.

The Main setup menu also includes the following settings:

- System Date—This setting controls the date, which is stored in a battery-backed real-time clock. Most operating systems also include a way to change this setting. Use <+> and <-> in conjunction with <Enter> and <Tab> to change these values.
- System Time—This setting controls the time of day, which is stored in a battery-backed real-time clock. Most operating systems also include a way to change this setting. Use <+> and <-> in conjunction with <Enter> and <Tab> to change these values.

Advanced Setup Menu

The Advanced setup menu contains BIOS settings that do not require modification for normal operation of the cRIO-904x. If you have specific problems, such as unbootable disks or resource conflicts, you may need to examine the settings in this menu.



Notice Changing settings in the Advanced setup menu may result in an unstable or unbootable controller. If this happens, restore BIOS settings to the factory defaults.

The Advanced setup menu includes the following submenus:

- *Power/Wake Configuration Submenu*
- *SATA Drives Submenu*

- [CPU Configuration Submenu](#)
- [USB Configuration Submenu](#)

Power/Wake Configuration Submenu

The Power/Wake configuration submenu contains the power and wake settings for the chipset and cRIO-904x. The factory default settings provide the most compatible and optimal configuration.

- Ring Indicator Wake—This setting enables or disables the ability to wake a powered-off system using the Ring Indicator pin of the RS-232 serial port. The default value is **Disabled**.
- Wake on Trigger— This setting enables or disables the ability to wake a powered-off system using a trigger programmed in software. The default value is **Disabled**.

SATA Drives Submenu

The SATA drives submenu contains the hard disk drive (HDD) interfaces settings. The factory default settings provide the most compatible and optimal configuration.

- Chipset SATA—This setting enables or disables the Chipset SATA controller. The default value is **Enabled**.
- Onboard Storage—This item displays the onboard drive detected in the system.

CPU Configuration Submenu

The CPU configuration submenu contains the CPU settings for the cRIO-904x. The factory default settings provide the most compatible and optimal configuration.

CPU Power Management

The CPU Power Management submenu contains CPU power management configuration options. The factory default settings provide the most compatible and optimal configuration.

- Burst Mode—This setting allows the processor to operate at frequencies higher than the base processor frequency. Valid options are **Enabled** and **Disabled**. The default value is **Disabled**. If enabled, the processor will run at the burst frequency if the maximum power and temperature specifications of the processor are not exceeded. If disabled, the processor will run at the base operating frequency. Enabling burst may increase application jitter. As a result, NI recommends disabling burst for real time applications.

USB Configuration Submenu

The USB configuration submenu contains the USB host ports settings. The factory default settings provide the most compatible and optimal configuration.

- Dual Role Type-C Port FW Ver— This item shows the firmware version for the dual role USB type-C port.
- Display Port Type-C FW Ver— This item shows the firmware version for the DisplayPort USB type-C port.
- USB Devices—This item lists the total number of devices detected in the system, categorized by device type.

- Legacy USB Support—This setting specifies whether legacy USB support is enabled. Legacy USB support refers to the ability to use a USB keyboard and mouse during system boot or in a legacy operating system such as DOS. Valid options are **Enabled**, **Disabled**, and **Auto**. The default value is **Disabled**.
- Overcurrent Reporting—This setting allows the BIOS to notify the operating system about any USB ports that source too much current. The default value is **Enabled**. Hardware overcurrent protection is always active and cannot be disabled.
- USB Transfer Timeout—This setting specifies the timeout value for Control, Bulk, and Interrupt USB transfers. The default value is **20** seconds.
- Device Reset Timeout—This setting specifies the number of seconds the POST waits for a USB mass storage device to start. The default value is **20** seconds.
- Device Power-Up Delay—This setting specifies the maximum time a device takes before enumerating. Valid options are **Auto** and **Manual**. The default value is **Auto**. When set to **Auto**, a root port is granted 100 ms, and the delay value of a hub port is assigned from the hub descriptor.

Boot Setup Menu

The Boot Setup menu contains setting related to the boot process and the boot device priority.

- *Boot Settings Configuration Submenu*—This item accesses the Boot Settings Configuration submenu.
- Boot Option Priorities—These settings specify the order in which the BIOS checks for bootable devices, including the local hard disk drive, removable devices such as USB flash disk drives or USB CD-ROM drives, or the PXE network boot agent. The BIOS first attempts to boot from the device associated with 1st Boot Device, followed by 2nd Boot Device and 3rd Boot Device. If multiple boot devices are not present, the BIOS setup utility does not display all of these configuration options. To select a boot device, press <Enter> on the desired configuration option and select a boot device from the resulting menu. You can also disable certain boot devices by selecting **Disabled**.



Note Only one device of a given type is shown in this list. If more than one device of the same type exists, use the appropriate device BBS priorities submenu to re-order the priority of devices of the same type.

Boot Settings Configuration Submenu

The Boot Settings Configuration submenu applies alternate configurations to boot settings. The factory default settings provide the most compatible and optimal configuration.

- Setup Prompt Timeout—This setting specifies the number of seconds the system waits for a BIOS Setup menu keypress (the <Delete> key). The default value is **10** seconds.
- Bootup NumLock State—This setting specifies the power-on state of the keyboard NumLock setting. The default value is **On**.

Save & Exit Menu



The Save & Exit setup menu contains all available options for exiting, saving, and loading the BIOS default configuration. As an alternative to this menu, press <F9> to load optimal BIOS default settings and <F10> to save changes and exit setup.


The Save & Exit setup menu includes the following settings:

- **Save Changes and Reset**—This setup utility then exits and reboots the cRIO-904x. Any changes made to BIOS settings are stored in NVRAM. The <F10> key also selects this option.
- **Discard Changes and Reset**—Any changes made to BIOS settings during this session of the BIOS setup utility are discarded. The setup utility then exits and reboots the controller. The <Esc> key can also be used to select this option.
- **Save Changes**—Changes made to BIOS settings during this session are committed to NVRAM. The setup utility remains active, allowing further changes.
- **Discard Changes**—Any changes made to BIOS settings during this session of the BIOS setup utility are discarded. The BIOS setup continues to be active.
- **Restore Defaults**—This option restores all BIOS settings to the factory default. This option is useful if the controller exhibits unpredictable behavior due to an incorrect or inappropriate BIOS setting. Notice that any nondefault settings such as boot order, passwords, and so on are also restored to their factory defaults. The <F9> key also selects this option.
- **Save As User Defaults**—This option saves a copy of the current BIOS settings as the User Defaults. This option is useful for preserving custom BIOS setup configurations.
- **Restore User Defaults**—This option restores all BIOS settings to the user defaults. This option is useful for restoring previously preserved custom BIOS setup configurations.
- **Boot Override**—This option lists all possible bootable devices and allows the user to override the Boot Option Priorities list for the current boot. If no changes have been made to the BIOS setup options, the system will continue booting to the selected device without first rebooting. If BIOS setup options have been changed and saved, a reboot will be required and the boot override selection will not be valid.

Choosing Your Programming Mode

The cRIO-904x supports three programming modes. The programming modes are set per slot on a chassis.

	<p>Real-Time</p>	<p>Enables you to use C Series modules directly from LabVIEW Real-Time, using NI DAQmx.</p> <p>C Series modules appear under the Real-Time Resources item in the MAX Project Explorer window and I/O channels appear as I/O variables under the modules. To use I/O variables, you drag and drop them from the Project Explorer window to LabVIEW Real-Time VIs.</p> <p>Use this mode to make the C Series module behave like it is in a CompactDAQ controller, using the Real-Time NI-DAQmx and NI-XNET drivers to communicate, and access the four counter/timers and the PFI trigger connector on the controller.</p>
	<p>Real-Time Scan (IO Variables)</p>	<p>Enables you to use C Series modules directly from LabVIEW Real-Time, using I/O variables.</p> <p>C Series modules that you use in Scan Interface mode appear under the Real-Time Scan Resources item in the MAX Project Explorer window and I/O channels appear as I/O variables under the modules. To use I/O variables, you drag and drop them from the Project Explorer window to LabVIEW Real-Time VIs.</p> <p>In this mode, you do not need to do any LabVIEW FPGA development. LabVIEW programs the FPGA for you with a fixed FPGA bitfile that communicates with all the C Series modules that RT Scan mode supports. LabVIEW also sends C Series data to the Real-Time host to be displayed in I/O variables. Real-Time Scan mode also enables you to dynamically detect which types of C Series modules are plugged into chassis slots.</p>

	LabVIEW FPGA	<p>Enables you to use C Series modules from LabVIEW FPGA VIs.</p> <p>C Series modules appear directly under the FPGA Target item in the MAX Project Explorer window and I/O channels appear as FPGA I/O items under the FPGA Target. To access the I/O channels, you either configure FPGA I/O Nodes in a LabVIEW FPGA VI or drag and drop the I/O channels from the Project Explorer window to a LabVIEW FPGA VI block diagram.</p> <p>Use this mode to add more flexibility, customization, timing, and synchronization to your applications. To use the CompactRIO system in FPGA mode, you must either have the LabVIEW FPGA Module installed on the host computer, or have access to a compiled bitfile that you can download to the FPGA. In either case, you use the Open FPGA VI Reference function in a LabVIEW Real-Time VI to access the FPGA VI or bitfile.</p>
--	---------------------	---

Use the following table to assist you in choosing a supported programming mode for your task.

Table 18. Supported Programming Modes for Popular Tasks

Task	Real-Time	Real-Time Scan (IO Variables)	LabVIEW FPGA
Control rates up to 1 kHz	■	■	
Control rates between 1 kHz and 5 kHz (application dependent)	■		■
Control rates over 5 kHz			■
High-speed waveform acquisition	■		■



Note Some C Series modules can only be used in certain programming modes. For module-specific software support information, visit ni.com/info and enter the Info Code `swwsupport`.

To learn more about using the cRIO-904x in Real-Time mode, refer to the following sections:

- [Analog Input with NI-DAQmx](#)
- [Analog Output with NI-DAQmx](#)
- [Digital Input/Output with NI-DAQmx](#)
- [PFI with NI-DAQmx](#)
- [Counters with NI-DAQmx](#)

Analog Input with NI-DAQmx

To perform analog input measurements, install a supported analog input C Series module into any slot on the cRIO controller and set the programming mode to Real-Time (NI-DAQmx) mode. The measurement specifications, such as number of channels, channel configuration, sample rate, and gain, are determined by the type of C Series module used. For more

information and wiring diagrams, refer to the documentation included with your C Series modules.

The cRIO controller has eight input timing engines, which means that up to eight hardware-timed analog input tasks can be running at a time on the controller. An analog input task can include channels from multiple analog input modules. However, channels from a single module cannot be used in multiple tasks.

Multiple timing engines allow the cRIO controller to run up to eight analog input tasks simultaneously, each using independent timing and triggering configurations. The eight timing engines are `it0`, `it1`, ... `it7`.

Analog Input Triggering Signal

A trigger is a signal that causes an action, such as starting or stopping the acquisition of data. When you configure a trigger, you must decide how you want to produce the trigger and the action you want the trigger to cause. The cRIO controller supports internal software triggering, external digital triggering, analog triggering, and internal time triggering.

Three triggers are available: Start Trigger, Reference Trigger, and Pause Trigger. An analog or digital signal can initiate these three trigger actions. C Series Parallel digital input modules and the controller's integrated PFI trigger line can be used in any controller slot to supply a digital trigger. To find your module triggering options, refer to the documentation included with your C Series modules. For more information about using digital modules for triggering, refer to the [Digital Input/Output with NI-DAQmx](#) section.

Refer to the [AI Start Trigger Signal](#), [AI Reference Trigger Signal](#), and [AI Pause Trigger Signal](#) sections for more information about the analog input trigger signals.

Hardware-Timed Single Point (HWTSP) Mode

In HWTSP mode, samples are acquired or generated continuously using hardware timing and no buffer. You must use the sample clock or change detection timing types. No other timing types are supported.

Use HWTSP mode if you need to know if a loop executes in a given amount of time, such as in a control application. Because there is no buffer, if you use HWTSP mode, ensure that reads or writes execute fast enough to keep up with hardware timing. If a read or write executes late, it returns a warning.



Note DSA modules do not support HWTSP mode.

Analog Input Timing Signals

The cRIO controller features the following analog input timing signals:

- [AI Sample Clock Signal](#)*
- [AI Sample Clock Timebase Signal](#)
- [AI Start Trigger Signal](#)*

- *AI Reference Trigger Signal**
- *AI Pause Trigger Signal**

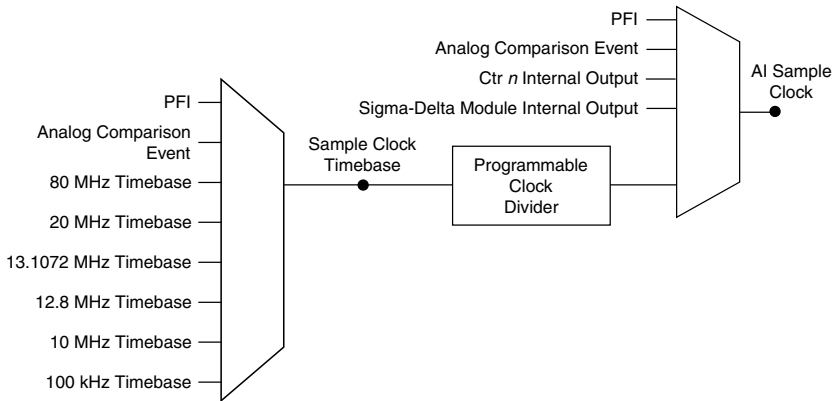
Signals with an * support digital filtering. Refer to the *PFI Filters* section for more information.

Refer to the *AI Convert Clock Signal Behavior For Analog Input Modules* section for more information about AI Convert Clock signals and the cRIO controller.

AI Sample Clock Signal

A sample consists of one reading from each channel in the AI task. Sample Clock signals the start of a sample of all analog input channels in the task. The sample clock can be generated from external or internal sources as shown in the figure below.

Figure 34. AI Sample Clock Timing Options



Routing the Sample Clock to an Output Terminal

You can route Sample Clock to any output PFI terminal. Sample Clock is an active high pulse by default.

AI Sample Clock Timebase Signal

The AI Sample Clock Timebase signal is divided down to provide a source for Sample Clock. AI Sample Clock Timebase can be generated from external or internal sources. AI Sample Clock Timebase is not available as an output from the controller.

AI Start Trigger Signal

Use the Start Trigger signal to begin a measurement acquisition which consists of one or more samples. Once the acquisition begins, configure the acquisition to stop in one of the following ways:

- When a certain number of points has been sampled (in finite mode)
- After a hardware reference trigger (in finite mode)
- With a software command (in continuous mode)

An acquisition that uses a start trigger (but not a reference trigger) is sometimes referred to as a posttriggered acquisition. That is, samples are measured only after the trigger.

When you are using an internal sample clock, you can specify a default delay from the start trigger to the first sample.

Using a Digital Source

To use the Start Trigger signal with a digital source, specify a source and a rising or falling edge. Use the following signals as the source:

- Any PFI terminal
- Counter n Internal Output

The source also can be one of several other internal signals on your cRIO controller. Refer to the "Device Routing in MAX" topic in the *NI-DAQmx Help* or the *LabVIEW Help* for more information.

Using an Analog Source

Some C Series modules can generate a trigger based on an analog signal. In NI-DAQmx, this is called the Analog Comparison Event. When you use an analog trigger source for Start Trigger, the acquisition begins on the first rising edge of the Analog Comparison Event signal.

Routing AI Start Trigger to an Output Terminal

You can route the Start Trigger signal to any output PFI terminal. The output is an active high pulse.

Using a Time Source

To use the Start Trigger signal with a time source, configure a specific time in NI-DAQmx. Refer to the "Timestamps" and "Time Triggering" topics in the *NI-DAQmx Help* for more information on accessing time-based features in the NI-DAQmx API.

AI Reference Trigger Signal

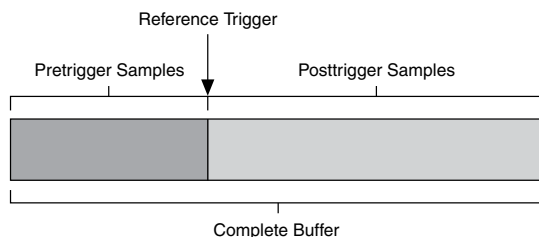
Use a reference trigger to stop a measurement acquisition. To use a reference trigger, specify a buffer of finite size and a number of pretrigger samples (samples that occur before the reference trigger). The number of posttrigger samples (samples that occur after the reference trigger) desired is the buffer size minus the number of pretrigger samples.

Once the acquisition begins, the cRIO controller writes samples to the buffer. After the cRIO controller captures the specified number of pretrigger samples, the cRIO controller begins to look for the reference trigger condition. If the reference trigger condition occurs before the cRIO controller captures the specified number of pretrigger samples, the controller ignores the condition.

If the buffer becomes full, the cRIO controller continuously discards the oldest samples in the buffer to make space for the next sample. This data can be accessed (with some limitations) before the cRIO controller discards it. Refer to the *Can a Pretriggered Acquisition be Continuous?* document for more information. To access this document, go to ni.com/info and enter the Info Code `rdcanq`.

When the reference trigger occurs, the cRIO controller continues to write samples to the buffer until the buffer contains the number of posttrigger samples desired. The figure below shows the final buffer.

Figure 35. Reference Trigger Final Buffer



Using a Digital Source

To use a reference trigger with a digital source, specify a source and a rising or falling edge. Either PFI or one of several internal signals on the cRIO controller can provide the source. Refer to the "Device Routing in MAX" topic in the *NI-DAQmx Help* or the *LabVIEW Help* for more information.

Using an Analog Source

Some C Series modules can generate a trigger based on an analog signal. In NI-DAQmx, this is called the Analog Comparison Event.

When you use an analog trigger source, the acquisition stops on the first rising or falling edge of the Analog Comparison Event signal, depending on the trigger properties.

Routing the Reference Trigger Signal to an Output Terminal

You can route a reference trigger to any output PFI terminal. Reference Trigger is active high by default.

AI Pause Trigger Signal

You can use the Pause Trigger to pause and resume a measurement acquisition. The internal sample clock pauses while the external trigger signal is active and resumes when the signal is inactive. You can program the active level of the pause trigger to be high or low.

Using a Digital Source

To use the Pause Trigger, specify a source and a polarity. The source can be either from PFI or one of several other internal signals on your cRIO controller. Refer to the "Device Routing in MAX" topic in the *NI-DAQmx Help* or the *LabVIEW Help* for more information.

Using an Analog Source

Some C Series modules can generate a trigger based on an analog signal. In NI-DAQmx, this is called the Analog Comparison Event.

When you use an analog trigger source, the internal sample clock pauses when the Analog Comparison Event signal is low and resumes when the signal goes high (or vice versa).



Note Pause triggers are only sensitive to the level of the source, not the edge.

AI Convert Clock Signal Behavior For Analog Input Modules

Refer to the Scanned Modules, Simultaneous Sample-and-Hold Modules, Delta-Sigma Modules, and Slow Sample Rate Modules sections for information about the AI Convert Clock signal and C Series analog input modules.

Scanned Modules

Scanned C Series analog input modules contain a single A/D converter and a multiplexer to select between multiple input channels. When the module interface receives a Sample Clock pulse, it begins generating a Convert Clock for each scanned module in the current task. Each Convert Clock signals the acquisition of a single channel from that module. The Convert Clock rate depends on the module being used, the number of channels used on that module, and the system Sample Clock rate.

The driver chooses the fastest conversion rate possible based on the speed of the A/D converter for each module and adds 10 μ s of padding between each channel to allow for adequate settling time. This scheme enables the channels to approximate simultaneous sampling. If the AI Sample Clock rate is too fast to allow for 10 μ s of padding, NI-DAQmx selects a conversion rate that spaces the AI Convert Clock pulses evenly throughout the sample. NI-DAQmx uses the same amount of padding for all the modules in the task. To explicitly specify the conversion rate, use the **ActiveDevs** and **AI Convert Clock Rate** properties using the **DAQmx Timing** property node or functions.

Simultaneous Sample-and-Hold Modules

Simultaneous sample-and-hold (SSH) C Series analog input modules contain multiple A/D converters or circuitry that allows all the input channels to be sampled at the same time. These modules sample their inputs on every Sample Clock pulse.

Delta-Sigma Modules

Delta-sigma C Series analog input modules function much like SSH modules, but use A/D converters that require a high-frequency oversample clock to produce accurate, synchronized data. Some delta-sigma modules in the cRIO controller automatically share a single oversample clock to synchronize data from all the modules that support an external oversample clock timebase when they all share the same task. (DSA modules are an example).

The oversample clock is used as the AI Sample Clock Timebase. The cRIO controller supplies 10 MHz, 12.8 MHz, and 13.1072 MHz timebases from which software automatically selects based on the modules in the task. When delta-sigma modules with different oversample clock frequencies are used in an analog input task, the AI Sample Clock Timebase can use any of the available frequencies; by default, the fastest available is used. The sample rate of all modules in the task is an integer divisor of the frequency of the AI Sample Clock Timebase.

When one or more delta-sigma modules are in an analog input task, the delta-sigma modules also provide the signal used as the AI Sample Clock. This signal is used to cause A/D conversion for other modules in the system, just as the AI Sample Clock does when a delta-sigma module is not being used.

When delta-sigma modules are in an AI task, the controller automatically issues a synchronization pulse to each delta-sigma module so that their ADCs are reset at the same time. Because of the filtering used in delta-sigma A/D converters, these modules usually exhibit a fixed input delay relative to non-delta-sigma modules in the system. This input delay is specified in the C Series module documentation.

When channels from delta-sigma C Series modules are included in a multi-chassis task, please ensure that the first channel in your channel list is from a delta-sigma module.



Note DSA modules do not support HWTSP mode.

Slow Sample Rate Modules

Some C Series analog input modules are specifically designed for measuring signals that vary slowly, such as temperature. Because of their slow rate, it is not appropriate for these modules to constrain the AI Sample Clock to operate at or slower than their maximum rate. When using such a module in the cRIO controller mixed with a non-slow sample module in the same task, exceeding the maximum sampling rate of the slow sample module results in the most recently acquired sample being read multiple times. In this scenario, the first sample of a hardware-timed acquisition with a slow sampled C Series module is sampled when the task is committed.

For more information about which C Series modules are compatible with the cRIO controller, go to ni.com/info and enter the Info Code `rdcdaq`.

Getting Started with AI Applications in Software

You can use the cRIO controller in the following analog input applications:

- Single-point acquisition
- Hardware-Timed Single Point acquisition
- Finite acquisition
- Continuous acquisition

For more information about programming analog input applications and triggers in software, refer to the *NI-DAQmx Help* or the *LabVIEW Help* for more information.

Analog Output with NI-DAQmx

To generate analog output, install an analog output C Series module in any slot on the cRIO controller. The generation specifications, such as the number of channels, channel configuration, update rate, and output range, are determined by the type of C Series module used. For more information, refer to the documentation included with your C Series module(s).

The cRIO controller has eight output timing engines, which means that up to eight hardware-timed analog output tasks can be running at a time on the controller. On a single analog output C Series module, you can assign any number of channels to either a hardware-timed task or a software-timed (single-point) task. However, you cannot assign some channels to a hardware-timed task and other channels (on the same module) to a software-timed task.

Multiple timing engines allow the cRIO controller to run up to eight analog output tasks simultaneously, each using independent timing and triggering configurations. The eight timing engines are `ot0`, `ot1`,... `ot7`.

Analog Output Data Generation Methods

When performing an analog output operation, you either can perform software-timed generations or hardware-timed generations.

Software-Timed Generations

With a software-timed generation, software controls the rate at which data is generated. Software sends a separate command to the hardware to initiate each DAC conversion. In NI-DAQmx, software-timed generations are referred to as on-demand timing. Software-timed generations are also referred to as immediate or static operations. They are typically used for writing out a single value, such as a constant DC voltage.

The following considerations apply to software-timed generations:

- If any AO channel on a module is used in a hardware-timed (waveform) task, no channels on that module can be used in a software-timed task
- You can configure software-timed generations to simultaneously update

- Only one simultaneous update task can run at a time
- A hardware-timed AO task and a simultaneous update AO task cannot run at the same time

Hardware-Timed Generations

With a hardware-timed generation, a digital hardware signal controls the rate of the generation. This signal can be generated internally on the controller or provided externally.

Hardware-timed generations have several advantages over software-timed acquisitions:

- The time between samples can be much shorter
- The timing between samples is deterministic
- Hardware-timed acquisitions can use hardware triggering

Hardware-Timed Single Point (HWTSP) Mode

In HWTSP mode, samples are acquired or generated continuously using hardware timing and no buffer. You must use the sample clock or change detection timing types. No other timing types are supported.

Use HWTSP mode if you need to know if a loop executes in a given amount of time, such as in a control application. Because there is no buffer, if you use HWTSP mode, ensure that reads or writes execute fast enough to keep up with hardware timing. If a read or write executes late, it returns a warning.



Note DSA modules do not support HWTSP mode.

Buffered Analog Input

A buffer is a temporary storage in computer memory for generated samples. In a buffered generation, data is moved from a host buffer to the cRIO controller onboard FIFO before it is written to the C Series modules.

One property of buffered I/O operations is sample mode. The sample mode can be either finite or continuous:

- *Finite*—Finite sample mode generation refers to the generation of a specific, predetermined number of data samples. After the specified number of samples is written out, the generation stops.
- *Continuous*—Continuous generation refers to the generation of an unspecified number of samples. Instead of generating a set number of data samples and stopping, a continuous generation continues until you stop the operation. There are three different continuous generation modes that control how the data is written. These modes are regeneration, onboard regeneration, and non-regeneration:
 - In regeneration mode, you define a buffer in host memory. The data from the buffer is continually downloaded to the FIFO to be written out. New data can be written to

the host buffer at any time without disrupting the output. There is no limitation on the number of waveform channels supported by regeneration mode.

- With onboard regeneration, the entire buffer is downloaded to the FIFO and regenerated from there. After the data is downloaded, new data cannot be written to the FIFO. To use onboard regeneration, the entire buffer must fit within the FIFO size. The advantage of using onboard regeneration is that it does not require communication with the main host memory once the operation is started, which prevents problems that may occur due to excessive bus traffic or operating system latency. There is a limit of 16 waveform channels for onboard regeneration.
- With non-regeneration, old data is not repeated. New data must continually be written to the buffer. If the program does not write new data to the buffer at a fast enough rate to keep up with the generation, the buffer underflows and causes an error. There is no limitation on the number of waveform channels supported by non-regeneration.

Analog Output Triggering Signals

A trigger is a signal that causes an action, such as starting or stopping the acquisition of data. When you configure a trigger, you must decide how you want to produce the trigger and the action you want the trigger to cause. The cRIO controller supports internal software triggering, external digital triggering, analog triggering, and internal time triggering.

Analog output supports two different triggering actions: AO Start Trigger and AO Pause Trigger. An analog or digital signal can initiate these actions. C Series parallel digital input modules and the controller's integrated PFI trigger line can be used in any controller slot to supply a digital trigger. An analog trigger can be supplied by some C Series analog modules.

Refer to the [AO Start Trigger Signal](#) and [AO Pause Trigger Signal](#) sections for more information about the analog output trigger signals.

Analog Output Timing Signals

The cRIO controller features the following AO (waveform generation) timing signals:

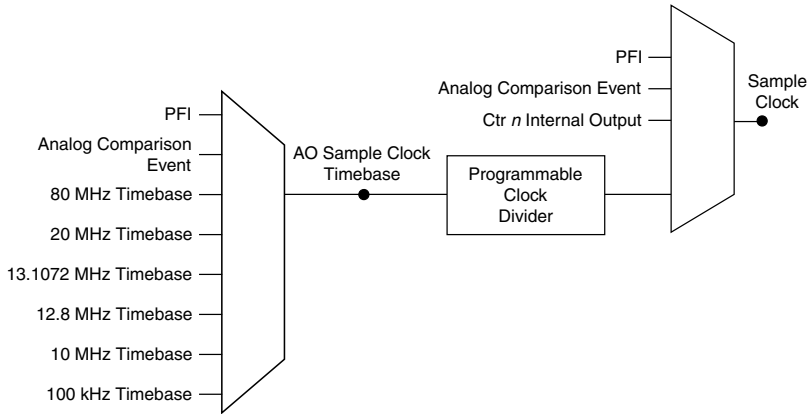
- [AO Sample Clock Signal](#)*
- [AO Sample Clock Timebase Signal](#)
- [AO Start Trigger Signal](#)*
- [AO Pause Trigger Signal](#)*

Signals with an * support digital filtering. Refer to the [PFI Filters](#) section for more information.

AO Sample Clock Signal

The AO sample clock signals when all the analog output channels in the task update. AO Sample Clock can be generated from external or internal sources as shown in the figure below.

Figure 36. Analog Output Timing Options



Routing AO Sample Clock to an Output Terminal

You can route AO Sample Clock to any output PFI terminal. AO Sample Clock is active high by default.

AO Sample Clock Timebase Signal

The AO Sample Clock Timebase signal is divided down to provide a source for AO Sample Clock. AO Sample Clock Timebase can be generated from external or internal sources, and is not available as an output from the controller.

Delta-Sigma Modules

The oversample clock is used as the AO Sample Clock Timebase. The cRIO controller supplies 10 MHz, 12.8 MHz, and 13.1072 MHz timebases. When delta-sigma modules with different oversample clock frequencies are used in an analog output task, the AO Sample Clock Timebase can use any of the available frequencies; by default, the fastest available is used. The update rate of all modules in the task is an integer divisor of the frequency of the AO Sample Clock Timebase.



Note DSA modules do not support HWTSP mode.

AO Start Trigger Signal

Use the AO Start Trigger signal to initiate a waveform generation. If you do not use triggers, you can begin a generation with a software command. If you are using an internal sample clock, you can specify a delay from the start trigger to the first sample. For more information, refer to the *NI-DAQmx Help*.

Using a Digital Source

To use AO Start Trigger, specify a source and a rising or falling edge. The source can be one of the following signals:

- A pulse initiated by host software
- Any PFI terminal
- AI Reference Trigger
- AI Start Trigger

The source also can be one of several internal signals on the cRIO controller. Refer to the "Device Routing in MAX" topic in the *NI-DAQmx Help* or the *LabVIEW Help* for more information.

You also can specify whether the waveform generation begins on the rising edge or falling edge of AO Start Trigger.

Routing AO Start Trigger Signal to an Output Terminal

You can route AO Start Trigger to any output PFI terminal. The output is an active high pulse.

Using a Time Source

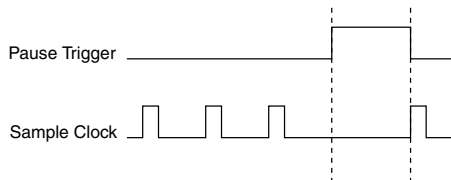
To use the Start Trigger signal with a time source, configure a specific time in NI-DAQmx. Refer to the "Timestamps" and "Time Triggering" topics in the *NI-DAQmx Help* for more information on accessing time-based features in the NI-DAQmx API.

AO Pause Trigger Signal

Use the AO Pause Trigger signal to mask off samples in a DAQ sequence. When AO Pause Trigger is active, no samples occur, but AO Pause Trigger does not stop a sample that is in progress. The pause does not take effect until the beginning of the next sample.

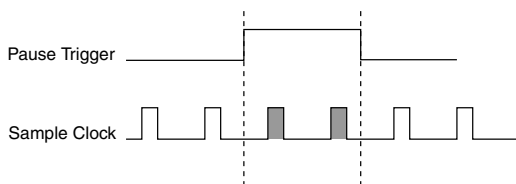
When you generate analog output signals, the generation pauses as soon as the pause trigger is asserted. If the source of the sample clock is the onboard clock, the generation resumes as soon as the pause trigger is deasserted, as shown in the following figure.

Figure 37. AO Pause Trigger with the Onboard Clock Source



If you are using any signal other than the onboard clock as the source of the sample clock, the generation resumes as soon as the pause trigger is deasserted and another edge of the sample clock is received, as shown in the following figure.

Figure 38. AO Pause Trigger with Other Signal Source



Using a Digital Source

To use AO Pause Trigger, specify a source and a polarity. The source can be a PFI signal or one of several other internal signals on the cRIO controller.

You also can specify whether the samples are paused when AO Pause Trigger is at a logic high or low level. Refer to the "Device Routing in MAX" topic in the *NI-DAQmx Help* or the *LabVIEW Help* for more information.

Minimizing Glitches on the Output Signal

When you use a DAC to generate a waveform, you may observe glitches on the output signal. These glitches are normal; when a DAC switches from one voltage to another, it produces glitches due to released charges. The largest glitches occur when the most significant bit of the DAC code changes. You can build a lowpass deglitching filter to remove some of these glitches, depending on the frequency and nature of the output signal. Go to ni.com/support for more information about minimizing glitches.

Getting Started with AO Applications in Software

You can use the cRIO controller in the following analog output applications:

- Single-point (on-demand) generation
- Hardware-Timed Single Point generation
- Finite generation
- Continuous generation
- Waveform generation

For more information about programming analog output applications and triggers in software, refer to *NI-DAQmx Help* or to the *LabVIEW Help*.

Digital Input/Output with NI-DAQmx

To use digital I/O, install a digital C Series module into any slot on the cRIO controller. The I/O specifications, such as number of lines, logic levels, update rate, and line direction, are determined by the type of C Series module used. For more information, refer to the documentation included with your C Series module(s).

Serial DIO versus Parallel DIO Modules

Serial digital modules have more than eight lines of digital input/output. They can be used in any controller slot and can perform the following tasks:

- Software-timed and hardware-timed digital input/output tasks

Parallel digital modules can be used in any controller slot and can perform the following tasks:

- Software-timed and hardware-timed digital input/output tasks
- Counter/timer tasks (can be used in up to two slots)
- Accessing PFI signal tasks (can be used in up to two slots)
- Filter digital input signals

Software-timed and hardware-timed digital input/output tasks have the following restrictions:

- You cannot use parallel and serial modules together on the same hardware-timed task.
- You cannot use serial modules for triggering.
- You cannot do both static and timed tasks at the same time on a single serial module.
- You can only do hardware timing in one direction at a time on a serial bidirectional module.

To determine the capability of digital modules supported by the controller, refer to the *Software Support for CompactRIO, CompactDAQ, Single-Board RIO, R Series, and EtherCAT* document by going to ni.com/info and entering the Info Code `rdcdaq`.

Static DIO

Each of the DIO lines can be used as a static DI or DO line. You can use static DIO lines to monitor or control digital signals on some C Series modules. Each DIO line can be individually configured as a digital input (DI) or digital output (DO), if the C Series module being used allows such configuration.

All samples of static DI lines and updates of static DO lines are software-timed.

Digital Input

You can acquire digital waveforms using either parallel or serial digital modules. The DI waveform acquisition FIFO stores the digital samples. The cRIO controller samples the DIO lines on each rising or falling edge of the DI Sample Clock signal.

Multiple input timing engines allow the cRIO controller to run up to eight hardware-timed digital input tasks simultaneously, each using independent timing and triggering configurations. The eight input timing engines are `it0`, `it1`, ... `it7`. All eight of the input timing engines are shared between analog input and digital input tasks, allowing up to 8 hardware-timed input tasks.

Hardware-Timed Single Point (HWTSP) Mode

In HWTSP mode, samples are acquired or generated continuously using hardware timing and no buffer. You must use the sample clock or change detection timing types. No other timing types are supported.

Use HWTSP mode if you need to know if a loop executes in a given amount of time, such as in a control application. Because there is no buffer, if you use HWTSP mode, ensure that reads or writes execute fast enough to keep up with hardware timing. If a read or write executes late, it returns a warning.



Note DSA modules do not support HWTSP mode.

Digital Input Triggering Signals

A trigger is a signal that causes an action, such as starting or stopping the acquisition of data. When you configure a trigger, you must decide how you want to produce the trigger and the action you want the trigger to cause. The cRIO controller supports internal software triggering, external digital triggering, analog triggering, and internal time triggering.

Three triggers are available: Start Trigger, Reference Trigger, and Pause Trigger. An analog or digital trigger can initiate these three trigger actions. C Series parallel digital input modules and the controller's integrated PFI trigger line can be used in any controller slot to supply a digital trigger. To find your module triggering options, refer to the documentation included with your C Series modules. For more information about using analog modules for triggering, refer to the [Analog Input Triggering Signal](#) and [Analog Output Triggering Signals](#) sections.

Refer to the [DI Start Trigger Signal](#), [DI Reference Trigger Signal](#), and [DI Pause Trigger Signal](#) sections in [Digital Input Timing Signals](#) for more information about the digital input trigger signals.

Digital Input Timing Signals

The cRIO controller features the following digital input timing signals:

- DI Sample Clock Signal*
- DI Sample Clock Timebase Signal
- DI Start Trigger Signal*
- DI Reference Trigger Signal*
- DI Pause Trigger Signal*

Signals with an * support digital filtering. Refer to the [PFI Filters](#) section for more information.

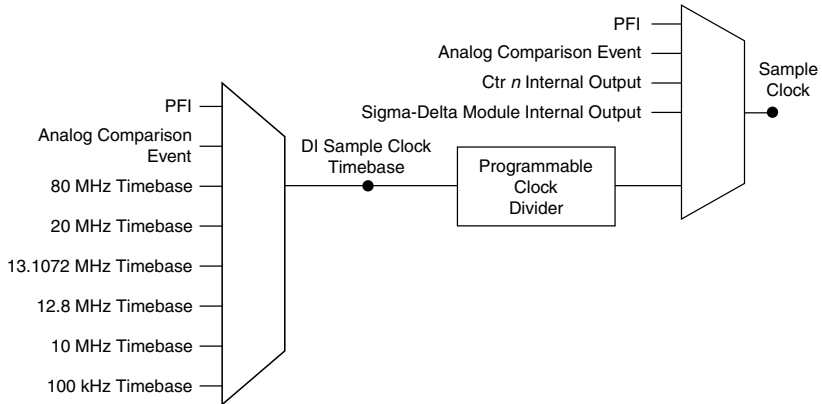
DI Sample Clock Signal

Use the DI Sample Clock signal to sample digital I/O on any slot using parallel digital modules, and store the result in the DI waveform acquisition FIFO. If the cRIO controller

receives a DI Sample Clock signal when the FIFO is full, it reports an overflow error to the host software.

A sample consists of one reading from each channel in the DI task. DI Sample Clock signals the start of a sample of all digital input channels in the task. DI Sample Clock can be generated from external or internal sources as shown in the following figure.

Figure 39. DI Sample Clock Timing Options



Routing DI Sample Clock to an Output Terminal

You can route DI Sample Clock to any output PFI terminal.

DI Sample Clock Timebase Signal

The DI Sample Clock Timebase signal is divided down to provide a source for DI Sample Clock. DI Sample Clock Timebase can be generated from external or internal sources. DI Sample Clock Timebase is not available as an output from the controller.

Using an Internal Source

To use DI Sample Clock with an internal source, specify the signal source and the polarity of the signal. Use the following signals as the source:

- it Sample Clock
- ot Sample Clock
- Counter n Internal Output
- Frequency Output
- DI Change Detection Output

Several other internal signals can be routed to DI Sample Clock. Refer to the "Device Routing in MAX" topic in the *NI-DAQmx Help* or the *LabVIEW Help* for more information.

Using an External Source

You can route the following signals as DI Sample Clock:

- Any PFI terminal
- Analog Comparison Event (an analog trigger)

You can sample data on the rising or falling edge of DI Sample Clock.

Routing DI Sample Clock to an Output Terminal

You can route DI Sample Clock to any output PFI terminal. The PFI circuitry inverts the polarity of DI Sample Clock before driving the PFI terminal.

DI Start Trigger Signal

Use the DI Start Trigger signal to begin a measurement acquisition. A measurement acquisition consists of one or more samples. If you do not use triggers, begin a measurement with a software command. Once the acquisition begins, configure the acquisition to stop in one of the following ways:

- When a certain number of points has been sampled (in finite mode)
- After a hardware reference trigger (in finite mode)
- With a software command (in continuous mode)

An acquisition that uses a start trigger (but not a reference trigger) is sometimes referred to as a posttriggered acquisition. That is, samples are measured only after the trigger.

When you are using an internal sample clock, you can specify a delay from the start trigger to the first sample.

Using a Time Source

To use the Start Trigger signal with a time source, configure a specific time in NI-DAQmx. Refer to the "Timestamps" and "Time Triggering" topics in the *NI-DAQmx Help* for more information on accessing time-based features in the NI-DAQmx API.

Using a Digital Source

To use DI Start Trigger with a digital source, specify a source and a rising or falling edge. Use the following signals as the source:

- Any PFI terminal
- Counter n Internal Output

The source also can be one of several other internal signals on the cRIO controller. Refer to the "Device Routing in MAX" topic in the *NI-DAQmx Help* or the *LabVIEW Help* for more information.

Routing DI Start Trigger to an Output Terminal

You can route DI Start Trigger to any output PFI terminal. The output is an active high pulse.

DI Reference Trigger Signal

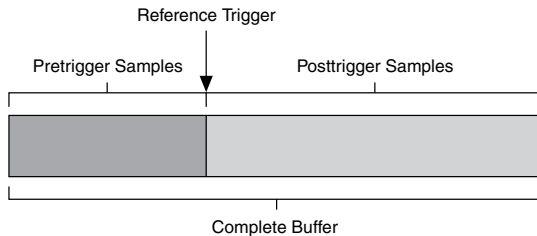
Use a reference trigger signal to stop a measurement acquisition. To use a reference trigger, specify a buffer of finite size and a number of pretrigger samples (samples that occur before the reference trigger). The number of posttrigger samples (samples that occur after the reference trigger) desired is the buffer size minus the number of pretrigger samples.

Once the acquisition begins, the cRIO controller writes samples to the buffer. After the cRIO controller captures the specified number of pretrigger samples, the controller begins to look for the reference trigger condition. If the reference trigger condition occurs before the cRIO controller captures the specified number of pretrigger samples, the controller ignores the condition.

If the buffer becomes full, the cRIO controller continuously discards the oldest samples in the buffer to make space for the next sample. This data can be accessed (with some limitations) before the cRIO controller discards it. Refer to the *Can a Pretriggered Acquisition be Continuous?* document for more information. To access this document, go to ni.com/info and enter the Info Code `rdcanq`.

When the reference trigger occurs, the cRIO controller continues to write samples to the buffer until the buffer contains the number of posttrigger samples desired. The figure below shows the final buffer.

Figure 40. Reference Trigger Final Buffer



Using a Digital Source

To use DI Reference Trigger with a digital source, specify a source and a rising or falling edge. Either PFI or one of several internal signals on the cRIO controller can provide the source. Refer to the "Device Routing in MAX" topic in the *NI-DAQmx Help* or the *LabVIEW Help* for more information.

Routing DI Reference Trigger Signal to an Output Terminal

You can route DI Reference Trigger to any output PFI terminal. Reference Trigger is active high by default.

DI Pause Trigger Signal

You can use the DI Pause Trigger signal to pause and resume a measurement acquisition. The internal sample clock pauses while the external trigger signal is active and resumes when the signal is inactive. You can program the active level of the pause trigger to be high or low.

Using a Digital Source

To use DI Pause Trigger, specify a source and a polarity. The source can be either from PFI or one of several other internal signals on your cRIO controller. Refer to the "Device Routing in MAX" topic in the *NI-DAQmx Help* or the *LabVIEW Help* for more information.

Digital Input Filters

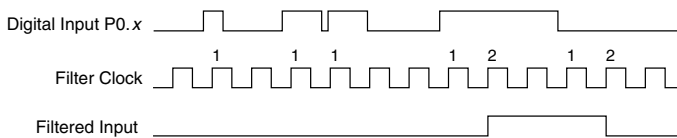
When performing a hardware timed task, you can enable a programmable debouncing filter on the digital input lines of a parallel DIO module. All lines on a module must share the same filter configuration. When the filter is enabled, the controller samples the inputs with a user-configured Filter Clock derived from the controller timebase. This is used to determine whether a pulse is propagated to the rest of the system. However, the filter also introduces jitter onto the input signal.

In NI-DAQmx, the filter is programmed by setting the minimum pulse width, T_p^2 , that will pass the filter, and is selectable in 25 ns increments. The appropriate Filter Clock is selected by the driver. Pulses of length less than $1/2 T_p$ will be rejected, and the filtering behavior of lengths between $1/2 T_p$ and $1 T_p$ are not defined because they depend on the phase of the Filter Clock relative to the input signal.

The figure below shows an example of low-to-high transitions of the input signal. High-to-low transitions work similarly.

Assume that an input terminal has been low for a long time. The input terminal then changes from low to high, but glitches several times. When the filter clock has sampled the signal high on consecutive rising edges, the low-to-high transition is propagated to the rest of the circuit.

Figure 41. Filter Example



Getting Started with DI Applications in Software

You can use the cRIO controller in the following digital input applications:

- Single-point acquisition
- Hardware-Timed Single Point acquisition

² T_p is a nominal value; the accuracy of the controller timebase and I/O distortion will affect this value.

- Finite acquisition
- Continuous acquisition

For more information about programming digital input applications and triggers in software, refer to the *NI-DAQmx Help* or the *LabVIEW Help* for more information.

Change Detection Event

The Change Detection Event is the signal generated when a change on the rising or falling edge lines is detected by the change detection task.

Routing Change Detection Event to an Output Terminal

You can route `ChangeDetectionEvent` to any output PFI terminal.

Change Detection Acquisition

You can configure lines on parallel digital modules to detect rising or falling edges. When one or more of these lines sees the edge specified for that line, the cRIO controller samples all the lines in the task. The rising and falling edge lines do not necessarily have to be in the task.

Change detection acquisitions can only be buffered:

- *Buffered Change Detection Acquisition*—A buffer is a temporary storage in computer memory for acquired samples. In a buffered acquisition, data is stored in the cRIO controller onboard FIFO then transferred to a PC buffer. Buffered acquisitions typically allow for much faster transfer rates than nonbuffered acquisitions because data accumulates and is transferred in blocks, rather than one sample at a time.

Digital Output

To generate digital output, install a digital output C Series module in any slot on the cRIO controller. The generation specifications, such as the number of channels, channel configuration, update rate, and output range, are determined by the type of C Series module used. For more information, refer to the documentation included with your C Series module(s).

With parallel digital output modules (formerly known as hardware-timed modules), you can do multiple software-timed tasks on a single module, as well as mix hardware-timed and software-timed digital output tasks on a single module. On serial digital output modules (formerly known as static digital output modules), you cannot mix hardware-timed and software-timed tasks, but you can run multiple software-timed tasks.

You may have a hardware-timed task or a software-timed task include channels from multiple modules, but a hardware-timed task may not include a mix of channels from both parallel and serial modules. Multiple timing engines allow the cRIO controller to run up to eight hardware-timed digital output tasks simultaneously, each using independent timing and triggering configurations. The eight output timing engines are `ot0`, `ot1`, ..., `ot7`. All eight of the output timing engines are shared between analog output and digital output tasks, allowing up to 8 hardware-timed output tasks.

Digital Output Data Generation Methods

When performing a digital output operation, you either can perform software-timed generations or hardware-timed generations.

Software-Timed Generations

With a software-timed generation, software controls the rate at which data is generated. Software sends a separate command to the hardware to initiate each digital generation. In NI-DAQmx, software-timed generations are referred to as on-demand timing. Software-timed generations are also referred to as immediate or static operations. They are typically used for writing out a single value.

For software-timed generations, if any DO channel on a serial digital module is used in a hardware-timed task, no channels on that module can be used in a software-timed task.

Hardware-Timed Generations

With a hardware-timed generation, a digital hardware signal controls the rate of the generation. This signal can be generated internally on the controller or provided externally.

Hardware-timed generations have several advantages over software-timed acquisitions:

- The time between samples can be much shorter.
- The timing between samples is deterministic.
- Hardware-timed acquisitions can use hardware triggering.

Hardware-Timed Single Point (HWTSP) Mode

In HWTSP mode, samples are acquired or generated continuously using hardware timing and no buffer. You must use the sample clock or change detection timing types. No other timing types are supported.

Use HWTSP mode if you need to know if a loop executes in a given amount of time, such as in a control application. Because there is no buffer, if you use HWTSP mode, ensure that reads or writes execute fast enough to keep up with hardware timing. If a read or write executes late, it returns a warning.

Buffered Digital Output

A buffer is a temporary storage in computer memory for generated samples. In a buffered generation, data is moved from a host buffer to the cRIO controller onboard FIFO before it is written to the C Series module(s).

One property of buffered I/O operations is sample mode. The sample mode can be either finite or continuous:

- *Finite*—Finite sample mode generation refers to the generation of a specific, predetermined number of data samples. After the specified number of samples is written out, the generation stops.
- *Continuous*—Continuous generation refers to the generation of an unspecified number of samples. Instead of generating a set number of data samples and stopping, a continuous

generation continues until you stop the operation. There are three different continuous generation modes that control how the data is written. These modes are regeneration, onboard regeneration, and non-regeneration:

- In regeneration mode, you define a buffer in host memory. The data from the buffer is continually downloaded to the FIFO to be written out. New data can be written to the host buffer at any time without disrupting the output.
- With onboard regeneration, the entire buffer is downloaded to the FIFO and regenerated from there. After the data is downloaded, new data cannot be written to the FIFO. To use onboard regeneration, the entire buffer must fit within the FIFO size. The advantage of using onboard regeneration is that it does not require communication with the main host memory once the operation is started, which prevents problems that may occur due to excessive bus traffic or operating system latency.



Note Install parallel DO modules in slots 1 through 4 to maximize accessible FIFO size because using a module in slots 5 through 8 will reduce the accessible FIFO size.

- With non-regeneration, old data is not repeated. New data must continually be written to the buffer. If the program does not write new data to the buffer at a fast enough rate to keep up with the generation, the buffer underflows and causes an error.

Digital Output Triggering Signals

A trigger is a signal that causes an action, such as starting or stopping the acquisition of data. When you configure a trigger, you must decide how you want to produce the trigger and the action you want the trigger to cause. The cRIO controller supports internal software triggering, external digital triggering, analog triggering, and internal time triggering.

Digital output supports two different triggering actions: DO Start Trigger and DO Pause Trigger. A digital or analog trigger can initiate these actions. Any PFI terminal can supply a digital trigger, and some C Series analog modules can supply an analog trigger. For more information, refer to the documentation included with your C Series module(s).

Refer to the *DO Start Trigger Signal* and *DO Pause Trigger Signal* sections in *Digital Output Timing Signals* for more information about the digital output trigger signals.

Digital Output Timing Signals

The cRIO controller features the following DO timing signals:

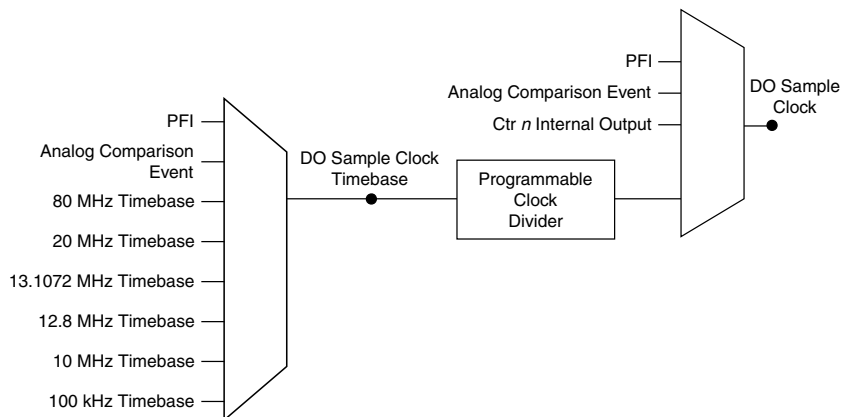
- DO Sample Clock Signal*
- DO Sample Clock Timebase Signal
- DO Start Trigger Signal*
- DO Pause Trigger Signal*

Signals with an * support digital filtering. Refer to the *PFI Filters* section for more information.

DO Sample Clock Signal

The DO Sample Clock signals when all the digital output channels in the task update. DO Sample Clock can be generated from external or internal sources as shown in the image below.

Figure 42. Digital Output Timing Options



Routing DO Sample Clock to an Output Terminal

You can route DO Sample Clock to any output PFI terminal. DO Sample Clock is active high by default.

DO Sample Clock Timebase Signal

The DO Sample Clock Timebase signal is divided down to provide a source for DO Sample Clock. DO Sample Clock Timebase can be generated from external or internal sources and is not available as an output from the controller.

DO Start Trigger Signal

Use the DO Start Trigger signal to initiate a waveform generation. If you do not use triggers, you can begin a generation with a software command. If you are using an internal sample clock, you can specify a delay from the start trigger to the first sample. For more information, refer to the *NI-DAQmx Help*.

Using a Time Source

To use the Start Trigger signal with a time source, configure a specific time in NI-DAQmx. Refer to the "Timestamps" and "Time Triggering" topics in the *NI-DAQmx Help* for more information on accessing time-based features in the NI-DAQmx API.

Using a Digital Source

To use DO Start Trigger, specify a source and a rising or falling edge. The source can be one of the following signals:

- A pulse initiated by host software
- Any PFI terminal
- AI Reference Trigger
- AI Start Trigger

The source also can be one of several internal signals on the cRIO controller. Refer to the "Device Routing in MAX" topic in the *NI-DAQmx Help* or the *LabVIEW Help* for more information.

You also can specify whether the waveform generation begins on the rising edge or falling edge of DO Start Trigger.

Routing DO Start Trigger Signal to an Output Terminal

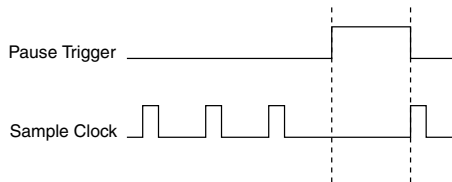
You can route DO Start Trigger to any output PFI terminal. The output is an active high pulse.

DO Pause Trigger Signal

Use the DO Pause Trigger signal to mask off samples in a DAQ sequence. When DO Pause Trigger is active, no samples occur, but DO Pause Trigger does not stop a sample that is in progress. The pause does not take effect until the beginning of the next sample.

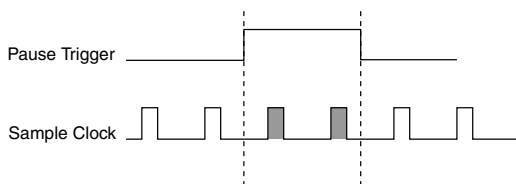
When you generate digital output signals, the generation pauses as soon as the pause trigger is asserted. If the source of the sample clock is the onboard clock, the generation resumes as soon as the pause trigger is deasserted, as shown in the figure below.

Figure 43. DO Pause Trigger with the Onboard Clock Source



If you are using any signal other than the onboard clock as the source of the sample clock, the generation resumes as soon as the pause trigger is deasserted and another edge of the sample clock is received, as shown in the figure below.

Figure 44. DO Pause Trigger with Other Signal Source



Using a Digital Source

To use DO Pause Trigger, specify a source and a polarity. The source can be a PFI signal or one of several other internal signals on the cRIO controller.

You also can specify whether the samples are paused when DO Pause Trigger is at a logic high or low level. Refer to the "Device Routing in MAX" topic in the *NI-DAQmx Help* or the *LabVIEW Help* for more information.

Getting Started with DO Applications in Software

You can use the cRIO controller in the following digital output applications:

- Single-point (on-demand) generation
- Hardware-Timed Single Point generation
- Finite generation
- Continuous generation

For more information about programming digital output applications and triggers in software, refer to the *NI-DAQmx Help* or to the *LabVIEW Help*.

Digital Input/Output Configuration for NI 9401

When you change the configuration of lines on a NI 9401 digital module between input and output, NI-DAQmx temporarily reserves all of the lines on the module for communication to send the module a line configuration command. For this reason, you must reserve the task in advance through the DAQmx Control Task before any task has started. If another task or route is actively using the module, to avoid interfering with the other task, NI-DAQmx generates an error instead of sending the line configuration command. During the line configuration command, the output lines are maintained without glitching.

PFI with NI-DAQmx

You can configure channels of a parallel digital module as Programmable Function Interface (PFI) terminals. The cRIO controller also provides one terminal for PFI. Up to two digital modules can be used to access PFI terminals in a single controller

You can configure each PFI individually as the following:

- Timing input signal for AI, AO, DI, DO, or counter/timer functions
- Timing output signal from AI, AO, DI, DO, or counter/timer functions

PFI Filters

You can enable a programmable debouncing filter on each PFI signal. When the filter is enabled, the controller samples the inputs with a user-configured Filter Clock derived from the controller timebase. This is used to determine whether a pulse is propagated to the rest of the circuit.

However, the filter also introduces jitter onto the PFI signal.

The following is an example of low-to-high transitions of the input signal. High-to-low transitions work similarly.

Assume that an input terminal has been low for a long time. The input terminal then changes from low to high, but glitches several times. When the Filter Clock has sampled the signal high on N consecutive edges, the low-to-high transition is propagated to the rest of the circuit. The value of N depends on the filter setting, as shown in the following table.

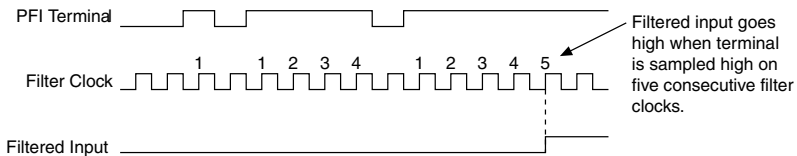
Table 19. Selectable PFI Filter Settings

Filter Setting	Filter Clock	Jitter	Min Pulse Width* to Pass	Max Pulse Width* to Not Pass
112.5 ns (short)	80 MHz	12.5 ns	112.5 ns	100 ns
6.4 µs (medium)	80 MHz	12.5 ns	6.4 µs	6.3875 µs
2.56 ms (high)	100 kHz	10 µs	2.56 ms	2.55 ms
Custom	User-configurable	1 Filter Clock period	T_{user}	$T_{user} - (1 \text{ Filter Clock period})$

* Pulse widths are nominal values; the accuracy of the controller timebase and I/O distortion will affect these values.

On power up, the filters are disabled. The figure below shows an example of a low-to-high transition on an input that has a custom filter set to N = 5.

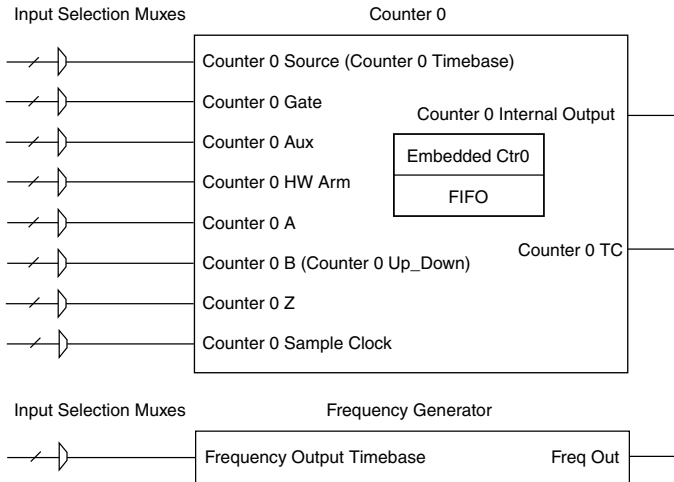
Figure 45. PFI Filter Example



Counters with NI-DAQmx

The cRIO controller has four general-purpose 32-bit counter/timers and one frequency generator. The general-purpose counter/timers can be used for many measurement and pulse generation applications. The figure below shows the cRIO controller Counter 0 and the frequency generator. All four counters on the cRIO controller are identical.

Figure 46. Controller Counter 0 and Frequency Generator



Counters have eight input signals, although in most applications only a few inputs are used.

For information about connecting counter signals, refer to the [Default Counter/Timer Routing](#) section.

Each counter has a FIFO that can be used for buffered acquisition and generation. Each counter also contains an embedded counter (Embedded Ctrn) for use in what are traditionally two-counter measurements and generations. The embedded counters cannot be programmed independent of the main counter; signals from the embedded counters are not routable.

Counter Timing Engine

Unlike analog input, analog output, digital input, and digital output, the cRIO controller counters do not have the ability to divide down a timebase to produce an internal counter sample clock. For sample clocked operations, an external signal must be provided to supply a clock source. The source can be any of the following signals:

- AI Sample Clock
- AI Start Trigger
- AI Reference Trigger
- AO Sample Clock

- DI Sample Clock
- DI Start Trigger
- DO Sample Clock
- CTR n Internal Output
- Freq Out
- PFI
- Change Detection Event
- Analog Comparison Event

Not all timed counter operations require a sample clock. For example, a simple buffered pulse width measurement latches in data on each edge of a pulse. For this measurement, the measured signal determines when data is latched in. These operations are referred to as implicit timed operations. However, many of the same measurements can be clocked at an interval with a sample clock. These are referred to as sample clocked operations. The following table shows the different options for the different measurements.

Table 20. Counter Timing Measurements

Measurement	Implicit Timing Support	Sample Clocked Timing Support
Buffered Edge Count	No	Yes
Buffered Pulse Width	Yes	Yes
Buffered Pulse	Yes	Yes
Buffered Semi-Period	Yes	No
Buffered Frequency	Yes	Yes
Buffered Period	Yes	Yes
Buffered Position	No	Yes
Buffered Two-Signal Edge Separation	Yes	Yes

Counter Triggering

Counters support three different triggering actions:

- *Arm Start Trigger*—To begin any counter input or output function, you must first enable, or arm, the counter. Software can arm a counter or configure counters to be armed on a hardware signal. Software calls this hardware signal the Arm Start Trigger. Internally, software routes the Arm Start Trigger to the Counter n HW Arm input of the counter.

For counter output operations, you can use it in addition to the start and pause triggers. For counter input operations, you can use the arm start trigger to have start trigger-like

behavior. The arm start trigger can be used for synchronizing multiple counter input and output tasks.

When using an arm start trigger, the arm start trigger source is routed to the Counter n HW Arm signal.

- *Start Trigger*—You can use the start trigger for counter output functions. You can configure a start trigger to begin a finite or continuous pulse generation. After a continuous generation has triggered, the pulses continue to generate until you stop the operation in software. For finite generations, the specified number of pulses is generated and the generation stops unless you use the retriggerable attribute. When you use this attribute, subsequent start triggers cause the generation to restart.

When using a start trigger, the start trigger source is routed to the Counter n Gate signal input of the counter. Possible triggers for counter output operations are a hardware signal.

For counter input functions, you can use the arm start trigger to have start trigger-like behavior.

- *Pause Trigger*—You can use pause triggers in edge counting and continuous pulse generation applications. For edge counting acquisitions, the counter stops counting edges while the external trigger signal is low and resumes when the signal goes high or vice versa.

For continuous pulse generations, the counter stops generating pulses while the external trigger signal is low and resumes when the signal goes high or vice versa.

When using a pause trigger, the pause trigger source is routed to the Counter n Gate signal input of the counter.

Default Counter/Timer Routing

Counter/timer signals are available to parallel digital I/O C Series modules. To determine the signal routing options for modules installed in your system, refer to the **Device Routes** tab in MAX.

You can use these defaults or select other sources and destinations for the counter/timer signals in NI-DAQmx. Refer to "Connecting Counter Signals" in the *NI-DAQmx Help* or the *LabVIEW Help* for more information about how to connect your signals for common counter measurements and generations. Refer to "Physical Channels" in the *NI-DAQmx Help* or the *LabVIEW Help* for a list of default PFI lines for counter functions.

Other Counter Features

The following sections list the other counter features available on the cRIO controller.

- [Cascading Counters](#)
- [Prescaling](#)
- [Synchronization Modes](#)

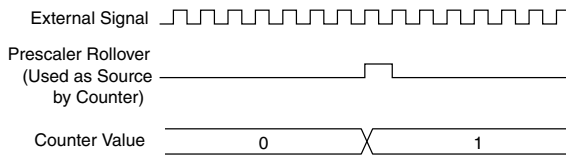
Cascading Counters

You can internally route the Counter n Internal Output and Counter n TC signals of each counter to the Gate inputs of the other counter. By cascading two counters together, you can effectively create a 64-bit counter. By cascading counters, you also can enable other applications. For example, to improve the accuracy of frequency measurements, use reciprocal frequency measurement, as described in the [Large Range of Frequencies with Two Counters](#) section.

Prescaling

Prescaling allows the counter to count a signal that is faster than the maximum timebase of the counter. The cRIO controller offers 8X and 2X prescaling on each counter. Prescaling can be disabled. Each prescaler consists of a small, simple counter that counts to eight (or two) and rolls over. This counter can run faster than the larger counters, which simply count the rollovers of this smaller counter. Thus, the prescaler acts as a frequency divider on the Source and puts out a frequency that is one-eighth (or one-half) of what it is accepting as shown in the figure below.

Figure 47. Prescaling



Prescaling is intended to be used for frequency measurement where the measurement is made on a continuous, repetitive signal. The prescaling counter cannot be read; therefore, you cannot determine how many edges have occurred since the previous rollover. Prescaling can be used for event counting provided it is acceptable to have an error of up to seven (or one) ticks. Prescaling can be used when the counter Source is an external signal. Prescaling is not available if the counter Source is one of the internal timebases (80 MHz Timebase, 20 MHz Timebase, or 100 kHz Timebase).

Synchronization Modes

The 32-bit counter counts up or down synchronously with the Source signal. The Gate signal and other counter inputs are asynchronous to the Source signal, so the cRIO controller synchronizes these signals before presenting them to the internal counter.

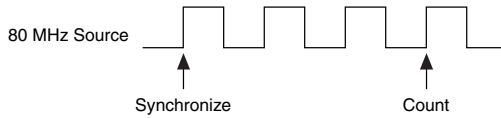
Depending on how you configure your controller, the cRIO controller uses one of two synchronization methods:

- [80 MHz Source Mode](#)
- [External or Internal Source Less than 20 MHz](#)

80 MHz Source Mode

In 80 MHz source mode, the controller synchronizes signals on the rising edge of the source, and counts on the third rising edge of the source. Edges are pipelined so no counts are lost, as shown in the figure below.

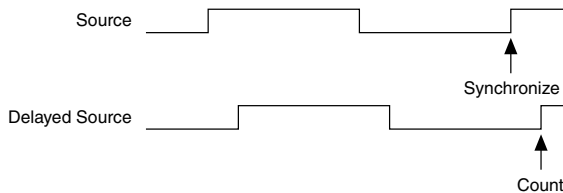
Figure 48. 80 MHz Source Mode



External or Internal Source Less than 20 MHz

With an external or internal source less than 20 MHz, the module generates a delayed Source signal by delaying the Source signal by several nanoseconds. The controller synchronizes signals on the rising edge of the delayed Source signal, and counts on the following rising edge of the source, as shown in the figure below.

Figure 49. External or Internal Source Less than 20 MHz



Counter Input Applications

The following sections list the various counter input applications available on the cRIO controller:

- [*Counting Edges*](#)
- [*Pulse-Width Measurement*](#)
- [*Pulse Measurement*](#)
- [*Semi-Period Measurement*](#)
- [*Frequency Measurement*](#)
- [*Period Measurement*](#)
- [*Position Measurement*](#)
- [*Two-Signal Edge-Separation Measurement*](#)

Counting Edges

In edge counting applications, the counter counts edges on its Source after the counter is armed. You can configure the counter to count rising or falling edges on its Source input. You

also can control the direction of counting (up or down), as described in the [Controlling the Direction of Counting](#) section. The counter values can be read on demand or with a sample clock.

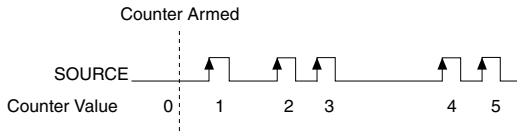
Refer to the following sections for more information about edge counting options:

- [Single Point \(On-Demand\) Edge Counting](#)
- [Buffered \(Sample Clock\) Edge Counting](#)

Single Point (On-Demand) Edge Counting

With single point (on-demand) edge counting, the counter counts the number of edges on the Source input after the counter is armed. On-demand refers to the fact that software can read the counter contents at any time without disturbing the counting process. The following figure shows an example of single point edge counting.

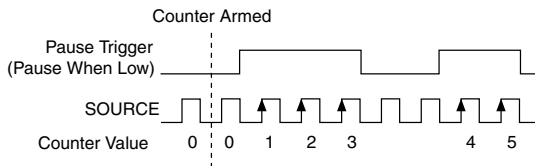
Figure 50. Single Point (On-Demand) Edge Counting



You also can use a pause trigger to pause (or gate) the counter. When the pause trigger is active, the counter ignores edges on its Source input. When the pause trigger is inactive, the counter counts edges normally.

You can route the pause trigger to the Gate input of the counter. You can configure the counter to pause counting when the pause trigger is high or when it is low. The following figure shows an example of on-demand edge counting with a pause trigger.

Figure 51. Single Point (On-Demand) Edge Counting with Pause Trigger



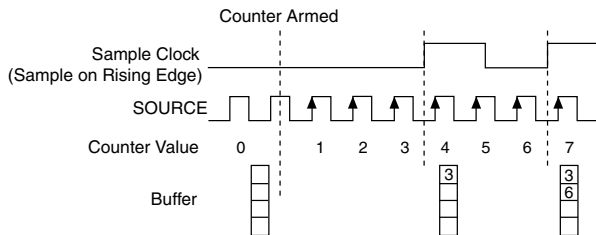
Buffered (Sample Clock) Edge Counting

With buffered edge counting (edge counting using a sample clock), the counter counts the number of edges on the Source input after the counter is armed. The value of the counter is sampled on each active edge of a sample clock and stored in the FIFO. The sampled values will be transferred to host memory using a high-speed data stream.

The count values returned are the cumulative counts since the counter armed event. That is, the sample clock does not reset the counter. You can configure the counter to sample on the rising or falling edge of the sample clock.

The following figure shows an example of buffered edge counting. Notice that counting begins when the counter is armed, which occurs before the first active edge on Sample Clock.

Figure 52. Buffered (Sample Clock) Edge Counting



Controlling the Direction of Counting

In edge counting applications, the counter can count up or down. You can configure the counter to do the following:

- Always count up
- Always count down
- Count up when the Counter 0 B input is high; count down when it is low

For information about connecting counter signals, refer to the [Default Counter/Timer Routing](#) section.

Pulse-Width Measurement

In pulse-width measurements, the counter measures the width of a pulse on its Gate input signal. You can configure the counter to measure the width of high pulses or low pulses on the Gate signal.

You can route an internal or external periodic clock signal (with a known period) to the Source input of the counter. The counter counts the number of rising (or falling) edges on the Source signal while the pulse on the Gate signal is active.

You can calculate the pulse width by multiplying the period of the Source signal by the number of edges returned by the counter.

A pulse-width measurement will be accurate even if the counter is armed while a pulse train is in progress. If a counter is armed while the pulse is in the active state, it will wait for the next transition to the active state to begin the measurement.

Refer to the following sections for more information about cRIO controller pulse-width measurement options:

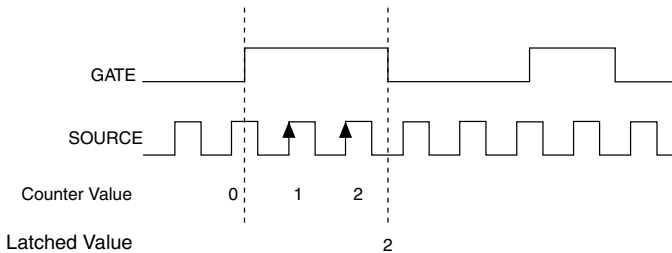
- [Single Pulse-Width Measurement](#)
- [Implicit Buffered Pulse-Width Measurement](#)
- [Sample Clocked Buffered Pulse-Width Measurement](#)

Single Pulse-Width Measurement

With single pulse-width measurement, the counter counts the number of edges on the Source input while the Gate input remains active. When the Gate input goes inactive, the counter stores the count in the FIFO and ignores other edges on the Gate and Source inputs. Software then reads the stored count.

The following figure shows an example of a single pulse-width measurement.

Figure 53. Single Pulse-Width Measurement



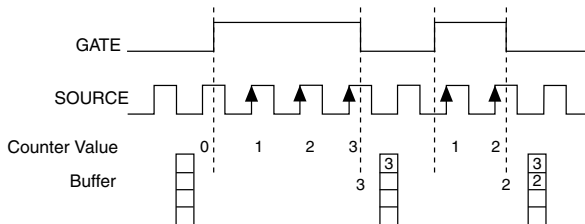
Implicit Buffered Pulse-Width Measurement

An implicit buffered pulse-width measurement is similar to single pulse-width measurement, but buffered pulse-width measurement takes measurements over multiple pulses.

The counter counts the number of edges on the Source input while the Gate input remains active. On each trailing edge of the Gate signal, the counter stores the count in the counter FIFO. The sampled values will be transferred to host memory using a high-speed data stream.

The following figure shows an example of an implicit buffered pulse-width measurement.

Figure 54. Implicit Buffered Pulse-Width Measurement



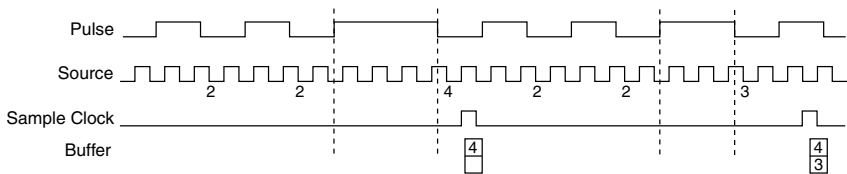
Sample Clocked Buffered Pulse-Width Measurement

A sample clocked buffered pulse-width measurement is similar to single pulse-width measurement, but buffered pulse-width measurement takes measurements over multiple pulses correlated to a sample clock.

The counter counts the number of edges on the Source input while the Gate input remains active. On each sample clock edge, the counter stores the count in the FIFO of the last pulse width to complete. The sampled values will be transferred to host memory using a high-speed data stream.

The following figure shows an example of a sample clocked buffered pulse-width measurement.

Figure 55. Sample Clocked Buffered Pulse-Width Measurement



Note If a pulse does not occur between sample clocks, an overrun error occurs.

For information about connecting counter signals, refer to the [Default Counter/Timer Routing](#) section.

Pulse Measurement

In pulse measurements, the counter measures the high and low time of a pulse on its Gate input signal after the counter is armed. A pulse is defined in terms of its high and low time, high and low ticks or frequency and duty cycle. This is similar to the pulse-width measurement, except that the inactive pulse is measured as well.

You can route an internal or external periodic clock signal (with a known period) to the Source input of the counter. The counter counts the number of rising (or falling) edges occurring on the Source input between two edges of the Gate signal.

You can calculate the high and low time of the Gate input by multiplying the period of the Source signal by the number of edges returned by the counter.

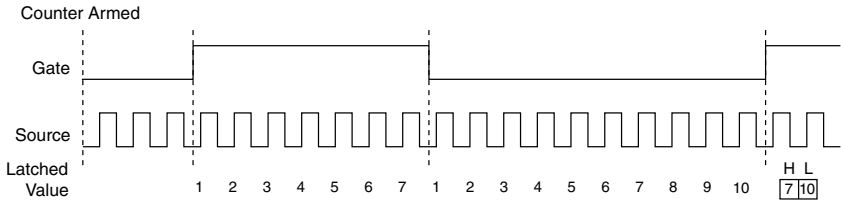
Refer to the following sections for more information about cRIO controller pulse measurement options:

- [Single Pulse Measurement](#)
- [Implicit Buffered Pulse Measurement](#)
- [Sample Clocked Buffered Pulse Measurement](#)

Single Pulse Measurement

Single (on-demand) pulse measurement is equivalent to two single pulse-width measurements on the high (H) and low (L) ticks of a pulse, as shown in the figure below.

Figure 56. Single (On-Demand) Pulse Measurement



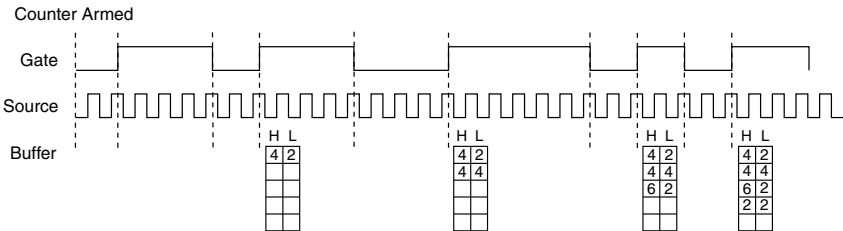
Implicit Buffered Pulse Measurement

In an implicit buffered pulse measurement, on each edge of the Gate signal, the counter stores the count in the FIFO. The sampled values will be transferred to host memory using a high-speed data stream.

The counter begins counting when it is armed. The arm usually occurs between edges on the Gate input but the counting does not start until the desired edge. You can select whether to read the high pulse or low pulse first using the **StartingEdge** property in NI-DAQmx.

The figure below shows an example of an implicit buffered pulse measurement.

Figure 57. Implicit Buffered Pulse Measurement



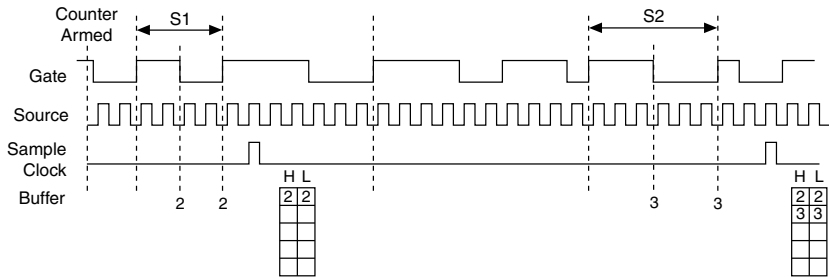
Sample Clocked Buffered Pulse Measurement

A sample clocked buffered pulse measurement is similar to single pulse measurement, but a buffered pulse measurement takes measurements over multiple pulses correlated to a sample clock.

The counter performs a pulse measurement on the Gate. On each sample clock edge, the counter stores the high and low ticks in the FIFO of the last pulse to complete. The sampled values will be transferred to host memory using a high-speed data stream.

The figure below shows an example of a sample clocked buffered pulse measurement.

Figure 58. Sample Clocked Buffered Pulse Measurement



Note If a pulse does not occur between sample clocks, an overrun error occurs.

For information about connecting counter signals, refer to the [Default Counter/Timer Routing](#) section.

Semi-Period Measurement

In semi-period measurements, the counter measures a semi-period on its Gate input signal after the counter is armed. A semi-period is the time between any two consecutive edges on the Gate input.

You can route an internal or external periodic clock signal (with a known period) to the Source input of the counter. The counter counts the number of rising (or falling) edges occurring on the Source input between two edges of the Gate signal.

You can calculate the semi-period of the Gate input by multiplying the period of the Source signal by the number of edges returned by the counter.

Refer to the following sections for more information about semi-period measurement options:

- [Single Semi-Period Measurement](#)
- [Implicit Buffered Semi-Period Measurement](#)

Refer to the [Pulse versus Semi-Period Measurements](#) section for information about the differences between semi-period measurement and pulse measurement.

Single Semi-Period Measurement

Single semi-period measurement is equivalent to single pulse-width measurement.

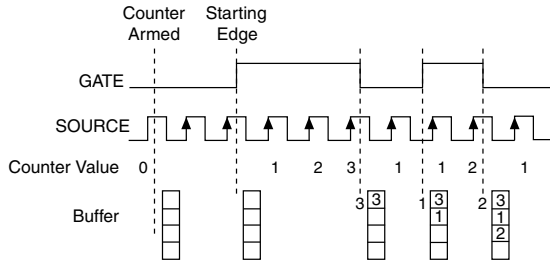
Implicit Buffered Semi-Period Measurement

In implicit buffered semi-period measurements, on each edge of the Gate signal, the counter stores the count in the FIFO. The sampled values will be transferred to host memory using a high-speed data stream.

The counter begins counting when it is armed. The arm usually occurs between edges on the Gate input. You can select whether to read the first active low or active high semi-period using the **CI.SemiPeriod.StartingEdge** property in NI-DAQmx.

The following figure shows an example of an implicit buffered semi-period measurement.

Figure 59. Implicit Buffered Semi-Period Measurement



For information about connecting counter signals, refer to the [Default Counter/Timer Routing](#) section.

Pulse versus Semi-Period Measurements

In hardware, pulse measurement and semi-period are the same measurement. Both measure the high and low times of a pulse. The functional difference between the two measurements is how the data is returned. In a semi-period measurement, each high or low time is considered one point of data and returned in units of seconds or ticks. In a pulse measurement, each pair of high and low times is considered one point of data and returned as a paired sample in units of frequency and duty cycle, high and low time or high and low ticks. When reading data, 10 points in a semi-period measurement will get an array of five high times and five low times. When you read 10 points in a pulse measurement, you get an array of 10 pairs of high and low times.

Also, pulse measurements support sample clock timing while semi-period measurements do not.

Frequency Measurement

You can use the counters to measure frequency in several different ways. Refer to the following sections for information about cRIO controller frequency measurement options:

- [Low Frequency with One Counter](#)
- [High Frequency with Two Counters](#)
- [Large Range of Frequencies with Two Counters](#)
- [Sample Clocked Buffered Frequency Measurement](#)

For more information about choosing the best frequency measurement option, refer to the [Choosing a Method for Measuring Frequency](#) and [Which Method is Best?](#) sections.

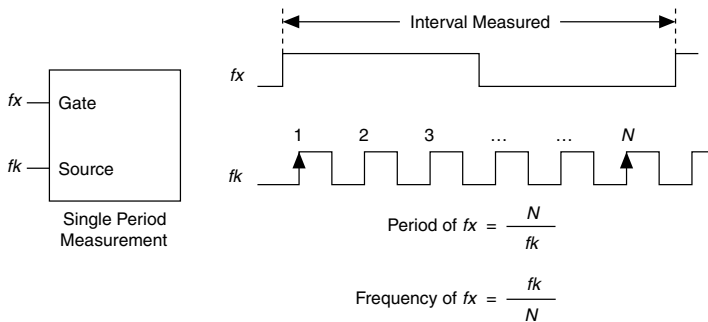
Low Frequency with One Counter

For low frequency measurements with one counter, you measure one period of your signal using a known timebase.

You can route the signal to measure (f_x) to the Gate of a counter. You can route a known timebase (f_k) to the Source of the counter. The known timebase can be an onboard timebase, such as 80 MHz Timebase, 20 MHz Timebase, or 100 kHz Timebase, or any other signal with a known rate.

You can configure the counter to measure one period of the gate signal. The frequency of f_x is the inverse of the period. The following figure illustrates this method.

Figure 60. Low Frequency with One Counter



High Frequency with Two Counters

For high frequency measurements with two counters, you measure one pulse of a known width using your signal and derive the frequency of your signal from the result.



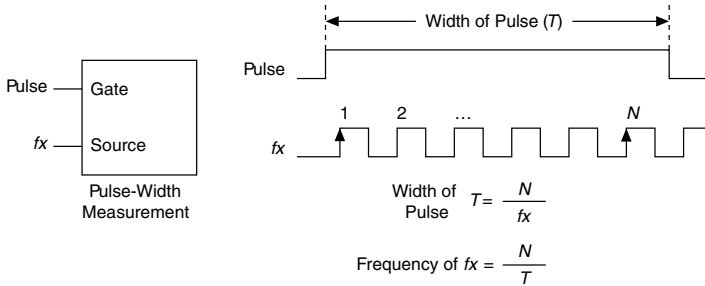
Note Counter 0 is always paired with Counter 1. Counter 2 is always paired with Counter 3.

In this method, you route a pulse of known duration (T) to the Gate of a counter. You can generate the pulse using a second counter. You also can generate the pulse externally and connect it to a PFI terminal. You only need to use one counter if you generate the pulse externally.

Route the signal to measure (f_x) to the Source of the counter. Configure the counter for a single pulse-width measurement. If you measure the width of pulse T to be N periods of f_x , the frequency of f_x is N/T .

The image below illustrates this method. Another option is to measure the width of a known period instead of a known pulse.

Figure 61. High Frequency with Two Counters



Large Range of Frequencies with Two Counters

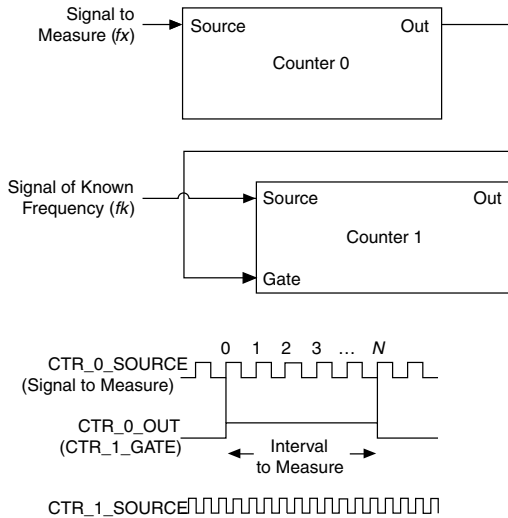
By using two counters, you can accurately measure a signal that might be high or low frequency. This technique is called reciprocal frequency measurement. When measuring a large range of frequencies with two counters, you generate a long pulse using the signal to measure. You then measure the long pulse with a known timebase. The cRIO controller can measure this long pulse more accurately than the faster input signal.



Note Counter 0 is always paired with Counter 1. Counter 2 is always paired with Counter 3.

You can route the signal to measure to the Source input of Counter 0, as shown in the following figure. Assume this signal to measure has frequency f_x . NI-DAQmx automatically configures Counter 0 to generate a single pulse that is the width of N periods of the source input signal.

Figure 62. Large Range of Frequencies with Two Counters



Next, route the Counter 0 Internal Output signal to the Gate input of Counter 1. You can route a signal of known frequency (f_k) to the Counter 1 Source input. Configure Counter 1 to perform a single pulse-width measurement. Suppose the result is that the pulse width is J periods of the f_k clock.

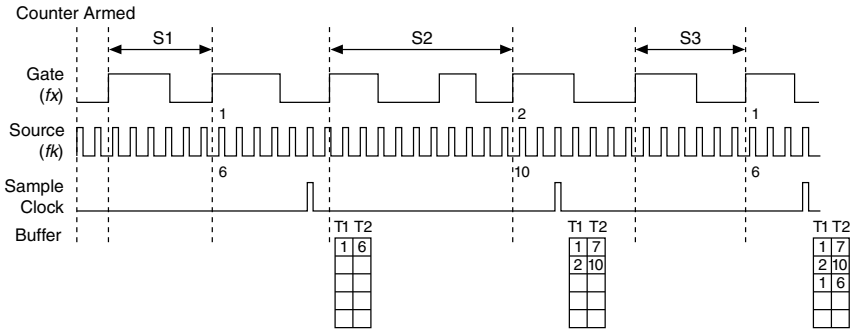
From Counter 0, the length of the pulse is N/f_x . From Counter 1, the length of the same pulse is J/f_k . Therefore, the frequency of f_x is given by $f_x = f_k * (N/J)$.

Sample Clocked Buffered Frequency Measurement

Sample clocked buffered point frequency measurements can either be a single frequency measurement or an average between sample clocks. Use **CI.Freq.EnableAveraging** to set the behavior. For buffered frequency, the default is True.

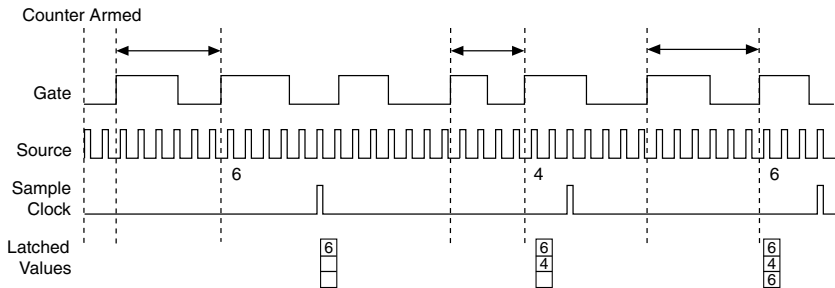
A sample clocked buffered frequency measurement with **CI.Freq.EnableAveraging** set to True uses the embedded counter and a sample clock to perform a frequency measurement. For each sample clock period, the embedded counter counts the signal to measure (f_x) and the primary counter counts the internal time-base of a known frequency (f_k). Suppose T_1 is the number of ticks of the unknown signal counted between sample clocks and T_2 is the number of ticks counted of the known timebase as shown in the following figure. The frequency measured is $f_x = f_k * (T_1/T_2)$.

Figure 63. Sample Clocked Buffered Frequency Measurement (Averaging)



When **CI.Freq.EnableAveraging** is set to False, the frequency measurement returns the frequency of the pulse just before the sample clock. This single measurement is a single frequency measurement and is not an average between clocks as shown in the following figure.

Figure 64. Sample Clocked Buffered Frequency Measurement (Non-Averaging)



With sample clocked frequency measurements, ensure that the frequency to measure is twice as fast as the sample clock to prevent a measurement overflow.

Choosing a Method for Measuring Frequency

The best method to measure frequency depends on several factors including the expected frequency of the signal to measure, the desired accuracy, how many counters are available, and how long the measurement can take. For all frequency measurement methods, assume the following:

f_x	is the frequency to be measured if no error
f_k	is the known source or gate frequency
<i>Measurement Time (T)</i>	is the time it takes to measure a single sample

Divide down (N)	is the integer to divide down measured frequency, only used in large range two counters
f_s	is the sample clock rate, only used in sample clocked frequency measurements

Here is how these variables apply to each method, summarized in the table below.

- *One counter*—With one counter measurements, a known timebase is used for the source frequency (f_k). The measurement time is the period of the frequency to be measured, or $1/f_x$.
- *Two counter high frequency*—With the two counter high frequency method, the second counter provides a known measurement time. The gate frequency equals $1/\text{measurement time}$.
- *Two counter large range*—The two counter larger range measurement is the same as a one counter measurement, but now the user has an integer divide down of the signal. An internal timebase is still used for the source frequency (f_k), but the divide down means that the measurement time is the period of the divided down signal, or N/f_x where N is the divide down.
- *Sample clocked*—For sample clocked frequency measurements, a known timebase is counted for the source frequency (f_k). The measurement time is the period of the sample clock (f_s).

Table 21. Frequency Measurement Methods

Variable	Sample Clocked	One Counter	Two Counters	
			High Frequency	Large Range
f_k	Known timebase	Known timebase	$\frac{1}{\text{gating period}}$	Known timebase
Measurement time	$\frac{1}{f_s}$	$\frac{1}{f_x}$	gating period	$\frac{N}{f_x}$
Max. frequency error	$f_x \times \frac{f_x}{f_k \times \left[\frac{f_x}{f_s} - 1 \right]}$	$f_x \times \frac{f_x}{f_k - f_x}$	f_k	$f_x \times \frac{f_x}{N \times f_k - f_x}$
Max. error %	$\frac{f_x}{f_k \times \left[\frac{f_x}{f_s} - 1 \right]}$	$\frac{f_x}{f_k - f_x}$	$\frac{f_k}{f_x}$	$\frac{f_x}{N \times f_k - f_x}$



Note Accuracy equations do not take clock stability into account. Refer to the specifications document for your chassis for information about clock stability.

Which Method Is Best?

This depends on the frequency to be measured, the rate at which you want to monitor the frequency and the accuracy you desire. Take for example, measuring a 50 kHz signal. Assuming that the measurement times for the sample clocked (with averaging) and two counter frequency measurements are configured the same, the following table summarizes the results.

Table 22. 50 kHz Frequency Measurement Methods

Variable	Sample Clocked	One Counter	Two Counters	
			High Frequency	Large Range
fx	50,000	50,000	50,000	50,000
fk	80 M	80 M	1,000	80 M
Measurement time (ms)	1	.02	1	1
N	—	—	—	—
Max. frequency error (Hz)	.638	31.27	1,000	.625
Max. error %	.00128	.0625	2	.00125

From this, you can see that while the measurement time for one counter is shorter, the accuracy is best in the sample clocked and two counter large range measurements. For another example, the following table shows the results for 5 MHz.

Table 23. 5 MHz Frequency Measurement Methods

Variable	Sample Clocked	One Counter	Two Counters	
			High Frequency	Large Range
fx	5 M	5 M	5 M	5 M
fk	80 M	80 M	1,000	80 M
Measurement time (ms)	1	.0002	1	1
N	—	—	—	5,000
Max. frequency error (Hz)	62.51	333 k	1,000	62.50
Max. error %	.00125	6.67	.02	.00125

Again, the measurement time for the one counter measurement is lowest but the accuracy is lower. Note that the accuracy and measurement time of the sample clocked and two counter

large range are almost the same. The advantage of the sample clocked method is that even when the frequency to measure changes, the measurement time does not and error percentage varies little. For example, if you configured a large range two-counter measurement to use a divide down of 50 for a 50 k signal, then you would get the accuracy measurement time and accuracy listed in the *50 kHz Frequency Measurement Methods* table. But if your signal ramped up to 5 M, then with a divide down of 50, your measurement time is 0.01 ms, but your error is now 0.125%. The error with a sample clocked frequency measurement is not as dependent on the measured frequency so at 50 k and 5 M with a measurement time of 1 ms the error percentage is still close to 0.00125%. One of the disadvantages of a sample clocked frequency measurement is that the frequency to be measured must be at least twice the sample clock rate to ensure that a full period of the frequency to be measured occurs between sample clocks.

- Low frequency measurements with one counter is a good method for many applications. However, the accuracy of the measurement decreases as the frequency increases.
- High frequency measurements with two counters is accurate for high frequency signals. However, the accuracy decreases as the frequency of the signal to measure decreases. At very low frequencies, this method may be too inaccurate for your application. Another disadvantage of this method is that it requires two counters (if you cannot provide an external signal of known width). An advantage of high frequency measurements with two counters is that the measurement completes in a known amount of time.
- Measuring a large range of frequencies with two counters measures high and low frequency signals accurately. However, it requires two counters, and it has a variable sample time and variable error % dependent on the input signal.

The following table summarizes some of the differences in methods of measuring frequency.

Table 24. 5 MHz Frequency Measurement Methods

Method Comparison	Sample Clocked (Averaged)	One Counter	Two Counters	
			High Frequency	Large Range
Number of counters used	1	1	1 or 2	2
Number of measurements returned	1	1	1	1
Measures high frequency signals accurately	Good	Poor	Good	Good
Measures low frequency signals accurately	Good	Good	Good	Poor

For information about connecting counter signals, refer to the [Default Counter/Timer Routing](#) section.

Period Measurement

In period measurements, the counter measures a period on its Gate input signal after the counter is armed. You can configure the counter to measure the period between two rising edges or two falling edges of the Gate input signal.

You can route an internal or external periodic clock signal (with a known period) to the Source input of the counter. The counter counts the number of rising (or falling) edges occurring on the Source input between the two active edges of the Gate signal.

You can calculate the period of the Gate input by multiplying the period of the Source signal by the number of edges returned by the counter.

Period measurements return the inverse results of frequency measurements. Refer to the [Frequency Measurement](#) section for more information.

Position Measurement

You can use the counters to perform position measurements with quadrature encoders or two-pulse encoders. You can measure angular position with X1, X2, and X4 angular encoders. Linear position can be measured with two-pulse encoders. You can choose to do either a single point (on-demand) position measurement or a buffered (sample clock) position measurement. You must arm a counter to begin position measurements.

Refer to the following sections for more information about the cRIO controller position measurement options:

- [Measurements Using Quadrature Encoders](#)
- [Measurements Using Two Pulse Encoders](#)
- [Buffered \(Sample Clock\) Position Measurement](#)

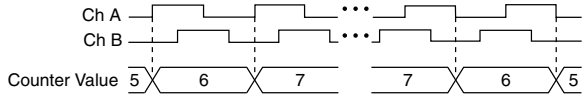
Measurements Using Quadrature Encoders

The counters can perform measurements of quadrature encoders that use X1, X2, or X4 encoding. A quadrature encoder can have up to three channels—channels A, B, and Z.

- *X1 Encoding*—When channel A leads channel B in a quadrature cycle, the counter increments. When channel B leads channel A in a quadrature cycle, the counter decrements. The amount of increments and decrements per cycle depends on the type of encoding—X1, X2, or X4.

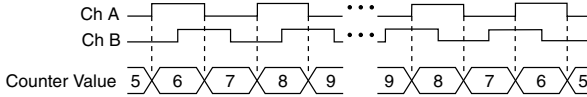
The following figure shows a quadrature cycle and the resulting increments and decrements for X1 encoding. When channel A leads channel B, the increment occurs on the rising edge of channel A. When channel B leads channel A, the decrement occurs on the falling edge of channel A.

Figure 65. X1 Encoding



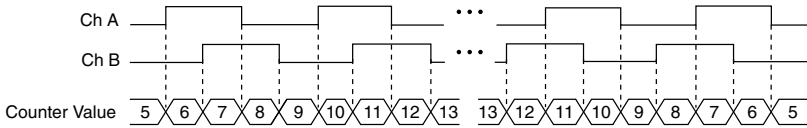
- *X2 Encoding*—The same behavior holds for X2 encoding except the counter increments or decrements on each edge of channel A, depending on which channel leads the other. Each cycle results in two increments or decrements, as shown in the following figure.

Figure 66. X2 Encoding



- *X4 Encoding*—Similarly, the counter increments or decrements on each edge of channels A and B for X4 encoding. Whether the counter increments or decrements depends on which channel leads the other. Each cycle results in four increments or decrements, as shown in the following figure.

Figure 67. X4 Encoding



Channel Z Behavior

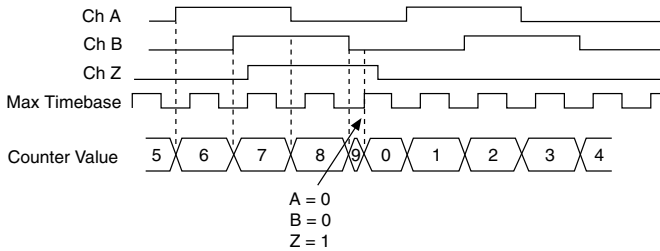
Some quadrature encoders have a third channel, channel Z, which is also referred to as the index channel. A high level on channel Z causes the counter to be reloaded with a specified value in a specified phase of the quadrature cycle. You can program this reload to occur in any one of the four phases in a quadrature cycle.

Channel Z behavior—when it goes high and how long it stays high—differs with quadrature encoder designs. You must refer to the documentation for your quadrature encoder to obtain timing of channel Z with respect to channels A and B. You must then ensure that channel Z is high during at least a portion of the phase you specify for reload. For instance, in the image below, channel Z is never high when channel A is high and channel B is low. Thus, the reload must occur in some other phase.

In the following figure, the reload phase is when both channel A and channel B are low. The reload occurs when this phase is true and channel Z is high. Incrementing and decrementing takes priority over reloading. Thus, when the channel B goes low to enter the reload phase, the increment occurs first. The reload occurs within one maximum timebase period after the

reload phase becomes true. After the reload occurs, the counter continues to count as before. The figure below illustrates channel Z reload with X4 decoding.

Figure 68. Channel Z Reload with X4 Decoding

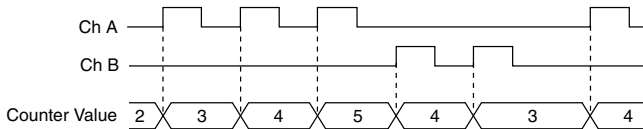


Measurements Using Two Pulse Encoders

The counter supports two pulse encoders that have two channels—channels A and B.

The counter increments on each rising edge of channel A. The counter decrements on each rising edge of channel B, as shown in the following figure.

Figure 69. Measurements Using Two Pulse Encoders



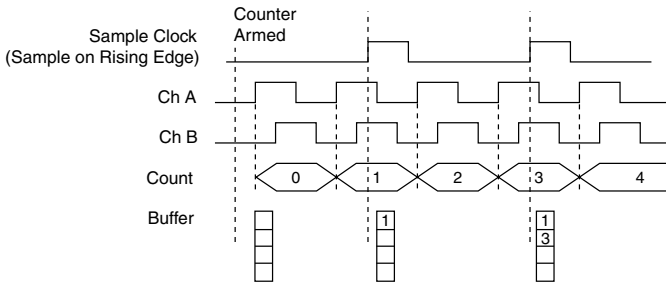
For information about connecting counter signals, refer to the [Default Counter/Timer Routing](#) section.

Buffered (Sample Clock) Position Measurement

With buffered position measurement (position measurement using a sample clock), the counter increments based on the encoding used after the counter is armed. The value of the counter is sampled on each active edge of a sample clock. The sampled values will be transferred to host memory using a high-speed data stream. The count values returned are the cumulative counts since the counter armed event; that is, the sample clock does not reset the counter. You can route the counter sample clock to the Gate input of the counter. You can configure the counter to sample on the rising or falling edge of the sample clock.

The figure below shows an example of a buffered X1 position measurement.

Figure 70. Buffered Position Measurement



Two-Signal Edge-Separation Measurement

Two-signal edge-separation measurement is similar to pulse-width measurement, except that there are two measurement signals—Aux and Gate. An active edge on the Aux input starts the counting and an active edge on the Gate input stops the counting. You must arm a counter to begin a two edge separation measurement.

After the counter has been armed and an active edge occurs on the Aux input, the counter counts the number of rising (or falling) edges on the Source. The counter ignores additional edges on the Aux input.

The counter stops counting upon receiving an active edge on the Gate input. The counter stores the count in the FIFO.

You can configure the rising or falling edge of the Aux input to be the active edge. You can configure the rising or falling edge of the Gate input to be the active edge.

Use this type of measurement to count events or measure the time that occurs between edges on two signals. This type of measurement is sometimes referred to as start/stop trigger measurement, second gate measurement, or A-to-B measurement.

Refer to the following sections for more information about the cRIO controller edge-separation measurement options:

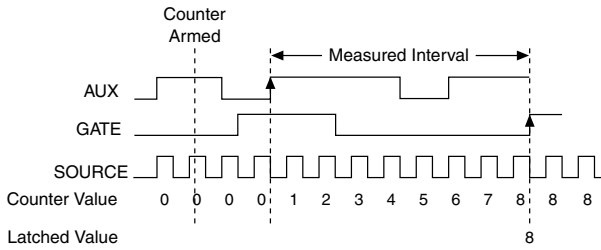
- [Single Two-Signal Edge-Separation Measurement](#)
- [Implicit Buffered Two-Signal Edge-Separation Measurement](#)
- [Sample Clocked Buffered Two-Signal Separation Measurement](#)

Single Two-Signal Edge-Separation Measurement

With single two-signal edge-separation measurement, the counter counts the number of rising (or falling) edges on the Source input occurring between an active edge of the Gate signal and an active edge of the Aux signal. The counter then stores the count in the FIFO and ignores other edges on its inputs. Software then reads the stored count.

The following figure shows an example of a single two-signal edge-separation measurement.

Figure 71. Single Two-Signal Edge-Separation Measurement



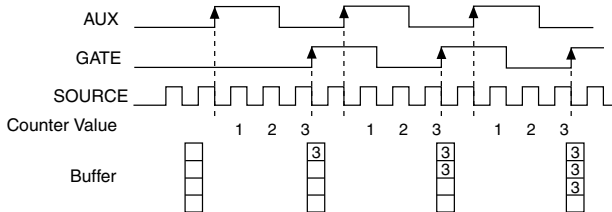
Implicit Buffered Two-Signal Edge-Separation Measurement

Implicit buffered and single two-signal edge-separation measurements are similar, but implicit buffered measurement measures multiple intervals.

The counter counts the number of rising (or falling) edges on the Source input occurring between an active edge of the Gate signal and an active edge of the Aux signal. The counter then stores the count in the FIFO. On the next active edge of the Gate signal, the counter begins another measurement. The sampled values will be transferred to host memory using a high-speed data stream.

The following figure shows an example of an implicit buffered two-signal edge-separation measurement.

Figure 72. Implicit Buffered Two-Signal Edge-Separation Measurement

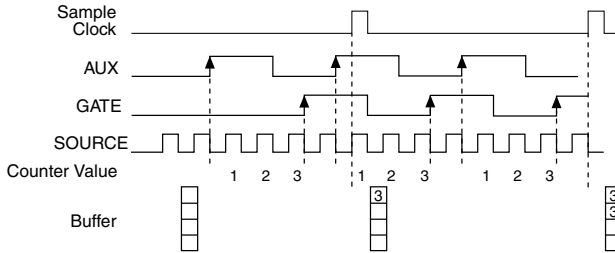


Sample Clocked Buffered Two-Signal Separation Measurement

A sample clocked buffered two-signal separation measurement is similar to single two-signal separation measurement, but buffered two-signal separation measurement takes measurements over multiple intervals correlated to a sample clock. The counter counts the number of rising (or falling) edges on the Source input occurring between an active edge of the Gate signal and an active edge of the Aux signal. The counter then stores the count in the FIFO on a sample clock edge. On the next active edge of the Gate signal, the counter begins another measurement. The sampled values will be transferred to host memory using a high-speed data stream.

The figure below shows an example of a sample clocked buffered two-signal separation measurement.

Figure 73. Sample Clocked Buffered Two-Signal Separation Measurement



Note If an active edge on the Gate and an active edge on the Aux does not occur between sample clocks, an overrun error occurs.

For information about connecting counter signals, refer to the [Default Counter/Timer Routing](#) section.

Counter Output Applications

The following sections list the various counter output applications available on the cRIO controller:

- [Simple Pulse Generation](#)
- [Pulse Train Generation](#)
- [Frequency Generation](#)
- [Frequency Division](#)
- [Pulse Generation for ETS](#)

Simple Pulse Generation

Refer to the following sections for more information about the cRIO controller simple pulse generation options:

- [Single Pulse Generation](#)
- [Single Pulse Generation with Start Trigger](#)

Single Pulse Generation

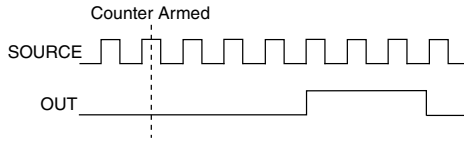
The counter can output a single pulse. The pulse appears on the Counter *n* Internal Output signal of the counter.

You can specify a delay from when the counter is armed to the beginning of the pulse. The delay is measured in terms of a number of active edges of the Source input.

You can specify a pulse width. The pulse width is also measured in terms of a number of active edges of the Source input. You also can specify the active edge of the Source input (rising or falling).

The following figure shows a generation of a pulse with a pulse delay of four and a pulse width of three (using the rising edge of Source).

Figure 74. Single Pulse Generation



Single Pulse Generation with Start Trigger

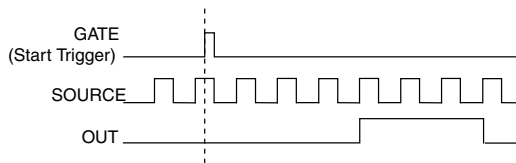
The counter can output a single pulse in response to one pulse on a hardware Start Trigger signal. The pulse appears on the Counter n Internal Output signal of the counter.

You can specify a delay from the Start Trigger to the beginning of the pulse. You also can specify the pulse width. The delay is measured in terms of a number of active edges of the Source input.

You can specify a pulse width. The pulse width is also measured in terms of a number of active edges of the Source input. You can also specify the active edge of the Source input (rising and falling).

The following figure shows a generation of a pulse with a pulse delay of four and a pulse width of three (using the rising edge of Source).

Figure 75. Single Pulse Generation with Start Trigger



Pulse Train Generation

Refer to the following sections for more information about the cRIO controller pulse train generation options:

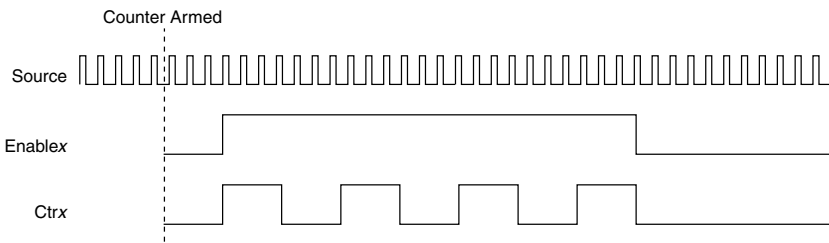
- [Finite Pulse Train Generation](#)
- [Retriggerable Pulse or Pulse Train Generation](#)
- [Continuous Pulse Train Generation](#)
- [Buffered Pulse Train Generation](#)

- *Finite Implicit Buffered Pulse Train Generation*
- *Continuous Buffered Implicit Pulse Train Generation*
- *Finite Buffered Sample Clocked Pulse Train Generation*
- *Continuous Buffered Sample Clocked Pulse Train Generation*

Finite Pulse Train Generation

This function generates a train of pulses with programmable frequency and duty cycle for a predetermined number of pulses. With cRIO controller counters, the primary counter generates the specified pulse train and the embedded counter counts the pulses generated by the primary counter. When the embedded counter reaches the specified tick count, it generates a trigger that stops the primary counter generation.

Figure 76. Finite Pulse Train Generation: Four Ticks Initial Delay, Four Pulses



Retriggerable Pulse or Pulse Train Generation

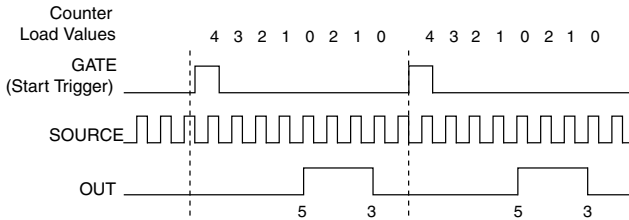
The counter can output a single pulse or multiple pulses in response to each pulse on a hardware Start Trigger signal. The generated pulses appear on the Counter n Internal Output signal of the counter.

You can route the Start Trigger signal to the Gate input of the counter. You can specify a delay from the Start Trigger to the beginning of each pulse. You also can specify the pulse width. The delay and pulse width are measured in terms of a number of active edges of the Source input. The initial delay can be applied to only the first trigger or to all triggers using the **CO.EnableInitialDelayOnRetrigger** property. The default for a single pulse is True, while the default for finite pulse trains is False.

The counter ignores the Gate input while a pulse generation is in progress. After the pulse generation is finished, the counter waits for another Start Trigger signal to begin another pulse generation. For retriggered pulse generation, pause triggers are not allowed since the pause trigger also uses the gate input.

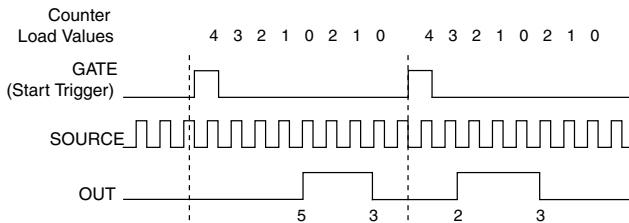
The figure below shows a generation of two pulses with a pulse delay of five and a pulse width of three (using the rising edge of Source) with **CO.EnableInitialDelayOnRetrigger** set to the default True.

Figure 77. Retriggerable Single Pulse Generation with Initial Delay on Retrigger



The figure below shows the same pulse train with **CO.EnableInitialDelayOnRetrigger** set to the default False.

Figure 78. Retriggerable Single Pulse Generation False



Note The minimum time between the trigger and the first active edge is two ticks of the source.

For information about connecting counter signals, refer to the [Default Counter/Timer Routing](#) section.

Continuous Pulse Train Generation

This function generates a train of pulses with programmable frequency and duty cycle. The pulses appear on the Counter *n* Internal Output signal of the counter.

You can specify a delay from when the counter is armed to the beginning of the pulse train. The delay is measured in terms of a number of active edges of the Source input.

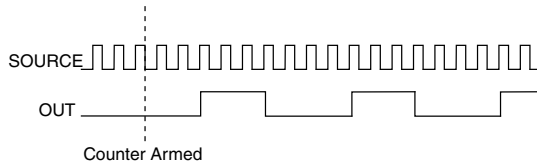
You specify the high and low pulse widths of the output signal. The pulse widths are also measured in terms of a number of active edges of the Source input. You also can specify the active edge of the Source input (rising or falling).

The counter can begin the pulse train generation as soon as the counter is armed, or in response to a hardware Start Trigger. You can route the Start Trigger to the Gate input of the counter.

You also can use the Gate input of the counter as a Pause Trigger (if it is not used as a Start Trigger). The counter pauses pulse generation when the Pause Trigger is active.

The figure below shows a continuous pulse train generation (using the rising edge of Source).

Figure 79. Continuous Pulse Train Generation



Continuous pulse train generation is sometimes called frequency division. If the high and low pulse widths of the output signal are M and N periods, then the frequency of the Counter n Internal Output signal is equal to the frequency of the Source input divided by $M + N$.

For information about connecting counter signals, refer to the [Default Counter/Timer Routing](#) section.

Buffered Pulse Train Generation

The cRIO controller counters can use the FIFO to perform a buffered pulse train generation. This pulse train can use implicit timing or sample clock timing. When using implicit timing, the pulse idle time and active time changes with each sample you write. With sample clocked timing, each sample you write updates the idle time and active time of your generation on each sample clock edge. Idle time and active time can also be defined in terms of frequency and duty cycle or idle ticks and active ticks.



Note On buffered implicit pulse trains, the pulse specifications in the DAQmx Create Counter Output Channel are ignored so that you generate the number of pulses defined in the multipoint write. On buffered sample clock pulse trains, the pulse specifications in the DAQmx Create Counter Output Channel are generated after the counters starts and before the first sample clock so that you generate the number of updates defined in the multipoint write.

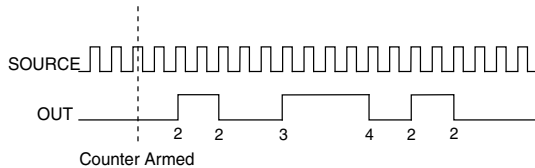
Finite Implicit Buffered Pulse Train Generation

This function generates a predetermined number of pulses with variable idle and active times. Each point you write generates a single pulse. The number of pairs of idle and active times (pulse specifications) you write determines the number of pulses generated. All points are generated back to back to create a user defined pulse train.

The following table and figure detail a finite implicit generation of three samples.

Table 25. Finite Implicit Buffered Pulse Train Generation

Sample	Idle Ticks	Active Ticks
1	2	2
2	3	4
3	2	2

Figure 80. Finite Implicit Buffered Pulse Train Generation

Continuous Buffered Implicit Pulse Train Generation

This function generates a continuous train of pulses with variable idle and active times. Instead of generating a set number of data samples and stopping, a continuous generation continues until you stop the operation. Each point you write generates a single pulse. All points are generated back to back to create a user defined pulse train.

Finite Buffered Sample Clocked Pulse Train Generation

This function generates a predetermined number of pulse train updates. Each point you write defines pulse specifications that are updated with each sample clock. When a sample clock occurs, the current pulse (idle followed by active) finishes generation and the next pulse updates with the next sample specifications.



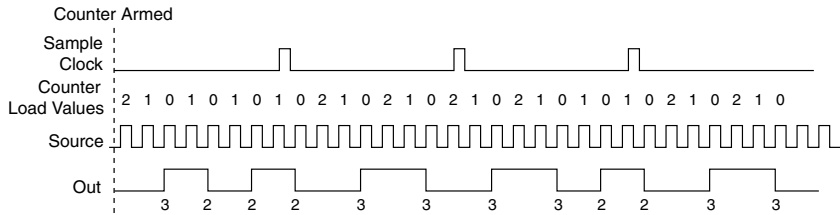
Note When the last sample is generated, the pulse train continues to generate with these specifications until the task is stopped.

The following table and figure detail a finite sample clocked generation of three samples where the pulse specifications from the create channel are two ticks idle, two ticks active, and three ticks initial delay.

Table 26. Finite Buffered Sample Clocked Pulse Train Generation

Sample	Idle Ticks	Active Ticks
1	3	3
2	2	2
3	3	3

Figure 81. Finite Buffered Sample Clocked Pulse Train Generation



There are several different methods of continuous generation that control what data is written. These methods are regeneration, FIFO regeneration, and non-regeneration modes.

Regeneration is the repetition of the data that is already in the buffer.

Standard regeneration is when data from the PC buffer is continually downloaded to the FIFO to be written out. New data can be written to the PC buffer at any time without disrupting the output. With FIFO regeneration, the entire buffer is downloaded to the FIFO and regenerated from there. Once the data is downloaded, new data cannot be written to the FIFO. To use FIFO regeneration, the entire buffer must fit within the FIFO size. The advantage of using FIFO regeneration is that it does not require communication with the main host memory once the operation is started, thereby preventing any problems that may occur due to excessive bus traffic.

With non-regeneration, old data is not repeated. New data must be continually written to the buffer. If the program does not write new data to the buffer at a fast enough rate to keep up with the generation, the buffer underflows and causes an error.

Continuous Buffered Sample Clocked Pulse Train Generation

This function generates a continuous train of pulses with variable idle and active times. Instead of generating a set number of data samples and stopping, a continuous generation continues until you stop the operation. Each point you write specifies pulse specifications that are updated with each sample clock. When a sample clock occurs, the current pulse finishes generation and the next pulse uses the next sample specifications.

Frequency Generation

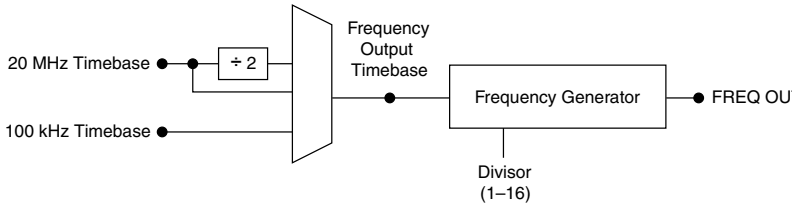
You can generate a frequency by using a counter in pulse train generation mode or by using the frequency generator circuit, as described in the *Using the Frequency Generator* section.

Using the Frequency Generator

The frequency generator can output a square wave at many different frequencies. The frequency generator is independent of the four general-purpose 32-bit counter/timer modules on the cRIO controller.

The following figure shows a block diagram of the frequency generator.

Figure 82. Frequency Generator Block Diagram

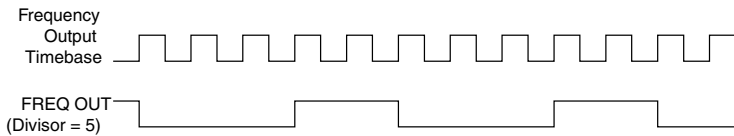


The frequency generator generates the Frequency Output signal. The Frequency Output signal is the Frequency Output Timebase divided by a number you select from 1 to 16. The Frequency Output Timebase can be either the 20 MHz Timebase, the 20 MHz Timebase divided by 2, or the 100 kHz Timebase.

The duty cycle of Frequency Output is 50% if the divisor is either 1 or an even number. For an odd divisor, suppose the divisor is set to D . In this case, Frequency Output is low for $(D + 1)/2$ cycles and high for $(D - 1)/2$ cycles of the Frequency Output Timebase.

The following figure shows the output waveform of the frequency generator when the divisor is set to 5.

Figure 83. Frequency Generator Output Waveform



Frequency Output can be routed out to any PFI terminal. All PFI terminals are set to high-impedance at startup. The FREQ OUT signal also can be routed to many internal timing signals.

In software, program the frequency generator as you would program one of the counters for pulse train generation.

For information about connecting counter signals, refer to the [Default Counter/Timer Routing](#) section.

Frequency Division

The counters can generate a signal with a frequency that is a fraction of an input signal. This function is equivalent to continuous pulse train generation. Refer to the [Continuous Pulse Train Generation](#) section for detailed information.

For information about connecting counter signals, refer to the [Default Counter/Timer Routing](#) section.

Pulse Generation for ETS

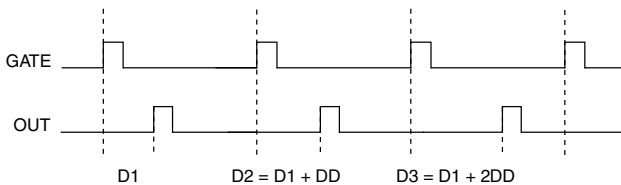
In the equivalent time sampling (ETS) application, the counter produces a pulse on the output a specified delay after an active edge on Gate. After each active edge on Gate, the counter cumulatively increments the delay between the Gate and the pulse on the output by a specified amount. Thus, the delay between the Gate and the pulse produced successively increases.

The increase in the delay value can be between 0 and 255. For instance, if you specify the increment to be 10, the delay between the active Gate edge and the pulse on the output increases by 10 every time a new pulse is generated.

Suppose you program your counter to generate pulses with a delay of 100 and pulse width of 200 each time it receives a trigger. Furthermore, suppose you specify the delay increment to be 10. On the first trigger, your pulse delay will be 100, on the second it will be 110, on the third it will be 120; the process will repeat in this manner until the counter is disarmed. The counter ignores any Gate edge that is received while the pulse triggered by the previous Gate edge is in progress.

The waveform thus produced at the counter's output can be used to provide timing for undersampling applications where a digitizing system can sample repetitive waveforms that are higher in frequency than the Nyquist frequency of the system. The following figure shows an example of pulse generation for ETS; the delay from the trigger to the pulse increases after each subsequent Gate active edge.

Figure 84. Pulse Generation for ETS



For information about connecting counter signals, refer to the [Default Counter/Timer Routing](#) section.

Counter Timing Signals

The cRIO controller features the following counter timing signals:

- [Counter \$n\$ Source Signal](#)
- [Counter \$n\$ Gate Signal](#)
- [Counter \$n\$ Aux Signal](#)
- [Counter \$n\$ A, Counter \$n\$ B, and Counter \$n\$ Z Signals](#)
- [Counter \$n\$ Up_Down Signal](#)
- [Counter \$n\$ HW Arm Signal](#)
- [Counter \$n\$ Sample Clock Signal](#)

- [Counter *n* Internal Output and Counter *n* TC Signals](#)
- [Frequency Output Signal](#)

In this section, *n* refers to the cRIO controller Counter 0, 1, 2, or 3. For example, Counter *n* Source refers to four signals—Counter 0 Source (the source input to Counter 0), Counter 1 Source (the source input to Counter 1), Counter 2 Source (the source input to Counter 2), or Counter 3 Source (the source input to Counter 3).



Note Note All counter timing signals can be filtered. Refer to the [PFI Filters](#) section for more information.

Counter *n* Source Signal

The selected edge of the Counter *n* Source signal increments and decrements the counter value depending on the application the counter is performing. The following table lists how this terminal is used in various applications.

Table 27. Counter Applications and Counter *n* Source

Application	Purpose of Source Terminal
Pulse Generation	Counter Timebase
One Counter Time Measurements	Counter Timebase
Two Counter Time Measurements	Input Terminal
Non-Buffered Edge Counting	Input Terminal
Buffered Edge Counting	Input Terminal
Two-Edge Separation	Counter Timebase

Routing a Signal to Counter *n* Source

Each counter has independent input selectors for the Counter *n* Source signal. Any of the following signals can be routed to the Counter *n* Source input:

- 80 MHz Timebase
- 20 MHz Timebase
- 13.1072 MHz Timebase
- 12.8 MHz Timebase
- 10 MHz Timebase
- 100 kHz Timebase
- Any PFI terminal
- Analog Comparison Event
- Change Detection Event

In addition, TC or Gate from a counter can be routed to a different counter source.

Some of these options may not be available in some driver software. Refer to the "Device Routing in MAX" topic in the *NI-DAQmx Help* or the *LabVIEW Help* for more information about available routing options.

Routing Counter n Source to an Output Terminal

You can route Counter n Source out to any PFI terminal.

Counter n Gate Signal

The Counter n Gate signal can perform many different operations depending on the application including starting and stopping the counter, and saving the counter contents.

Routing a Signal to Counter n Gate

Each counter has independent input selectors for the Counter n Gate signal. Any of the following signals can be routed to the Counter n Gate input:

- Any PFI terminal
- AI Reference Trigger
- AI Start Trigger
- AO Sample Clock
- DI Sample Clock
- DI Reference Trigger
- DO Sample Clock
- Change Detection Event
- Analog Comparison Event

In addition, a counter's Internal Output or Source can be routed to a different counter's gate.

Some of these options may not be available in some driver software. Refer to the "Device Routing in MAX" topic in the *NI-DAQmx Help* or the *LabVIEW Help* for more information about available routing options.

Routing Counter n Gate to an Output Terminal

You can route Counter n Gate out to any PFI terminal.

Counter n Aux Signal

The Counter n Aux signal indicates the first edge in a two-signal edge-separation measurement.

Routing a Signal to Counter n Aux

Each counter has independent input selectors for the Counter n Aux signal. Any of the following signals can be routed to the Counter n Aux input:

- Any PFI terminal
- AI Reference Trigger
- AI Start Trigger

- Analog Comparison Event
- Change Detection Event

In addition, a counter's Internal Output, Gate or Source can be routed to a different counter's Aux. A counter's own gate can also be routed to its Aux input.

Some of these options may not be available in some driver software. Refer to the "Device Routing in MAX" topic in the *NI-DAQmx Help* or the *LabVIEW Help* for more information about available routing options.

Counter n A, Counter n B, and Counter n Z Signals

Counter n B can control the direction of counting in edge counting applications. Use the A, B, and Z inputs to each counter when measuring quadrature encoders or measuring two pulse encoders.

Routing Signals to A, B, and Z Counter Inputs

Each counter has independent input selectors for each of the A, B, and Z inputs. Any of the following signals can be routed to each input:

- Any PFI terminal
- Analog Comparison Event

Routing Counter n Z Signal to an Output Terminal

You can route Counter n Z out to any PFI terminal.

Counter n Up_Down Signal

Counter n Up_Down is another name for the Counter n B signal.

Counter n HW Arm Signal

The Counter n HW Arm signal enables a counter to begin an input or output function.

To begin any counter input or output function, you must first enable, or arm, the counter. In some applications, such as a buffered edge count, the counter begins counting when it is armed. In other applications, such as single pulse-width measurement, the counter begins waiting for the Gate signal when it is armed. Counter output operations can use the arm signal in addition to a start trigger.

Software can arm a counter or configure counters to be armed on a hardware signal. Software calls this hardware signal the Arm Start Trigger. Internally, software routes the Arm Start Trigger to the Counter n HW Arm input of the counter.

Routing Signals to Counter n HW Arm Input

Any of the following signals can be routed to the Counter n HW Arm input:

- Any PFI terminal
- AI Reference Trigger
- AI Start Trigger

- Analog Comparison Event
- Change Detection Event

A counter's Internal Output can be routed to a different counter's HW Arm.

Some of these options may not be available in some driver software. Refer to the "Device Routing in MAX" topic in the *NI-DAQmx Help* or the *LabVIEW Help* for more information about available routing options.

Counter n Sample Clock Signal

Use the Counter n Sample Clock (Ctr n SampleClock) signal to perform sample clocked acquisitions and generations.

You can specify an internal or external source for Counter n Sample Clock. You also can specify whether the measurement sample begins on the rising edge or falling edge of Counter n Sample Clock.

If the cRIO controller receives a Counter n Sample Clock when the FIFO is full, it reports an overflow error to the host software.

Using an Internal Source

To use Counter n Sample Clock with an internal source, specify the signal source and the polarity of the signal. The source can be any of the following signals:

- DI Sample Clock
- DO Sample Clock
- AI Sample Clock
- AI Convert Clock
- AO Sample Clock
- DI Change Detection output

Several other internal signals can be routed to Counter n Sample Clock through internal routes. Refer to "Device Routing in MAX" in the *NI-DAQmx Help* or the *LabVIEW Help* for more information.

Using an External Source

You can route any of the following signals as Counter n Sample Clock:

- Any PFI terminal
- Analog Comparison Event

You can sample data on the rising or falling edge of Counter n Sample Clock.

Routing Counter n Sample Clock to an Output Terminal

You can route Counter n Sample Clock out to any PFI terminal. The PFI circuitry inverts the polarity of Counter n Sample Clock before driving the PFI terminal.

Counter n Internal Output and Counter n TC Signals

The Counter n Internal Output signal changes in response to Counter n TC.

The two software-selectable output options are pulse output on TC and toggle output on TC. The output polarity is software-selectable for both options.

With pulse or pulse train generation tasks, the counter drives the pulse(s) on the Counter n Internal Output signal. The Counter n Internal Output signal can be internally routed to be a counter/timer input or an “external” source for AI, AO, DI, or DO timing signals.

Routing Counter n Internal Output to an Output Terminal

You can route Counter n Internal Output to any PFI terminal.

Frequency Output Signal

The Frequency Output (FREQ OUT) signal is the output of the frequency output generator.

Routing Frequency Output to a Terminal

You can route Frequency Output to any PFI terminal.

Worldwide Support and Services

The NI website is your complete resource for technical support. At ni.com/support, you have access to everything from troubleshooting and application development self-help resources to email and phone assistance from NI Application Engineers.

Visit ni.com/services for information about the services NI offers.

Visit ni.com/register to register your NI product. Product registration facilitates technical support and ensures that you receive important information updates from NI.

NI corporate headquarters is located at 11500 North Mopac Expressway, Austin, Texas, 78759-3504. NI also has offices located around the world. For support in the United States, create your service request at ni.com/support or dial 1 866 ASK MYNI (275 6964). For support outside the United States, visit the *Worldwide Offices* section of ni.com/niglobal to access the branch office websites, which provide up-to-date contact information.

Information is subject to change without notice. Refer to the *NI Trademarks and Logo Guidelines* at ni.com/trademarks for information on NI trademarks. Other product and company names mentioned herein are trademarks or trade names of their respective companies. For patents covering NI products/technology, refer to the appropriate location: **Help>Patents** in your software, the `patents.txt` file on your media, or the *National Instruments Patent Notice* at ni.com/patents. You can find information about end-user license agreements (EULAs) and third-party legal notices in the readme file for your NI product. NI MAKES NO EXPRESS OR IMPLIED WARRANTIES AS TO THE ACCURACY OF THE INFORMATION CONTAINED HEREIN AND SHALL NOT BE LIABLE FOR ANY ERRORS. U.S. Government Customers: The data contained in this manual was developed at private expense and is subject to the applicable limited rights and restricted data rights as set forth in FAR 52.227-14, DFAR 252.227-7014, and DFAR 252.227-7015.