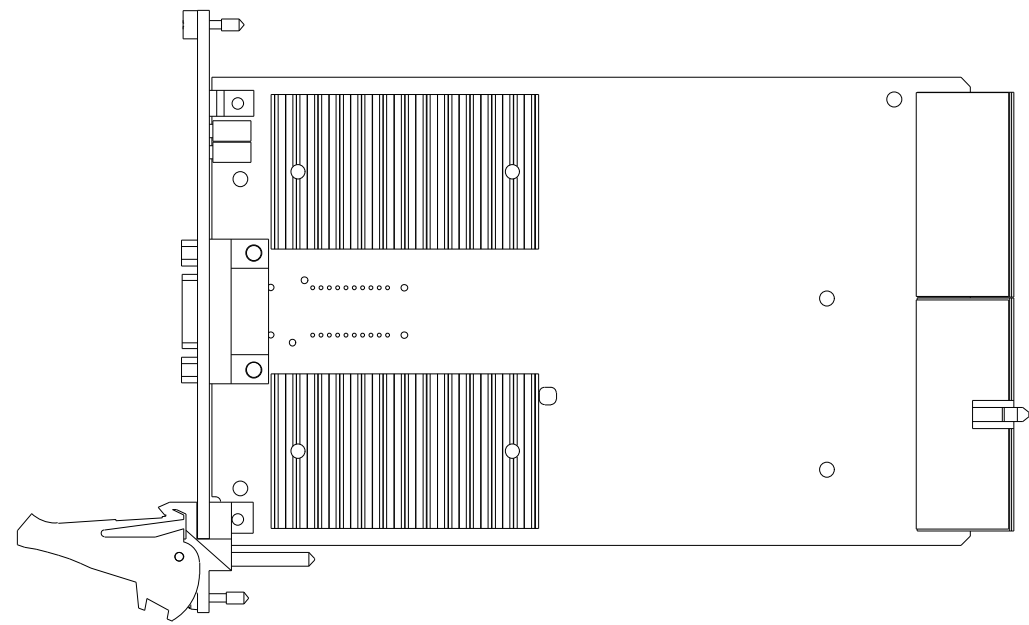
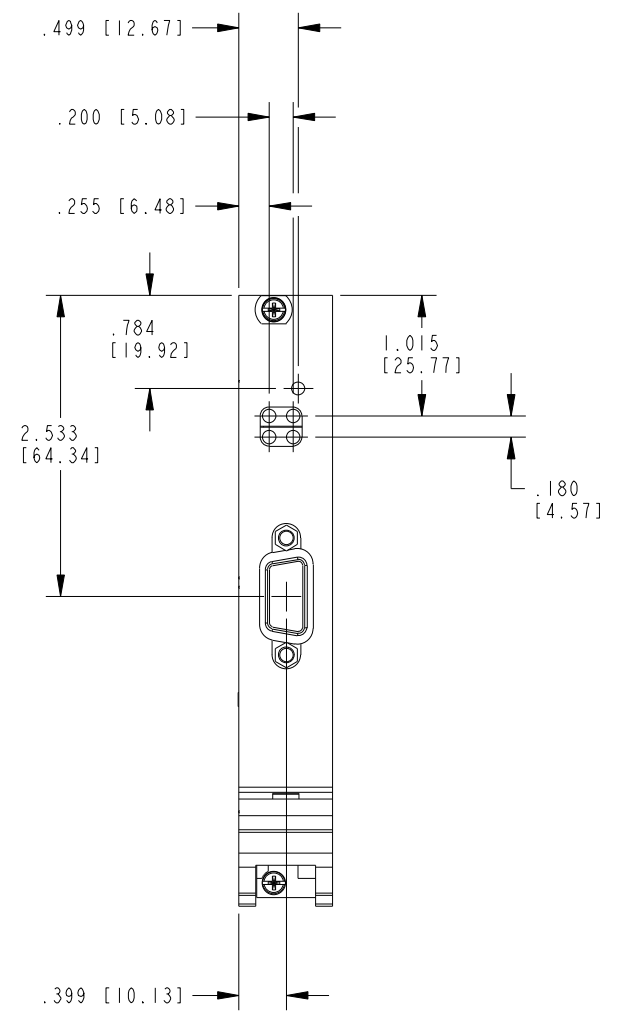


D
C
B
A

D
C
B
A



NOTES: UNLESS OTHERWISE SPECIFIED.

CUSTOMER DRAWING

UNLESS OTHERWISE SPECIFIED DIMENSIONS ARE IN INCHES AND [MILLIMETERS].	NATIONAL INSTRUMENTS® AUSTIN, TEXAS	
	TITLE	
DO NOT SCALE DRAWING	CUSTOMER DRAWING, PXI-8331	
THIRD ANGLE PROJECTION	SIZE CODE IDENT NO. MM/DD/YYYY C 7U296 05/05/08	
	SCALE: 1/1	SHEET OF

